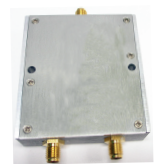


# 2 Way Power Divider

## ABPDC-2-S-698-2700MHz

RoHS/ RoHS II compliant



75.6 x 54.0 x 16.2mm

MSL level: Not Applicable

### FEATURES:

- 698-2700MHz Multi - Band Frequency Range
- 5 & 10 W Power Rating
- Low RF Insertion Loss
- Impedance: 50Ω
- Connectors: SMA(f)
- Housing : Aluminum

### TYPICAL APPLICATIONS:

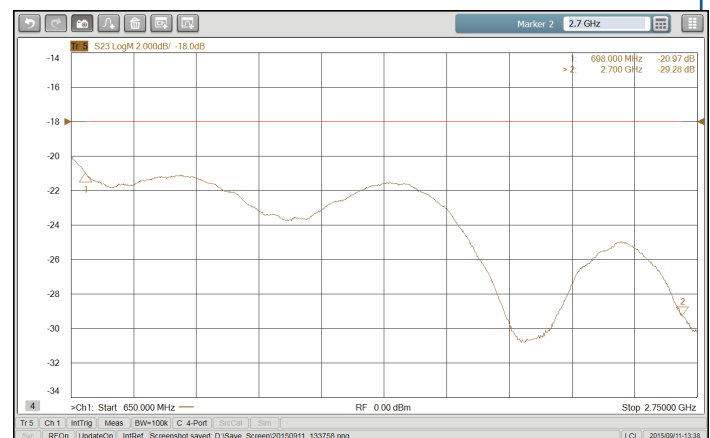
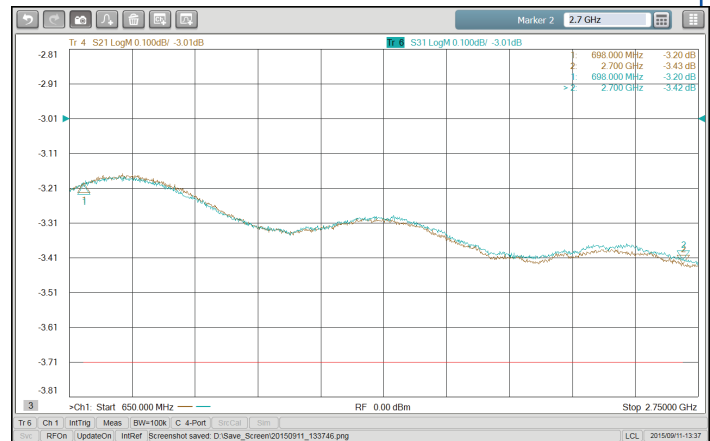
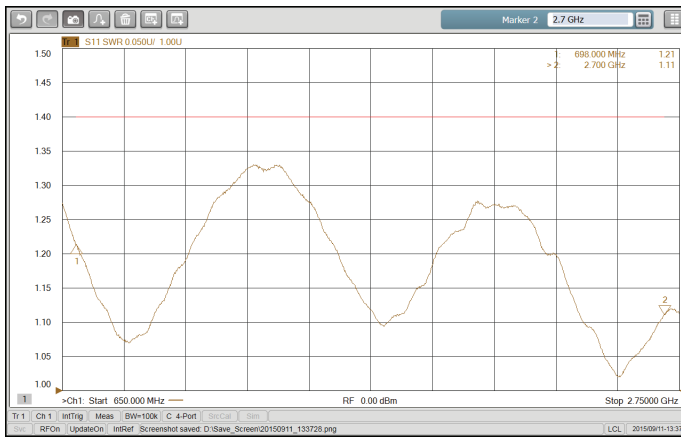
- Provides a signal sample for measurement or monitoring
- Combines feeds to and from antenna
- Antenna beam forming
- Multiband antennas and leaky cable systems such as UMTS or DAS connection

### STANDARD SPECIFICATIONS:

Parameters	Min.	Typ.	Max.	Units	Note
Receiving Frequency Range	698		2700	MHz	
Input VSWR		1.3	1.4		
Output VSWR		1.2	1.3		
Insertion Loss			0.7	dB	(In addition to 3.01 dB theoretical 2-way split loss.)
Output Isolation	18	20		dB	
Power Rating		10		W	
Operating Temperature	-40		+85	°C	

### SAMPLE TEST PLOTS:

#### Port 1: IN, Port 2: OUT1, Port 3: OUT2



ABRACON IS  
ISO9001:2008  
CERTIFIED

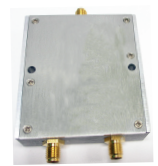


2 Faraday, Suite# B | Irvine | CA 92618 Revised: 12.04.15  
Ph. 949.546.8000 | Fax. 949.546.8001  
Visit [www.abracon.com](http://www.abracon.com) for Terms and Conditions of Sale

# 2 Way Power Divider

**ABPDC-2-S-698-2700MHz**

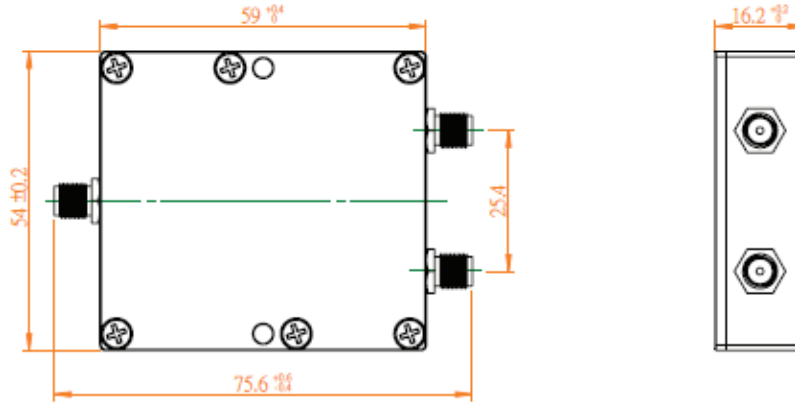
RoHS/ RoHS II compliant



75.6 x 54.0 x 16.2mm

MSL level: Not Applicable

## OUTLINE DIMENSION:

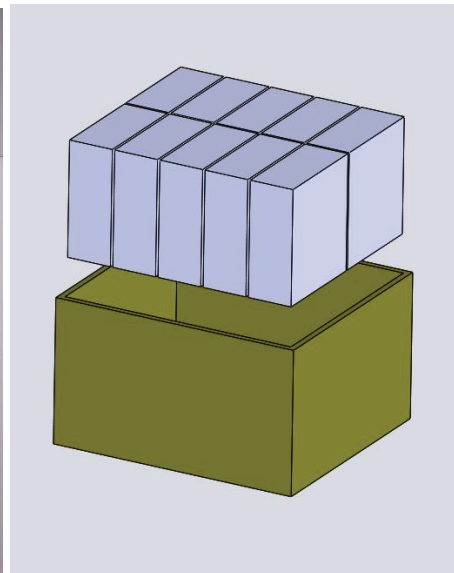


Item	Description
Number of outputs	2
RF Connector Type	SMA-Female
Weight	105.5g

Dimension: mm

## PACKAGING:

Each part is individually wrapped in a 113 x 77 x 20mm flip-top box. Each 168 x 120 x 133mm outer box contains 10 flip-top boxes.



**ATTENTION:** Abracon Corporation's products are COTS – Commercial-Off-The-Shelf products; suitable for Commercial, Industrial and, where designated, Automotive Applications. Abracon's products are not specifically designed for Military, Aviation, Aerospace, Life-dependant Medical applications or any application requiring high reliability where component failure could result in loss of life and/or property. For applications requiring high reliability and/or presenting an extreme operating environment, written consent and authorization from Abracon Corporation is required. Please contact Abracon Corporation for more information.

ABRACON IS  
ISO9001:2008  
CERTIFIED

**ABRACON**<sup>®</sup> LLC  
The Power of Linking Together

2 Faraday, Suite# B | Irvine | CA 92618 Revised: 12.04.15  
Ph. 949.546.8000 | Fax. 949.546.8001  
Visit [www.abracon.com](http://www.abracon.com) for Terms and Conditions of Sale