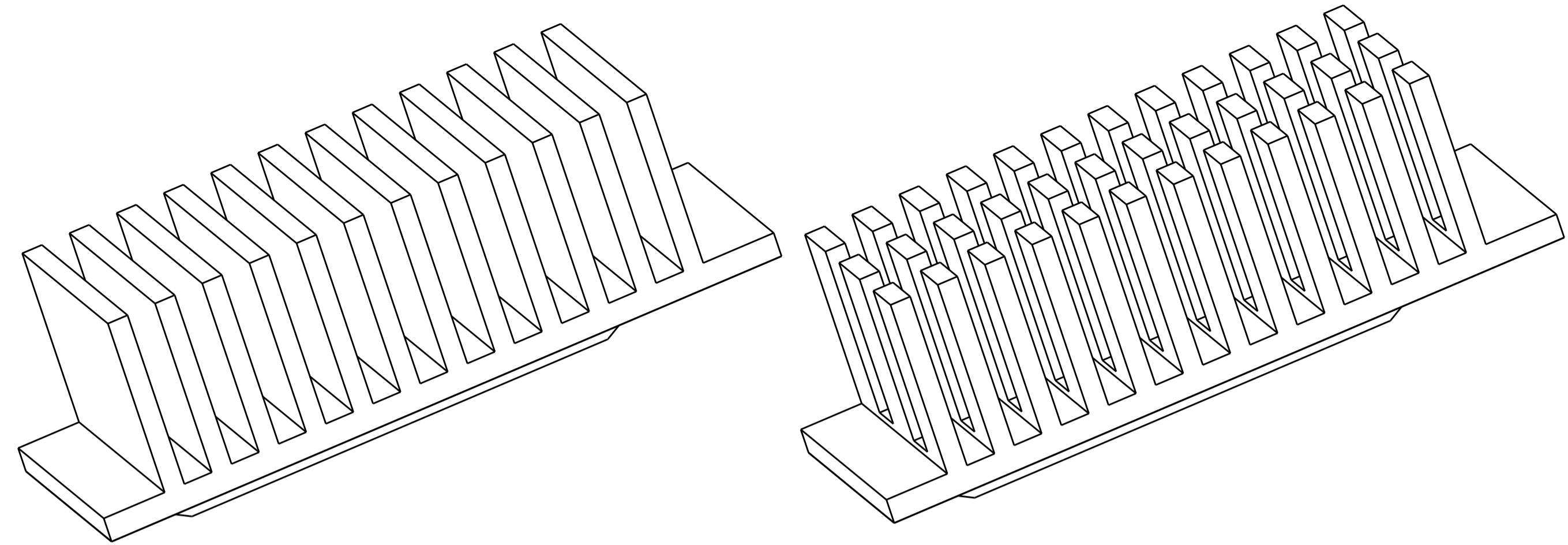


LOC		DIST		REVISIONS			
P	LTN	DESCRIPTION	DATE	DWN	APVD		
1		PRELIMINARY	17AUG2012	JY	AC		

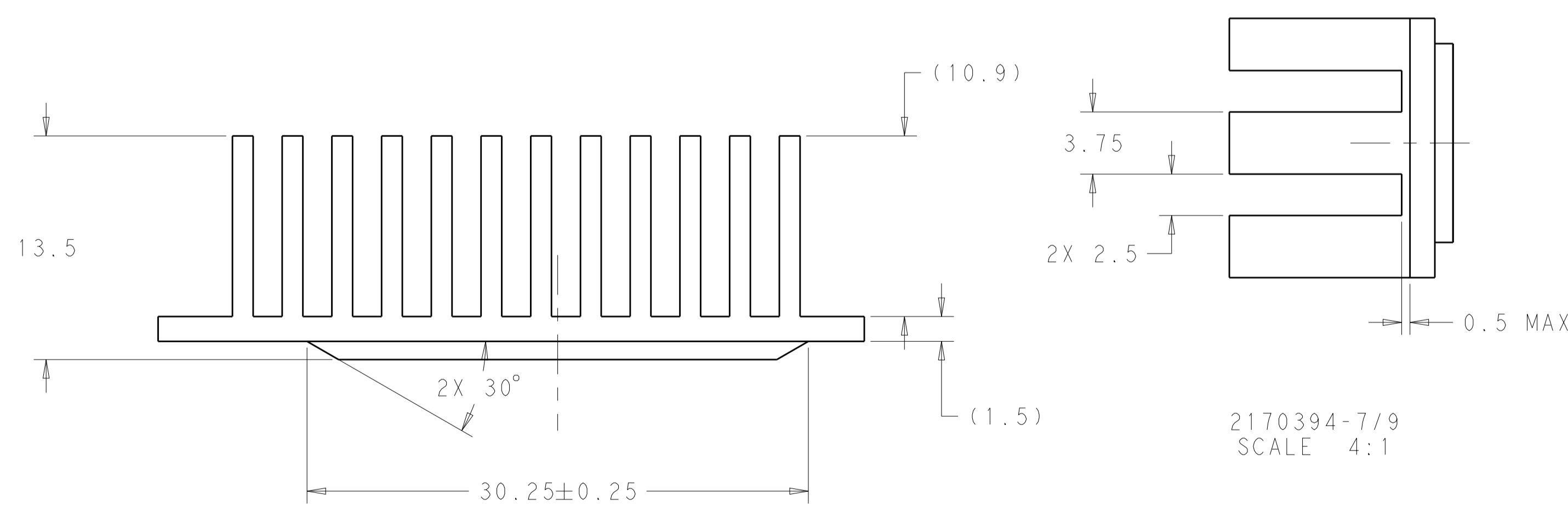
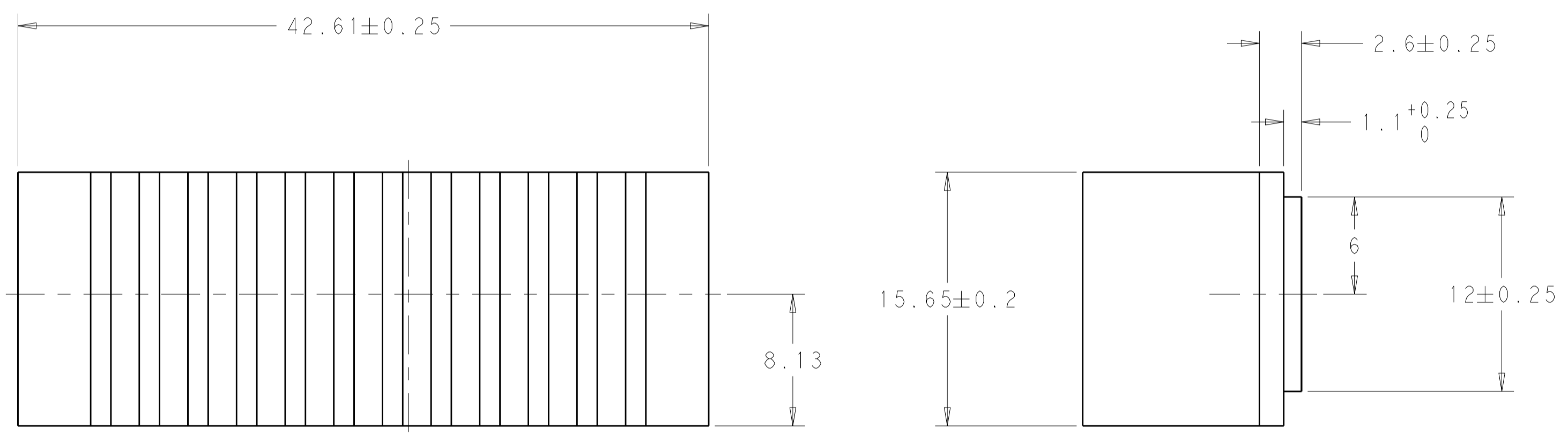


2170394-2/4
 WO LIGHT PIPE SLOTS
 SCALE 4:1

2170394-7/9
 W LIGHT PIPE SLOTS
 SCALE 4:1

NOTES:

- UNLESS OTHERWISE SPECIFIED
- ① MATERIAL: ALUMINUM.
- ② FINISH: ANODIZED BLACK.
- ③ FINISH: NICKEL PLATED.
- 4. INTERPRET DRAWING PER ASME Y14.5M - 1994.
- 5. 0,2mm MAX BURR.
- 6. VARIATION IN PLATING COLOR IS NORMAL AND ALLOWED.
- 7. RoHS COMPLIANT AND CERTIFIED.



2170394-7/9
 SCALE 4:1

FINISH	DESCRIPTION	PART NUMBER
③	SALE PART	2170394-9
②	SALE PART	2170394-7
③	SALE PART	2170394-4
②	SALE PART	2170394-2

THIS DRAWING IS A CONTROLLED DOCUMENT.		DWN: JASON YANG 17AUG2012		<p>PRELIMINARY</p>
DIMENSIONS: mm		CHK: ALEX CAI 17AUG2012		
TOLERANCES UNLESS OTHERWISE SPECIFIED:		APVD: ALEX CAI 17AUG2012		
0 PLC ±0.5 1 PLC ±0.5 2 PLC ±0.25 3 PLC ± 4 PLC ± ANGLES ±		NAME: HEAT SINK, 13.5MM TALL, QSFP CAGE, GANGED		
MATERIAL: -	FINISH: -	WEIGHT: -	SIZE: A1	CAGE CODE: 00779
CUSTOMER DRAWING		SCALE: 4:1	SHEET: 1	OF: 1