

The VC-TXO-39SMX is a VC (Voltage Controlled) TCXO (Temperature Compensated Crystal Oscillator) featuring very tight stability over a wide temperature range. The small SMD ceramic package measures 11.4 x 9.6 x 2.3 mm. The voltage control has a tuning range of  $\pm 12$  ppm typical. The low profile package is ideal for wireless communications applications.

## FEATURES

- Highly stable output
- RoHS Compliant (PB Free)
- Voltage control function
- Tape and Reel (500 pcs)

## PART NUMBERING GUIDE

SERIES	FREQUENCY	STABILITY / TEMPERATURE OPTION
VC-TXO-39SMX	- 128	- A

Sample Part Number: VC-TXO-39SMX-128-A, 128=12.8 MHz, A= $\pm 1.5$  ppm -20 to +75°C

## STANDARD FREQUENCIES

10.000, 13.000, 16.800 AND 19.440 MHz

## OPERATING CONDITIONS/ELECTRICAL CHARACTERISTICS

PARAMETERS	CONDITIONS	VC-TXO-39SMX (3V)			UNITS
		MIN	TYP	MAX	
FREQUENCY RANGE		10.000		19.440	MHz
FREQUENCY STABILITY/TEMP	Operating Temperature				
STANDARD	-30 ~ +75°C			$\pm 2.5$	PPM
OPTION A	-20 ~ +75°C			+1.5	PPM
SUPPLY VOLTAGE CHANGE	+3V $\pm 5\%$			+0.3	PPM
LOAD CHANGE	10k $\Omega$ $\pm 10\%$ / 10pF $\pm 10\%$			+0.3	PPM
AGING	First Year @ +25°C			$\pm 1$	PPM
STORAGE TEMPERATURE		-40		+85	°C
SUPPLY VOLTAGE	+3.0 V DC Nominal	+2.85	+3.0	+3.15	V DC
CURRENT CONSUMPTION	10k $\Omega$ $\pm 10\%$ / 10pF $\pm 10\%$			1.5	mA
OUTPUT VOLTAGE	Clipped sine wave (DC-Cut)	0.8			Vp-p
OUTPUT LOAD	10k $\Omega$ $\pm 10\%$ / 10pF $\pm 10\%$				
FREQUENCY CONTROL RANGE	+1.5 V DC $\pm 1$ V Positive Slope	$\pm 9$	$\pm 12$		PPM
CONTROL VOLTAGE		+0.5	+1.5	+2.5	V

## PACKAGE DIMENSIONS (mm)

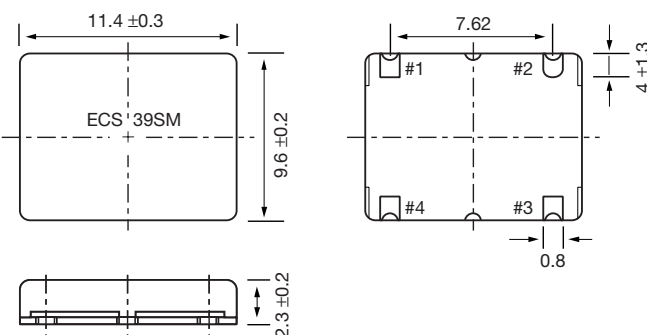


Figure 1) VC-TXO-39SMX Top, Side and Bottom views

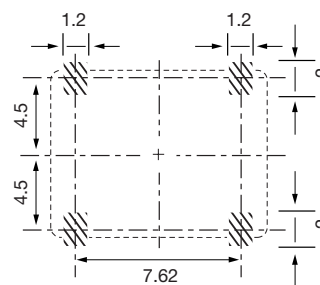


Figure 2) Land Pattern

PIN CONNECTIONS	
#1	VCONTROL
#2	GND
#3	OUTPUT
#4	VCC

# Mouser Electronics

Authorized Distributor

Click to View Pricing, Inventory, Delivery & Lifecycle Information:

ECS:

[VC-TXO-39SM-100](#)