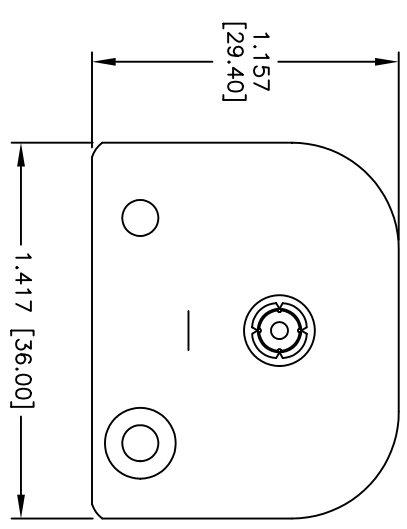
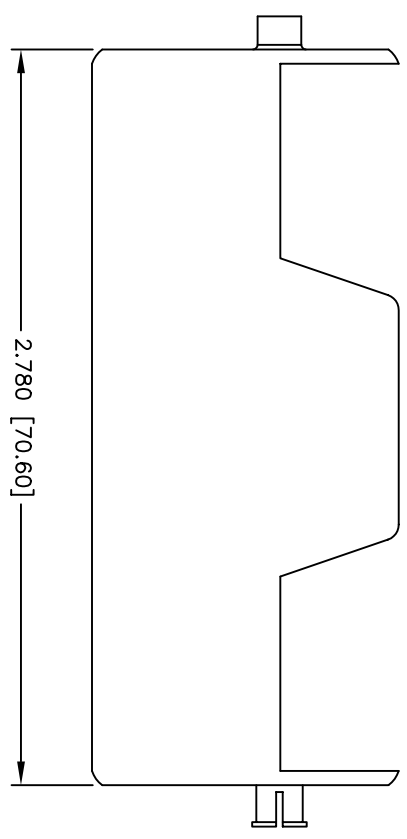
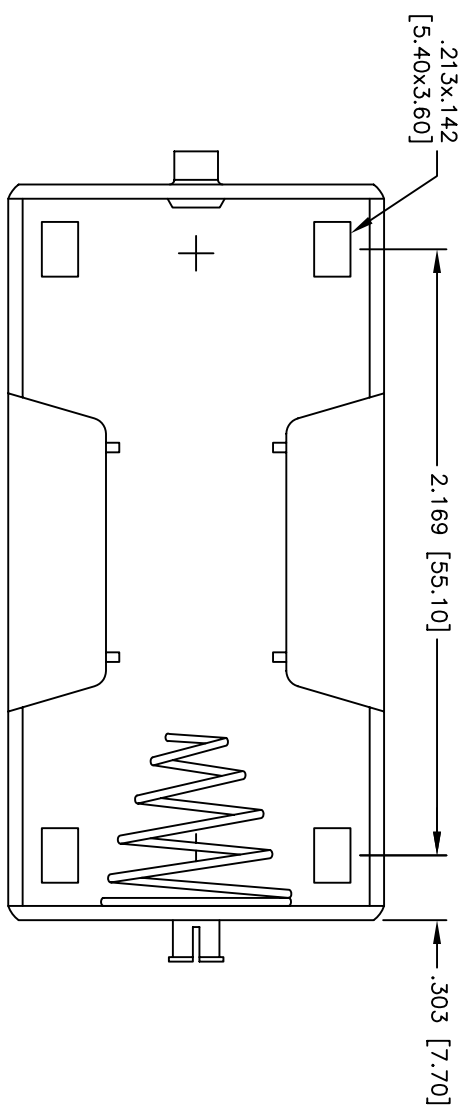


APPROVED: _____	DATE: _____	TITLE: _____
Rev	AWO #	Description
-		RELEASED
Date	Appr	
1/21/05		



SPECIFICATIONS:

- Material: Insulator: Impact resistant Polypropylene, rated UL94-HB
- Insulator color: Black
- Spring: Steel, Nickel plated
- Contacts: Steel, Nickel plated
- Snap terminals: Brass, Nickel plated
- Electrical: Operating voltage: 1.5 VDC max.
- Temperature Rating: Operating temperature: -10°C to +80°C
- Environmental: Lead free, RoHS compliant



UNLESS OTHERWISE SPECIFIED ALL DIMENSIONS ARE INCHES [MM]	
TOLERANCES: EXCEPT AS NOTED	
INCHES	HOLES
.X ± .10	ØX ± .10
.XX ± .020	ØXX ± .015
.XXX ± .015	ØXXX ± .010
APPROVALS	DATE
DRAWN SS	1/21/05
CHECKED	
APPROVED	

ADAM TECH
 909 Rahway Avenue, Union, NJ 07083
 Phone: 908-687-5000 Fax: 908-687-5710

TITLE: BATTERY HOLDER, MALE/FEMALE SNAPS
 FOR ONE "D" CELL

SIZE: X PART NO.: BH-18-2

SCALE: NTS SHEET 1 OF 1