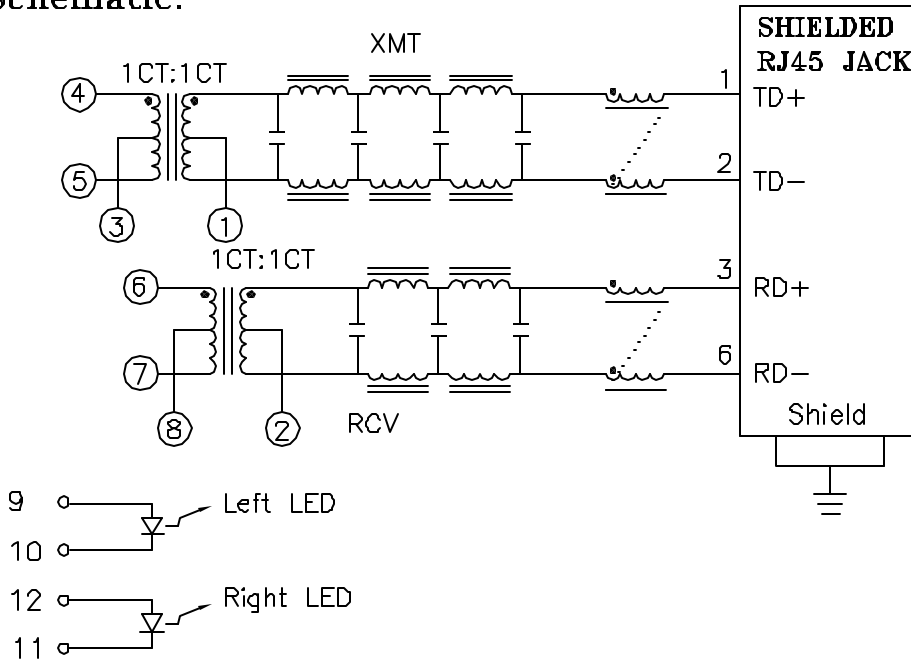


Schematic:



Electrical Specifications: @25°C

- ISOLATION: 1500 VRMS (Input to Output)
- ISOLATION: 500 VRMS (XMT to RCV)
- INSERTION LOSS (1-10MHz): -1.0dB Maximum
- ATTENUATION @30MHz:
 - TRANSMIT -30dB Minimum
 - RECEIVER -18dB Minimum
- RETURN LOSS (1-10MHz): -15dB Minimum
- CUTOFF FREQUENCY: 17MHz TYPICAL
- CROSSTALK (1-10MHz): -30dB Minimum
- I/O IMPEDANCE: 100 OHMS

Notes:

1. Solderability: Leads shall meet MIL-STD-202, Method 208D for solderability.
2. Flammability: UL94V-0
3. ASTM oxygen index: > 28%
4. Insulation System: Class F 155°C. UL file E151556
5. Operating Temperature Range: All listed parameters are to be within tolerance from -40°C to +85°C
6. Storage Temperature Range: -55°C to +125°C
7. Aqueous wash compatible
8. SMD Lead Coplanarity: ±0.004"(0.102mm)
9. Moisture Sensitivity: Level 2

Complete the Combo P/N as follows:

Replace 'x' & 'u' in the part number with one of the LED color letters:

Y=Yellow
G=Green
A=Amber
R=Red
C=Green(1)/Amber(2) Bicolor
D=Amber(1)/Green(2) Bicolor
M=Green(1)/Yellow(2) Bicolor
N=Yellow(1)/Green(2) Bicolor
P=Red(1)/Green(2) Bicolor
Q=Green(1)/Red(2) Bicolor

'x' = Left LED Color
'u' = Right LED Color

Single Color LED:

Bi-Color LED:

DOC. REV: A/1

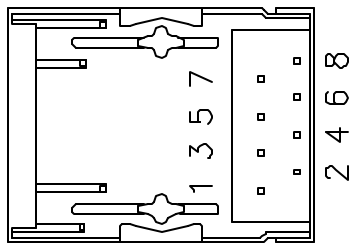
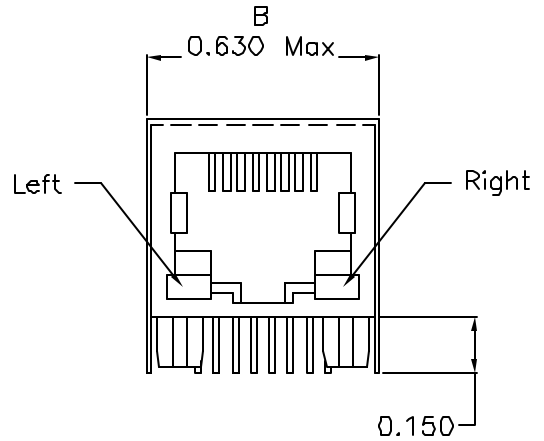
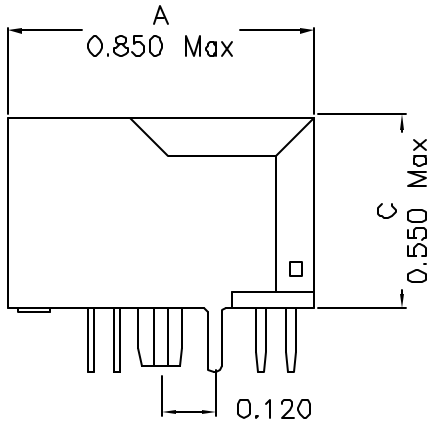
XFMRS Inc	Title: 10 BASE-T FILTER COMBO W/LEDs	
	UNLESS OTHERWISE SPECIFIED	P/N: XF10BASEC-CAXu1-2MS REV. A
	TOLERANCES: .xxx ±0.010	DWN. 李小锋 Aug-19-04
	Dimensions in INCH	CHK. 廖玉坤 Aug-19-04
SHEET 1 OF 2	APP. J Ng	Aug-19-04

PROPRIETARY:

Document is the property of XFMRS Group & is not allowed to be duplicated without authorization.

Mechanical Dimensions:

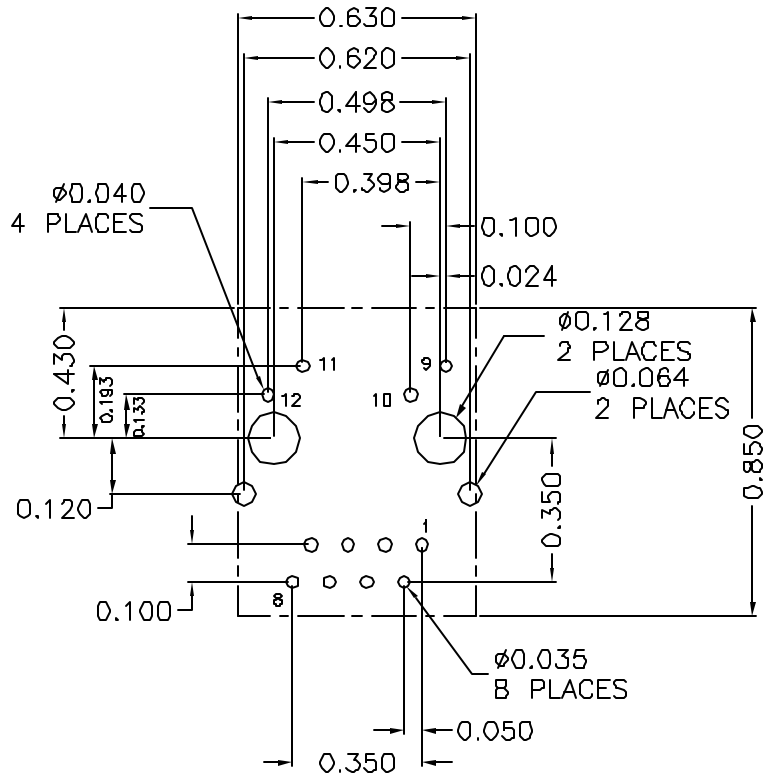
XFMR5
XF10BASEC-
CAxu1-2MS
YYWW



(BOTTOM VIEW)

Mounting Pattern:

(COMP SIDE)



DOC. REV. A/1

XFMR5 Inc.	Title: Mechanical Dimensions For CAxu1-2MS Series		
	UNLESS OTHERWISE SPECIFIED TOLERANCES: .xxx ±0.010 Dimensions in Inch	P/N: XF10BASEC-CAxu1-2MS	REV. A
	DWN.	李小铎	Aug-19-04
	CHK.	廖玉坤	Aug-19-04
SHEET 2 OF 2	APP.	J Ng	Aug-19-04

PROPRIETARY:

Document is the property of XFMR5 Group & is not allowed to be duplicated without authorization.