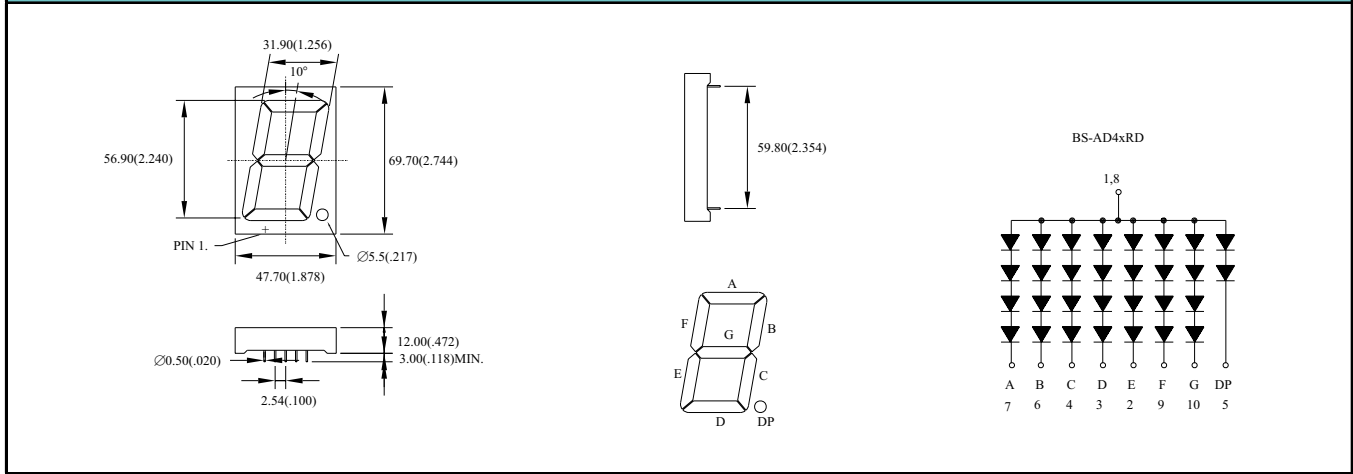




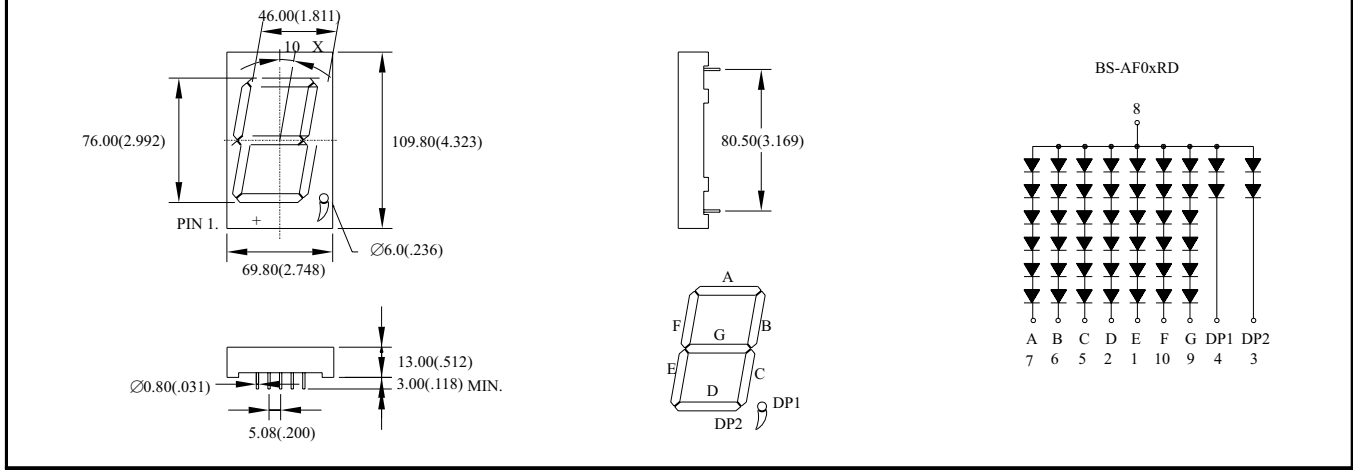
SINGLE DIGIT LED DISPLAYS

Digit Size	Part No.		Chip	Absolute Maximum Ratings				Electro-optical Data(At 10mA)			Drawing No.	
	Common Anode	Common Cathode		Material/Emitted Color	Peak Wave Length λ_p (nm)	$\Delta \lambda$ (nm)	Pd (mw)	If (mA)	Ifp (mA)	Vf (v)		Iv. Typ. Per.Seg. (mcd)
			Typ.							Max.		
2.30" Single-Digit	BS-AD41RD	BS-CD41RD	GaAsP/Red	655	40	320	40	200	6.8	8.0	6.0	SD-59
	BS-AD45RD	BS-CD45RD	GaP/ Bright Red	700	90	160	15	50	8.8	10.0	8.0	
	BS-AD45RE	BS-CD45RE										
	BS-AD42RD	BS-CD42RD	GaP/ Green	568	30	310	30	150	8.8	10.0	12.0	
	BS-AD43RD	BS-CD43RD	GaAsP/GaP/ Yellow	585	35	310	30	150	8.4	10.0	10.0	
	BS-AD44RD	BS-CD44RD	GaAsP/GaP/ Hi-Eff.Red	635	45	310	30	150	8.0	10.0	12.0	
			GaAsP/GaP/ Orange									
BS-AD46RD	BS-CD46RD	GaAlAs/ SH Super Red	660	20	310	30	150	6.8	10.0	18.0		
BS-AD4FRD	BS-CD4FRD	GaAlAs/ DDH Super Red	660	20	310	30	150	8.0	10.0	25.0		
3.00" Single-Digit	BS-AF01RD	BS-CF01RD	GaAsP/Red	655	40	480	40	200	9.6	12.0	8.5	SD-60
	BS-AF05RD	BS-CF05RD	GaP/ Bright Red	700	90	230	15	50	12.6	15.0	10.0	
	BS-AF05RE	BS-CF05RE										
	BS-AF02RD	BS-CF02RD	GaP/ Green	568	30	460	30	150	12.6	15.0	14.0	
	BS-AF03RD	BS-CF03RD	GaAsP/GaP/ Yellow	585	35	460	30	150	12.0	15.0	12.0	
			GaAsP/GaP/ Hi-Eff.Red									
	BS-AF04RD	BS-CF04RD	GaAsP/GaP/ Orange	635	45	460	30	150	11.5	15.0	14.0	
			GaAlAs/ SH Super Red									
BS-AF06RD	BS-CF06RD	GaAlAs/ SH Super Red	660	20	460	30	150	10.2	15.0	15.0		
BS-AF0FRD	BS-CF0FRD	GaAlAs/ DDH Super Red	660	20	460	30	150	12.0	15.0	25.0		

SD-59 BS-^A_CD4xRD



SD-60 BS-^A_CF0xRD



NOTES: 1.All Dimensions are in millimeters(inches).
 2.Tolerance is $\pm 0.25\text{mm}(0.010")$.
 3.Specifications are subject to change without notice.
 4.NP:No Pin. 5.NC:No Connect.