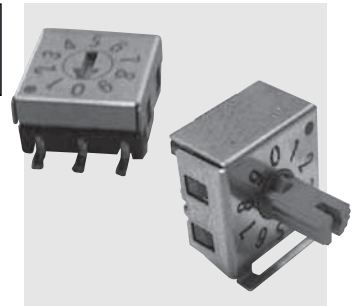


SMR•SMRR 7000C 8000C

Washable

Hyper-Miniature Dip Rotary Switches(7.5mm sq.)
(Surface Mount)



RoHS Compliant

Features

- Hyper-miniature Size(7.5mm sq.)**
Designed for high density mounting.
- Process Sealed**
- Gold Plated Contacts**
- Clearly Visible Legends and Position Indicator**

Specifications

Rating	Switching	Max.	30mA 15VDC
		Min.	1 μ A 20mVDC
	Non-switching	100mA 50VDC	
Contact resistance		100m Ω maximum	
Dielectric strength		250VAC, 60s	
Insulation resistance		1,000M Ω . minimum(100VDC)	
Load life		10,000 steps 30mA 15VDC	
Operating torque		49mN·m [500gf·cm] maximum	
Operating temperature range		-25~+85°C	
Storage temperature range		-40~+85°C	

Part Numbering

SMR **R** **7** **0** **10** **C** **-** **1E**

Series code Terminals Actuators Circuits Number of positions Structure Packaging spec

None	Gull Wing	7	Screwdriver Actuator	0	Real code	10	10 positions	1	Stick-Tube
R	Right angle	8	Shaft Actuator	1	Complementary code	16	16 positions	1E	Taping

Table of Part Numbers

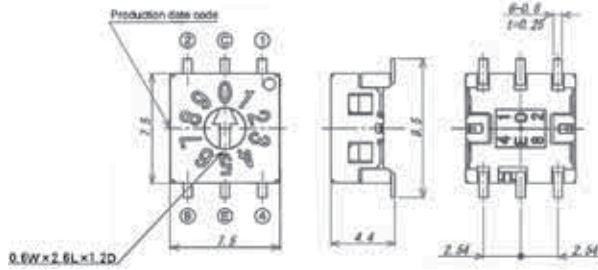
Circuit function	Positions	Terminals	Actuators		Screwdriver Actuator		Shaft Actuator	
			Gull Wing	Right Angle	Gull Wing	Right Angle	Gull Wing	Right Angle
Real code	10		SMR7010C-1 SMR7010C-1E	SMRR7010C-1 SMRR7010C-1E	★ SMR8010C-1	★ SMRR8010C-1 ★ SMRR8010C-1E		
	16		SMR7016C-1 SMR7016C-1E	SMRR7016C-1 SMRR7016C-1E	SMR8016C-1	★ SMRR8016C-1 ★ SMRR8016C-1E		
Complementary code	10		SMR7110C-1 SMR7110C-1E	SMRR7110C-1 SMRR7110C-1E	SMR8110C-1	★ SMRR8110C-1 ★ SMRR8110C-1E		
	16		SMR7116C-1 SMR7116C-1E	SMRR7116C-1 SMRR7116C-1E	★ SMR8116C-1	★ SMRR8116C-1 ★ SMRR8116C-1E		

★ : Made-to-order products.

SMR7010C-1(E)
SMR7110C-1(E)



(Gull Wing)



Terminal numbers are shown on the bottom of the switch.

● Real code Actuator color : Yellow

Part No.	Position	Terminal #			
		1	2	4	8
SMR7010C-1(E) SMR7110C-1(E)	0				
	1	●			
	2		●		
	3	●	●		
	4			●	
	5	●		●	
	6		●	●	
	7	●	●	●	
	8				●
	9	●			●

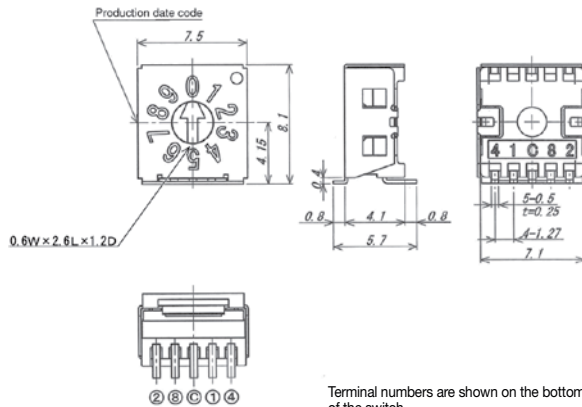
● Complementary code Actuator color : Red

Part No.	Position	Terminal #			
		1	2	4	8
SMR7110C-1(E) SMR7110C-1(E)	0	●	●	●	●
	1		●	●	●
	2	●		●	●
	3			●	●
	4	●	●		●
	5		●		●
	6	●			●
	7				●
	8	●	●	●	
	9		●	●	

SMRR7010C-1(E)
SMRR7110C-1(E)



(Right Angle)



Terminal numbers are shown on the bottom of the switch.

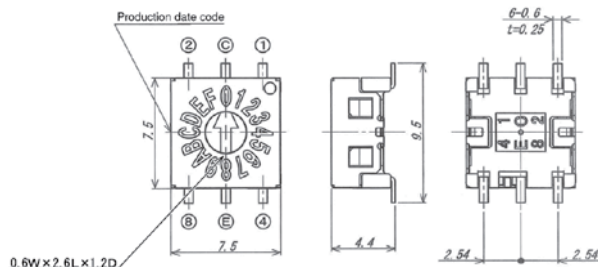
● Real code Actuator color : Yellow

Part No.	Position	Terminal #			
		1	2	4	8
SMR7016C-1(E) SMR7116C-1(E)	0				
	1	●			
	2		●		
	3	●	●		
	4			●	
	5	●		●	
	6		●	●	
	7	●	●	●	
	8				●
	9	●			●
	A		●		●
	B	●	●		●
	C			●	●
	D	●		●	●
	E		●	●	●
	F	●	●	●	●

SMR7016C-1(E)
SMR7116C-1(E)



(Gull Wing)



Terminal numbers are shown on the bottom of the switch.

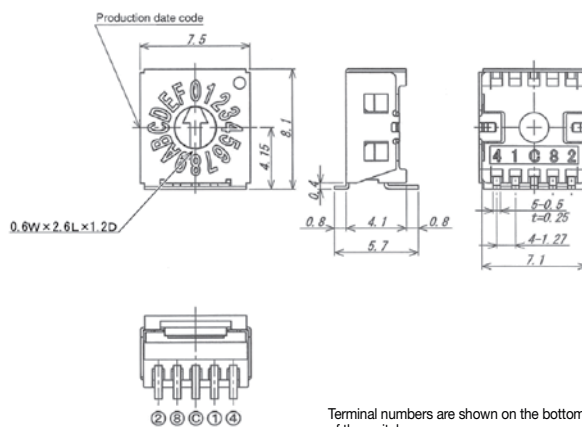
● Complementary code Actuator color : Red

Part No.	Position	Terminal #			
		1	2	4	8
SMR7116C-1(E) SMR7116C-1(E)	0	●	●	●	●
	1		●	●	●
	2	●		●	●
	3			●	●
	4	●	●		●
	5		●		●
	6	●			●
	7				●
	8	●	●	●	
	9		●	●	
	A	●		●	
	B		●	●	
	C	●	●		
	D		●		
	E	●			
	F				

SMRR7016C-1(E)
SMRR7116C-1(E)



(Right Angle)



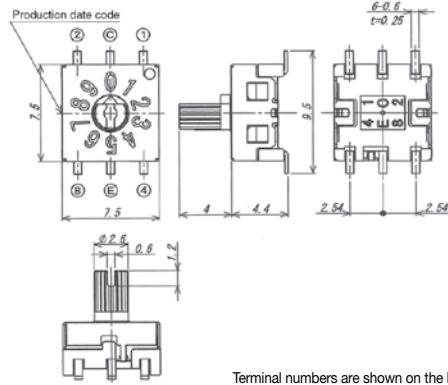
Terminal numbers are shown on the bottom of the switch.

Ⓜ : Terminal E is ground terminal ●···Connection to common (C).

SMR8010C-1
SMR8110C-1



(Gull Wing)



Terminal numbers are shown on the bottom of the switch.

● Real code

Actuator color : Yellow

Part No.	Position	Terminal #			
		1	2	4	8
SMR8010C-1 SMRR8010C-1(E)	0				
	1	●			
	2		●		
	3	●	●		
	4			●	
	5	●		●	
	6		●	●	
	7	●	●	●	
	8				●
9	●			●	

● Complementary code

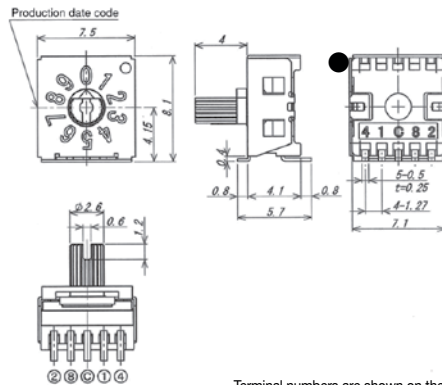
Actuator color : Red

Part No.	Position	Terminal #			
		1	2	4	8
SMR8110C-1 SMRR8110C-1(E)	0	●	●	●	●
	1		●	●	●
	2	●		●	●
	3			●	●
	4	●	●		●
	5		●		●
	6	●			●
	7				●
	8	●	●	●	
9		●	●		

SMRR8010C-1(E)
SMRR8110C-1(E)



(Right Angle)



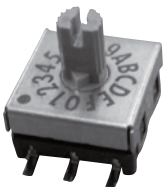
Terminal numbers are shown on the bottom of the switch.

● Real code

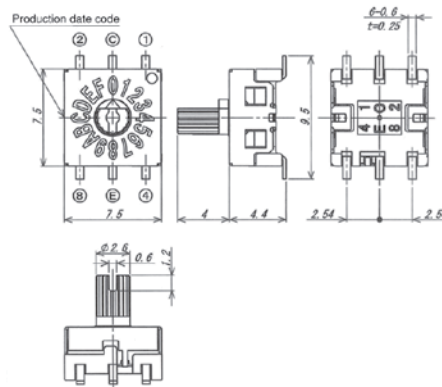
Actuator color : Yellow

Part No.	Position	Terminal #			
		1	2	4	8
SMR8016C-1 SMRR8016C-1(E)	0				
	1	●			
	2		●		
	3	●	●		
	4			●	
	5	●		●	
	6		●	●	
	7	●	●	●	
	8				●
	9	●			●
	A		●		●
	B	●	●		●
	C			●	●
D	●		●	●	
E		●	●	●	
F	●	●	●	●	

SMR8016C-1
SMR8116C-1



(Gull Wing)



Terminal numbers are shown on the bottom of the switch.

● Complementary code

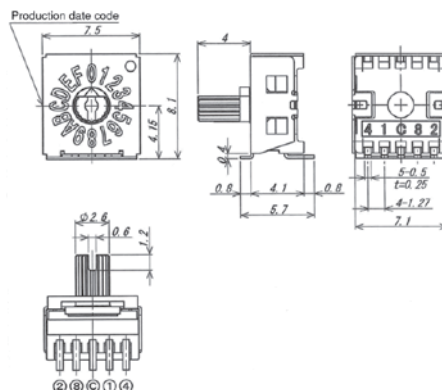
Actuator color : Red

Part No.	Position	Terminal #			
		1	2	4	8
SMR8116C-1 SMRR8116C-1(E)	0	●	●	●	●
	1		●	●	●
	2	●		●	●
	3			●	●
	4	●	●		●
	5		●		●
	6	●			●
	7				●
	8	●	●	●	
	9		●	●	
	A	●		●	
	B			●	
	C	●	●		
	D		●		
	E	●			
	F				

SMRR8016C-1(E)
SMRR8116C-1(E)



(Right Angle)



Terminal numbers are shown on the bottom of the switch.

Ⓜ : Terminal E is ground terminal ●... Connection to common (C).

PCB Footprints

(Top view)

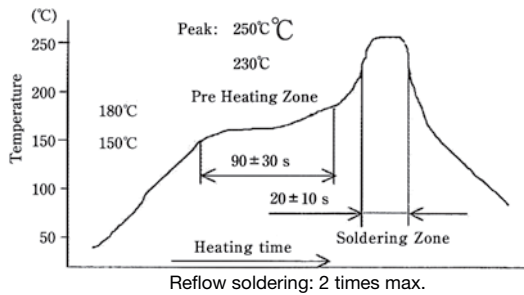
Terminal style	Gull Wing	Right Angle
Footprint dimensions		

Soldering Specifications

- (1) Manual Soldering
350°C, 3 sec. Max.
- (2) Reflow
Peak temperature 255°C (Please refer to the profile below).

Flux Cleaning

After soldering, wait until the switches cool down to room temperature (30°C or below) before washing. If the switches are cleaned while still above 30°C, a vacuum will occur which will cause the cleaning solution to be sucked into the switches.



Packaging Specifications

Series	SMR7000C-1E	SMRR7000C-1E/8000C-1E
Taping	<p>1,000 pcs/reel</p>	<p>500 pcs/reel</p>
Stick-Tube	<p>SMR7000C-1/8000C-1</p> <p>50 pcs/stick</p>	

- Taping quantity: SMR series 1,000pcs / reel, SMRR series 500pcs/reel. Each reel is packed in a cardboard box.
- Minimum packaging quantity: Stick-Tube 50pcs, Taping 500pcs or 1,000pcs (refer to Packaging Specifications)