

PLEASE CHECK WWW.MOLEX.COM FOR LATEST PART INFORMATION

Part Number: [0878982066](#)
Status: **Active**
Overview: [kk](#)
Description: 2.54mm (.100") Pitch KK® Header, Surface Mount, Breakaway, Vertical, 20 Circuits, 2.50µm (98µ") Tin (Sn) Plating, Tube Packaging, without Cap, Lead-free

Documents:

[Drawing \(PDF\)](#) [RoHS Certificate of Compliance \(PDF\)](#)
[Product Specification PS-87920-019 \(PDF\)](#)

General

Product Family	PCB Headers
Series	87898
Application	Board-to-Board, Wire-to-Board
Overview	kk
Product Name	KK®

Physical

Breakaway	Yes
Circuits (Loaded)	20
Circuits (maximum)	20
Color - Resin	Black
First Mate / Last Break	No
Glow-Wire Compliant	No
Guide to Mating Part	No
Keying to Mating Part	None
Lock to Mating Part	None
Material - Metal	Copper Alloy
Material - Plating Mating	Tin
Material - Plating Termination	Tin
Material - Resin	Nylon
Number of Rows	1
Orientation	Vertical
PCB Locator	No
PCB Retention	None
Packaging Type	Tube
Pitch - Mating Interface (in)	0.100 In
Pitch - Mating Interface (mm)	2.54 mm
Pitch - Term. Interface (in)	0.100 In
Pitch - Term. Interface (mm)	2.54 mm
Polarized to Mating Part	No
Polarized to PCB	No
Robotic Placement	None
Shrouded	No
Stackable	No
Temperature Range - Operating	-55°C to +105°C
Termination Interface: Style	Surface Mount

Electrical

Current - Maximum per Contact	3A
Voltage - Maximum	250V

Material Info

Reference - Drawing Numbers

Packaging Specification	PK-89990-545
Product Specification	PS-87920-019

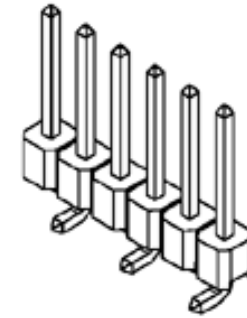


image - Reference only

Series

EU RoHS

**ELV and RoHS
Compliant**
**REACH SVHC
Not Reviewed**
**Halogen-Free
Status**

China RoHS



**Need more information on product
environmental compliance?**

Email productcompliance@molex.com
For a multiple part number RoHS Certificate of Compliance, [click here](#)

Please visit the [Contact Us](#) section for any non-product compliance questions.

Search Parts in this Series

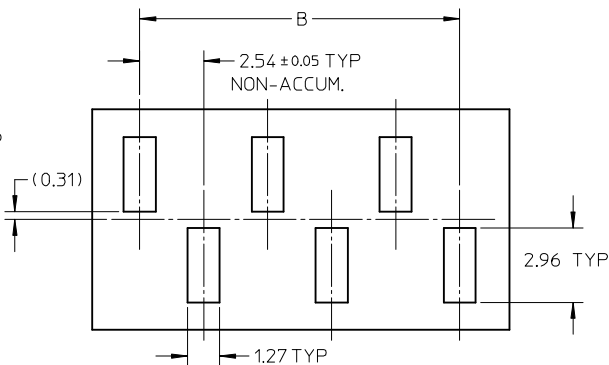
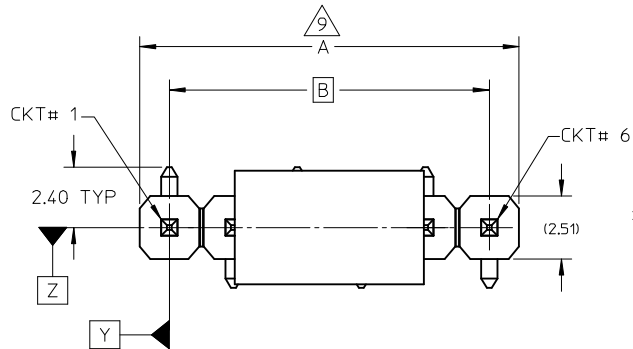
[87898Series](#)

Mates With

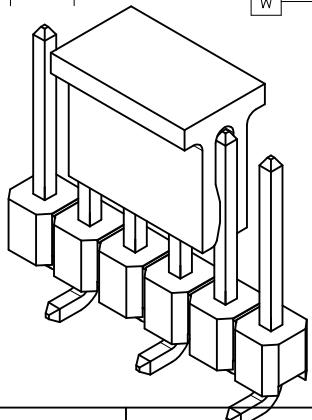
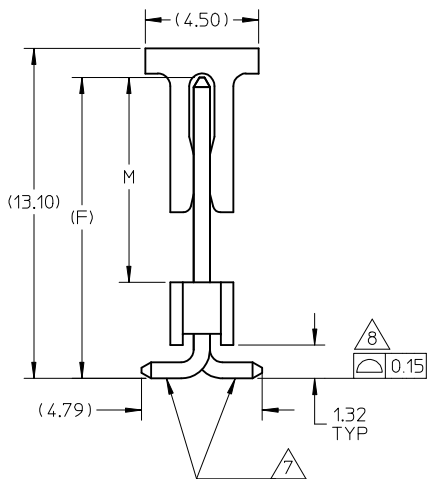
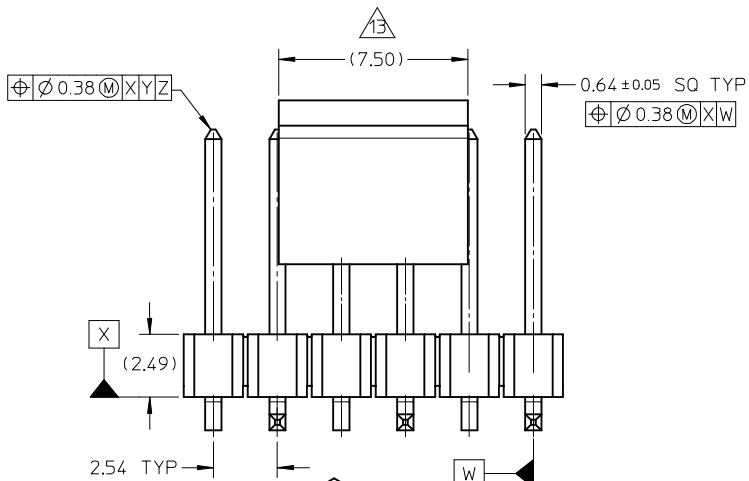
KK® PCB Receptacles [4455](#). SL™ IDT Housings [70430](#) , [7720](#), [70400](#). C-Grid® PCB Receptacles [90147](#), [90148](#)

This document was generated on 05/25/2010

PLEASE CHECK WWW.MOLEX.COM FOR LATEST PART INFORMATION



RECOMMENDED PCB LAYOUT

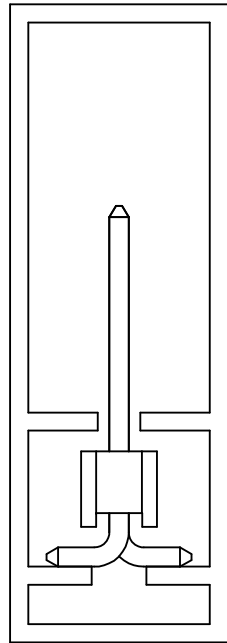


NOTES:

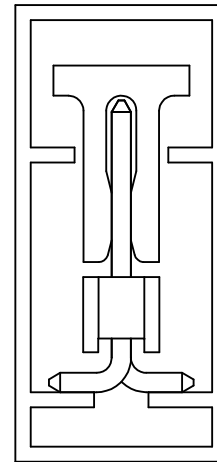
1. MATERIAL:
HSG: NYLON, GLASS-FILLED, UL94V-0, COLOR: BLACK
PIN: 0.64MM SQ, COPPER ALLOY
2. PLATING TYPE:
(1) GOLD FLASH OVER
1.25µm MIN. NICKEL OVERALL.
(2) GOLD FLASH ON CONTACT AND
2.50µm MIN. TIN ON SOLDER TAIL OVER
1.25µm MIN. NICKEL OVERALL.
(4) 0.38µm MIN. GOLD PLATE ON CONTACT AND
2.00µm MIN. TIN ON SOLDER TAIL OVER
1.25µm MIN. NICKEL OVERALL.
(5) 0.75µm MIN. GOLD PLATE ON CONTACT AND
2.00µm MIN. TIN ON SOLDER TAIL OVER
1.25µm MIN. NICKEL OVERALL.
(6) 2.50µm MIN. TIN OVERALL
1.25µm MIN. NICKEL OVERALL
3. PRODUCT SPECIFICATION: PS-87920-019
4. PACKAGING TYPE: SEE TABLE
5. PACKAGING SPEC: PK-89990-545
6. WAFER TO BE FLAT WITHIN 0.003 mm/mm
7. BEND DEPRESSION IS ACCEPTED SO LONG AS IT DOES NOT AFFECT THE OVERALL COPLANARITY OF TAIL
8. COPLANARITY IS TO BE MEASURED BY RESTING THE SOLDER TAIL ON A FLAT SURFACE
9. IRREGULAR CIRCUIT CUTOFF WITHIN BREAKAWAY SECTION IS PERMISSIBLE. CUTTING OR CHIPPING OF THE MAIN BODY IS NOT ACCEPTABLE
10. TUBE LENGTH AS PER STANDARD 560mm
11. RECOMMENDED PCB THICKNESS IS 1.60mm ± 0.10
12. THE ABOVE CKT 6 IS FOR ILLUSTRATION PURPOSE ONLY
13. CAP LOCATION IS CENTERED ALONG THE MATING ENDS AS SHOWN. TOP SURFACE OF CAP TO BE FLAT FOR THE PURPOSE OF PICK & PLACE BY VACUUM SUCTION NOZZLE.

REVISE T&R QTY EC NO: S2009-0327 DRWN:SKANG 2008/11/26 CHKD:ATSEE 2008/11/27 APPR:MLONG 2008/11/28	QUALITY SYMBOLS ▽=0 ◻=0	GENERAL TOLERANCES (UNLESS SPECIFIED)		DIMENSION STYLE MM ONLY		SCALE NTS	DESIGN UNITS METRIC	THIRD ANGLE PROJECTION			
		4 PLACES ± --- ± ---	3 PLACES ± --- ± ---	2 PLACES ± 0.2 ± ---	1 PLACE ± --- ± ---	ANGULAR ± 3 °	DRAWN BY SKLIM01	DATE 2005/10/26	TITLE CUSTOM HEADER 2.54MM PITCH SINGLE ROW SINGLE WAFER SMT HEADER		
		DRAFT WHERE APPLICABLE MUST REMAIN WITHIN DIMENSIONS					CHECKED BY NAGESHKN	DATE 2005/10/30	MOLEX INCORPORATED		
		SEE TABLE					APPROVED BY PTLIM	DATE 2005/11/07	MATERIAL NO. SD-87898-003	DOCUMENT NO.	SHEET NO. 1 OF 17

**PART WITHOUT CAP
IN TUBE
ORIENTATION**



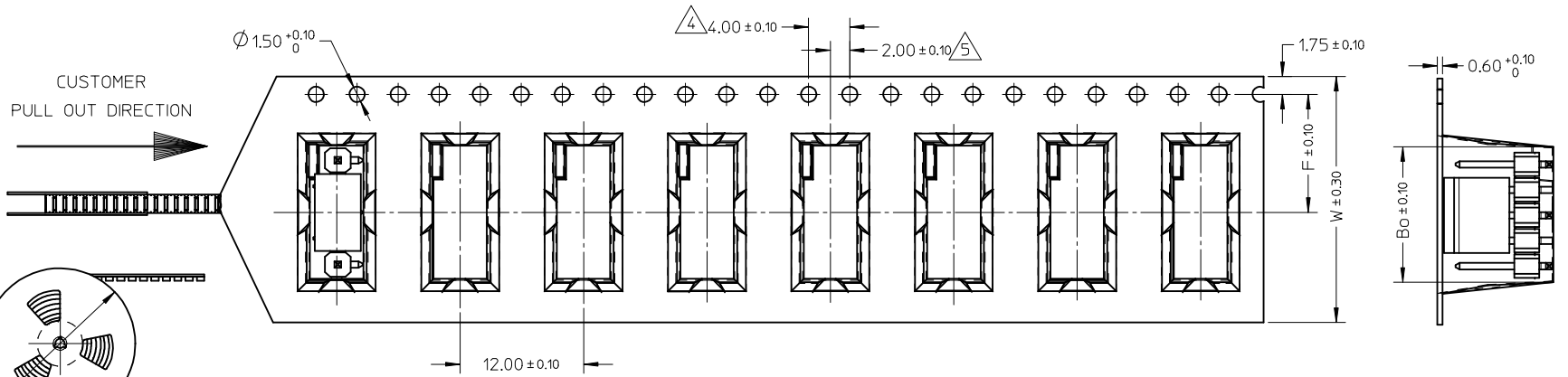
**PART WITH CAP
IN TUBE
ORIENTATION**



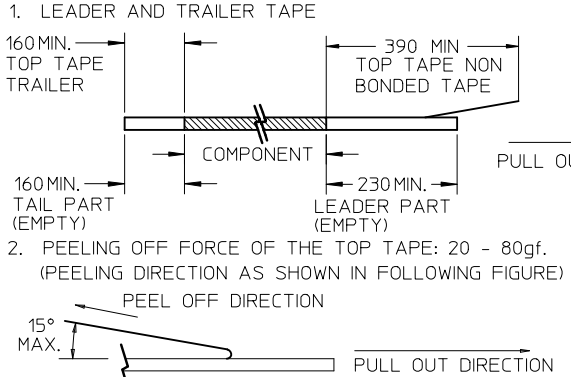
REVISE T&R QTY EC NO: S2009-0327 DRWN:SKANG CHKD:ATSEE APPR:MLONG	2008/11/26 2008/11/27 2008/11/28	DESCRIPTION REV	QUALITY SYMBOLS	GENERAL TOLERANCES (UNLESS SPECIFIED)		DIMENSION STYLE		SCALE	DESIGN UNITS	THIRD ANGLE PROJECTION			
			▼=0 □=0	mm	INCH	MM ONLY	NTS	METRIC	DRAWN BY SKLIM01 DATE 2005/10/26 CHECKED BY NAGESHKN DATE 2005/10/30 APPROVED BY PTLIM DATE 2005/11/07		TITLE CUSTOM HEADER 2.54MM PITCH SINGLE ROW SINGLE WAFER SMT HEADER		
			4 PLACES ± --- ± --- 3 PLACES ± --- ± --- 2 PLACES ± 0.2 ± --- 1 PLACE ± --- ± ---	ANGULAR ± 3 °		SEE TABLE		MATERIAL NO. DOCUMENT NO.		MOLEX INCORPORATED SD-87898-003		SHEET NO. 2 OF 17	
			DRAFT WHERE APPLICABLE MUST REMAIN WITHIN DIMENSIONS		SIZE A3		THIS DRAWING CONTAINS INFORMATION THAT IS PROPRIETARY TO MOLEX INCORPORATED AND SHOULD NOT BE USED WITHOUT WRITTEN PERMISSION						

10 9 8 7 6 5 4 3 2 1

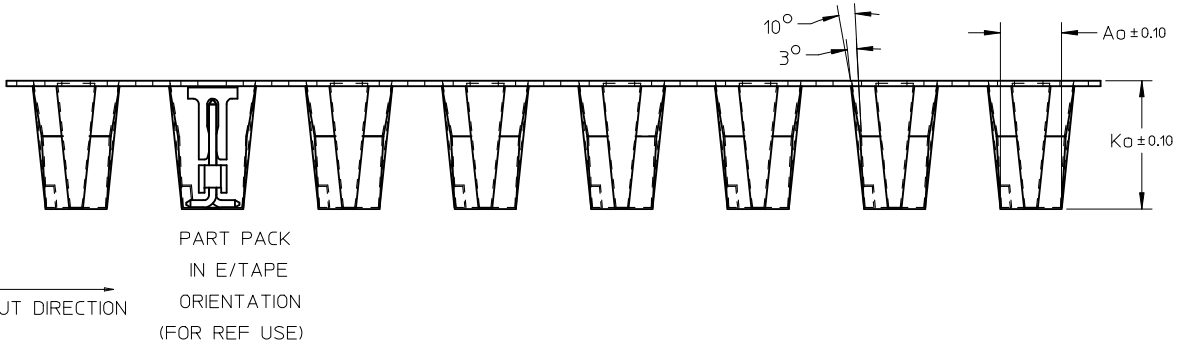
CKT	DIMENSION				
	Bo	Ao	Ko	F	W
3	8.02	5.20	13.60	11.50	24.00
5	13.10	5.20	13.60	11.50	24.00



NOTES:




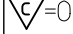

- LEADER AND TRAILER TAPE
- PEELING OFF FORCE OF THE TOP TAPE: 20 - 80gf. (PEELING DIRECTION AS SHOWN IN FOLLOWING FIGURE)
- MATERIAL: BLACK P.S CONDUCTIVE, BLACK
- MEASURED FROM CENTRELINE OF SPROCKET HOLE TO CENTRELINE OF SPOCKET
- CUMULATIVE TOLERANCE OF 10 SPROCKET HOLE IS ± 0.20 mm
- A0 AND B0 ARE MEASURE FROM ABOVE POCKET BASE 0.30mm
- TAPE AND REEL SPECIFICATION IS AS PER EIA-481.
- TAPE AND REEL QUANTITY : 320PCS/REEL
- THE TAPE IS TREATED FOR ANTI-STATIC.
- ALL RADIUS ARE 0.30MM UNLESS SPECIFY
- SURFACE RESISTIVITY 10^3 TO 10^8 OHMS.



REVISE T&R QTY EC NO: S2009-0327 DRWN:SKANG CHKD:ATSEE APPR:MLONG 2008/11/26 2008/11/27 2008/11/28	QUALITY SYMBOLS	GENERAL TOLERANCES (UNLESS SPECIFIED)	DIMENSION STYLE	SCALE	DESIGN UNITS	THIRD ANGLE PROJECTION
	$\blacktriangledown = 0$ $\triangleleft = 0$	mm INCH 4 PLACES \pm --- \pm --- 3 PLACES \pm --- \pm --- 2 PLACES ± 0.2 \pm --- 1 PLACE \pm --- \pm --- ANGULAR $\pm 3^\circ$	MM ONLY	NTS	METRIC	
	DESCRIPTION	DRAFT WHERE APPLICABLE MUST REMAIN WITHIN DIMENSIONS	DRAWN BY: SKLIM01 CHECKED BY: NAGESHKN APPROVED BY: PTLIM DATE: 2005/10/26 DATE: 2005/10/30 DATE: 2005/11/07	TITLE	CUSTOM HEADER 2.54MM PITCH SINGLE ROW SINGLE WAFER SMT HEADER	
	MATERIAL NO. SEE TABLE	SIZE A3	THIS DRAWING CONTAINS INFORMATION THAT IS PROPRIETARY TO MOLEX INCORPORATED AND SHOULD NOT BE USED WITHOUT WRITTEN PERMISSION		MOLEX INCORPORATED SD-87898-003	SHEET NO. 3 OF 17

9 8 7 6 5 4 3 2 1

PACKAGING OPTION PART NO.						CKT SIZE	VOID POSITION	PLATING TYPE	DIMENSION			
TRAY WITHOUT CAP	TRAY WITH CAP	TUBE WITHOUT CAP	TUBE WITH CAP	TAPE & REEL WITHOUT CAP	TAPE & REEL WITH CAP				A	B	F	M
87898-0361	-----	-----	-----	-----	-----	3	----	1	7.62	5.08	11.94	8.13
87898-0362	-----	-----	-----	-----	-----	3	----	2	7.62	5.08	11.94	8.13
87898-0364	-----	-----	-----	-----	-----	3	----	4	7.62	5.08	11.94	8.13
87898-0365	-----	-----	-----	-----	-----	3	----	5	7.62	5.08	11.94	8.13
87898-0366	-----	-----	87898-0367	-----	87898-0368	3	----	6	7.62	5.08	11.94	8.13


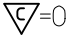
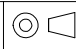
REVISE T&R QTY EC NO: S2009-0327 DRWN:SKANG CHKD:ATSEE APPR:MLONG	2008/11/26 2008/11/27 2008/11/28	DESCRIPTION REV	QUALITY SYMBOLS	GENERAL TOLERANCES (UNLESS SPECIFIED)	DIMENSION STYLE	SCALE	DESIGN UNITS	THIRD ANGLE PROJECTION			
			 =0  =0.2	mm	INCH	MM ONLY	NTS	METRIC	TITLE		
				4 PLACES	± ---	± ---	DRAWN BY	DATE	CUSTOM HEADER 2.54MM PITCH SINGLE ROW SINGLE WAFER SMT HEADER		
				3 PLACES	± ---	± ---	SKL IM01	2005/10/26			
				2 PLACES	± 0.2	± ---	CHECKED BY	DATE	 MOLEX INCORPORATED		
1 PLACE	± ---	± ---	NAGESHKN	2005/10/30							
ANGULAR ± 3 °			APPROVED BY	DATE	MATERIAL NO.		DOCUMENT NO.		SHEET NO.		
DRAFT WHERE APPLICABLE MUST REMAIN WITHIN DIMENSIONS			PTL IM	2005/11/07	SEE TABLE		SD-87898-003		4 OF 17		
			SIZE	THIS DRAWING CONTAINS INFORMATION THAT IS PROPRIETARY TO MOLEX INCORPORATED AND SHOULD NOT BE USED WITHOUT WRITTEN PERMISSION							
B2			A3								

PACKAGING OPTION PART NO.

F	PACKAGING OPTION PART NO.						CKT SIZE	VOID POSITION	PLATING TYPE	DIMENSION			
	TRY WITHOUT CAP	TRY WITH CAP	TUBE WITHOUT CAP	TUBE WITH CAP	TAPE & REEL WITHOUT CAP	TAPE & REEL WITH CAP				A	B	F	M
	-----	-----	87898-0461	-----	-----	-----	4	----	1	10.16	7.62	11.94	8.13
	-----	-----	87898-0462	-----	-----	-----	4	----	2	10.16	7.62	11.94	8.13
	-----	-----	87898-0464	-----	-----	-----	4	----	4	10.16	7.62	11.94	8.13
	-----	-----	87898-0465	-----	-----	-----	4	----	5	10.16	7.62	11.94	8.13
	-----	-----	87898-0466	-----	-----	-----	4	----	6	10.16	7.62	11.94	8.13
E													
	-----	-----	87898-0561	-----	-----	-----	5	----	1	12.70	10.16	11.94	8.13
	-----	-----	87898-0562	-----	-----	-----	5	----	2	12.70	10.16	11.94	8.13
	-----	-----	87898-0564	-----	-----	-----	5	----	4	12.70	10.16	11.94	8.13
	-----	-----	87898-0565	-----	-----	-----	5	----	5	12.70	10.16	11.94	8.13
D	-----	-----	87898-0566	87898-0567	-----	87898-0568	5	----	6	12.70	10.16	11.94	8.13
	-----	-----	87898-0661	-----	-----	-----	6	----	1	15.24	12.70	11.94	8.13
	-----	-----	87898-0662	-----	-----	-----	6	----	2	15.24	12.70	11.94	8.13
	-----	-----	87898-0664	-----	-----	-----	6	----	4	15.24	12.70	11.94	8.13
C	-----	-----	87898-0665	-----	-----	-----	6	----	5	15.24	12.70	11.94	8.13
	-----	-----	87898-0666	-----	-----	-----	6	----	6	15.24	12.70	11.94	8.13

REVISE T&R QTY EC NO: S2009-0327 DRWN:SKANG 2008/11/26 CHKD:ATSEE 2008/11/27 APPR:MLONG 2008/11/28	DESCRIPTION REV	QUALITY SYMBOLS ▽=0 ◻=0	GENERAL TOLERANCES (UNLESS SPECIFIED) mm INCH 4 PLACES ± --- ± --- 3 PLACES ± --- ± --- 2 PLACES ± 0.2 ± --- 1 PLACE ± --- ± --- ANGULAR ± 3 °	DIMENSION STYLE MM ONLY DRAWN BY SKLIM01 DATE 2005/10/26 CHECKED BY NAGESHKN DATE 2005/10/30 APPROVED BY PTLIM DATE 2005/11/07	SCALE NTS DESIGN UNITS METRIC THIRD ANGLE PROJECTION	TITLE CUSTOM HEADER 2.54MM PITCH SINGLE ROW SINGLE WAFER SMT HEADER
		DRAFT WHERE APPLICABLE MUST REMAIN WITHIN DIMENSIONS	MATERIAL NO. SEE TABLE SIZE A3	MOLEX INCORPORATED DOCUMENT NO. SD-87898-003	SHEET NO. 5 OF 17	
		THIS DRAWING CONTAINS INFORMATION THAT IS PROPRIETARY TO MOLEX INCORPORATED AND SHOULD NOT BE USED WITHOUT WRITTEN PERMISSION				

PACKAGING OPTION PART NO.						CKT SIZE	VOID POSITION	PLATING TYPE	DIMENSION			
TRY WITHOUT CAP	TRY WITH CAP	TUBE WITHOUT CAP	TUBE WITH CAP	TAPE & REEL WITHOUT CAP	TAPE & REEL WITH CAP				A	B	F	M
-----	-----	87898-07261	-----	-----	-----	7	----	1	17.78	15.24	11.94	8.13
-----	-----	87898-0762	-----	-----	-----	7	----	2	17.78	15.24	11.94	8.13
-----	-----	87898-0764	-----	-----	-----	7	----	4	17.78	15.24	11.94	8.13
-----	-----	87898-0765	-----	-----	-----	7	----	5	17.78	15.24	11.94	8.13
-----	-----	87898-0766	-----	-----	-----	7	----	6	17.78	15.24	11.94	8.13
-----	-----	87898-0861	-----	-----	-----	8	----	1	20.32	17.78	11.94	8.13
-----	-----	87898-0862	-----	-----	-----	8	----	2	20.32	17.78	11.94	8.13
-----	-----	87898-0864	-----	-----	-----	8	----	4	20.32	17.78	11.94	8.13
-----	-----	87898-0865	-----	-----	-----	8	----	5	20.32	17.78	11.94	8.13
-----	-----	87898-0866	-----	-----	-----	8	----	6	20.32	17.78	11.94	8.13
-----	-----	87898-0961	-----	-----	-----	9	----	1	22.86	20.32	11.94	8.13
-----	-----	87898-0962	-----	-----	-----	9	----	2	22.86	20.32	11.94	8.13
-----	-----	87898-0964	-----	-----	-----	9	----	4	22.86	20.32	11.94	8.13
-----	-----	87898-0965	-----	-----	-----	9	----	5	22.86	20.32	11.94	8.13
-----	-----	87898-0966	-----	-----	-----	9	----	6	22.86	20.32	11.94	8.13

REVISE T&R QTY EC NO: S2009-0327 DRWN:SKANG 2008/11/26 CHKD:ATSEE 2008/11/27 APPR:MLONG 2008/11/28	QUALITY SYMBOLS  = 0  = 0	GENERAL TOLERANCES (UNLESS SPECIFIED)		DIMENSION STYLE MM ONLY		SCALE NTS	DESIGN UNITS METRIC	 THIRD ANGLE PROJECTION			
		4 PLACES ± --- ± --- 3 PLACES ± --- ± --- 2 PLACES ± 0.2 ± --- 1 PLACE ± --- ± ---	mm INCH	DRAWN BY SKLIM01	DATE 2005/10/26	TITLE CUSTOM HEADER 2.54MM PITCH SINGLE ROW SINGLE WAFER SMT HEADER					
		ANGULAR ± 3 °		CHECKED BY NAGESHKN	DATE 2005/10/30	MOLEX INCORPORATED					
		DRAFT WHERE APPLICABLE MUST REMAIN WITHIN DIMENSIONS		APPROVED BY PTLIM	DATE 2005/11/07	MATERIAL NO. SEE TABLE	DOCUMENT NO. SD-87898-003	SHEET NO. 6 OF 17			

PACKAGING OPTION PART NO.						CKT SIZE	VOID POSITION	PLATING TYPE	DIMENSION			
TRY WITHOUT CAP	TRY WITH CAP	TUBE WITHOUT CAP	TUBE WITH CAP	TAPE & REEL WITHOUT CAP	TAPE & REEL WITH CAP				A	B	F	M
-----	-----	87898-1061	-----	-----	-----	10	-----	1	25.40	22.86	11.94	8.13
-----	-----	87898-1062	-----	-----	-----	10	-----	2	25.40	22.86	11.94	8.13
-----	-----	87898-1064	-----	-----	-----	10	-----	4	25.40	22.86	11.94	8.13
-----	-----	87898-1065	-----	-----	-----	10	-----	5	25.40	22.86	11.94	8.13
-----	-----	87898-1066	-----	-----	-----	10	-----	6	25.40	22.86	11.94	8.13
-----	-----	87898-1161	-----	-----	-----	11	-----	1	27.94	25.40	11.94	8.13
-----	-----	87898-1162	-----	-----	-----	11	-----	2	27.94	25.40	11.94	8.13
-----	-----	87898-1164	-----	-----	-----	11	-----	4	27.94	25.40	11.94	8.13
-----	-----	87898-1165	-----	-----	-----	11	-----	5	27.94	25.40	11.94	8.13
-----	-----	87898-1166	-----	-----	-----	11	-----	6	27.94	25.40	11.94	8.13
-----	-----	87898-1261	-----	-----	-----	12	-----	1	30.48	27.94	11.94	8.13
-----	-----	87898-1262	-----	-----	-----	12	-----	2	30.48	27.94	11.94	8.13
-----	-----	87898-1264	-----	-----	-----	12	-----	4	30.48	27.94	11.94	8.13
-----	-----	87898-1265	-----	-----	-----	12	-----	5	30.48	27.94	11.94	8.13
-----	-----	87898-1266	-----	-----	-----	12	-----	6	30.48	27.94	11.94	8.13

REVISE T&R QTY EC NO: S2009-0327 DRWN:SKANG 2008/11/26 CHKD:ATSEE 2008/11/27 APPR:MLONG 2008/11/28	QUALITY SYMBOLS	GENERAL TOLERANCES (UNLESS SPECIFIED)		DIMENSION STYLE MM ONLY		SCALE NTS	DESIGN UNITS METRIC	THIRD ANGLE PROJECTION	
	▽=0	mm	INCH	DRAWN BY	DATE	TITLE			
	∇=0	4 PLACES ± ---	± ---	SKLIM01	2005/10/26	CUSTOM HEADER 2.54MM PITCH SINGLE ROW SINGLE WAFER SMT HEADER			
		3 PLACES ± ---	± ---	CHECKED BY	DATE				
	2 PLACES ± 0.2	± ---	NAGESHKN	2005/10/30	MOLEX INCORPORATED				
	1 PLACE ± ---	± ---	APPROVED BY	DATE					
	ANGULAR ± 3 °			PTLIM	2005/11/07	DOCUMENT NO.		SHEET NO.	
		DRAFT WHERE APPLICABLE MUST REMAIN WITHIN DIMENSIONS		SEE TABLE		SD-87898-003		7 OF 17	
				SIZE A3	THIS DRAWING CONTAINS INFORMATION THAT IS PROPRIETARY TO MOLEX INCORPORATED AND SHOULD NOT BE USED WITHOUT WRITTEN PERMISSION				

PACKAGING OPTION PART NO.

TRY WITHOUT CAP	TRY WITH CAP	TUBE WITHOUT CAP	TUBE WITH CAP	TAPE & REEL WITHOUT CAP	TAPE & REEL WITH CAP	CKT SIZE	VOID POSITION	PLATING TYPE	DIMENSION			
									A	B	F	M
-----	-----	87898-1361	-----	-----	-----	13	----	1	33.02	30.48	11.94	8.13
-----	-----	87898-1362	-----	-----	-----	13	----	2	33.02	30.48	11.94	8.13
-----	-----	87898-1364	-----	-----	-----	13	----	4	33.02	30.48	11.94	8.13
-----	-----	87898-1365	-----	-----	-----	13	----	5	33.02	30.48	11.94	8.13
-----	-----	87898-1366	-----	-----	-----	13	----	6	33.02	30.48	11.94	8.13
-----	-----											
-----	-----	87898-1461	-----	-----	-----	14	----	1	35.56	33.02	11.94	8.13
-----	-----	87898-1462	-----	-----	-----	14	----	2	35.56	33.02	11.94	8.13
-----	-----	87898-1464	-----	-----	-----	14	----	4	35.56	33.02	11.94	8.13
-----	-----	87898-1465	-----	-----	-----	14	----	5	35.56	33.02	11.94	8.13
-----	-----	87898-1466	-----	-----	-----	14	----	6	35.56	33.02	11.94	8.13
-----	-----											
-----	-----	87898-1561	-----	-----	-----	15	----	1	38.10	35.56	11.94	8.13
-----	-----	87898-1562	-----	-----	-----	15	----	2	38.10	35.56	11.94	8.13
-----	-----	87898-1564	-----	-----	-----	15	----	4	38.10	35.56	11.94	8.13
-----	-----	87898-1565	-----	-----	-----	15	----	5	38.10	35.56	11.94	8.13
-----	-----	87898-1566	-----	-----	-----	15	----	6	38.10	35.56	11.94	8.13


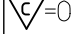
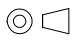

REVISE T&R QTY EC NO: S2009-0327 DRWN:SKANG 2008/11/26 CHKD:ATSEE 2008/11/27 APPR:MLONG 2008/11/28	QUALITY SYMBOLS = 0 = 0.2	GENERAL TOLERANCES (UNLESS SPECIFIED) mm INCH 4 PLACES ± --- ± --- 3 PLACES ± --- ± --- 2 PLACES ± 0.2 ± --- 1 PLACE ± --- ± --- ANGULAR ± 3 °	DIMENSION STYLE MM ONLY DRAWN BY SKLIM01 DATE 2005/10/26 CHECKED BY NAGESHKN DATE 2005/10/30 APPROVED BY PTLIM DATE 2005/11/07	SCALE NTS DESIGN UNITS METRIC THIRD ANGLE PROJECTION	TITLE CUSTOM HEADER 2.54MM PITCH SINGLE ROW SINGLE WAFER SMT HEADER
	DRAFT WHERE APPLICABLE MUST REMAIN WITHIN DIMENSIONS	MATERIAL NO. SEE TABLE SIZE A3 THIS DRAWING CONTAINS INFORMATION THAT IS PROPRIETARY TO MOLEX INCORPORATED AND SHOULD NOT BE USED WITHOUT WRITTEN PERMISSION	MOLEX INCORPORATED DOCUMENT NO. SD-87898-003 SHEET NO. 8 OF 17		

PACKAGING OPTION PART NO.

TRY WITHOUT CAP	TRY WITH CAP	TUBE WITHOUT CAP	TUBE WITH CAP	TAPE & REEL WITHOUT CAP	TAPE & REEL WITH CAP	CKT SIZE	VOID POSITION	PLATING TYPE	DIMENSION			
									A	B	F	M
-----	-----	87898-1661	-----	-----	-----	16	-----	1	40.64	38.10	11.94	8.13
-----	-----	87898-1662	-----	-----	-----	16	-----	2	40.64	38.10	11.94	8.13
-----	-----	87898-1664	-----	-----	-----	16	-----	4	40.64	38.10	11.94	8.13
-----	-----	87898-1665	-----	-----	-----	16	-----	5	40.64	38.10	11.94	8.13
-----	-----	87898-1666	-----	-----	-----	16	-----	6	40.64	38.10	11.94	8.13
-----	-----	87898-1761	-----	-----	-----	17	-----	1	43.18	40.64	11.94	8.13
-----	-----	87898-1762	-----	-----	-----	17	-----	2	43.18	40.64	11.94	8.13
-----	-----	87898-1764	-----	-----	-----	17	-----	4	43.18	40.64	11.94	8.13
-----	-----	87898-1765	-----	-----	-----	17	-----	5	43.18	40.64	11.94	8.13
-----	-----	87898-1766	-----	-----	-----	17	-----	6	43.18	40.64	11.94	8.13
-----	-----	87898-1861	-----	-----	-----	18	-----	1	45.72	43.18	11.94	8.13
-----	-----	87898-1862	-----	-----	-----	18	-----	2	45.72	43.18	11.94	8.13
-----	-----	87898-1864	-----	-----	-----	18	-----	4	45.72	43.18	11.94	8.13
-----	-----	87898-1865	-----	-----	-----	18	-----	5	45.72	43.18	11.94	8.13
-----	-----	87898-1866	-----	-----	-----	18	-----	6	45.72	43.18	11.94	8.13

REVISE T&R QTY EC NO: S2009-0327 DRWN:SKANG 2008/11/26 CHYKD:ATSEE 2008/11/27 APPR:MLONG 2008/11/28	QUALITY SYMBOLS	GENERAL TOLERANCES (UNLESS SPECIFIED)	DIMENSION STYLE	SCALE	DESIGN UNITS	THIRD ANGLE PROJECTION
	▽=0 ◻=0	mm INCH 4 PLACES ± --- ± --- 3 PLACES ± --- ± --- 2 PLACES ± 0.2 ± --- 1 PLACE ± --- ± --- ANGULAR ± 3 °	MM ONLY	NTS	METRIC	☉ ◻ THIRD ANGLE PROJECTION
	DESCRIPTION	DRAFT WHERE APPLICABLE MUST REMAIN WITHIN DIMENSIONS	DRAWN BY	DATE	TITLE	
	REV		SKLIM01	2005/10/26	CUSTOM HEADER	
	B2		CHECKED BY	DATE	2.54MM PITCH SINGLE ROW SINGLE WAFER SMT HEADER	
		PTLIM	2005/11/07	MOLEX INCORPORATED		
		MATERIAL NO.	SEE TABLE	DOCUMENT NO.	SD-87898-003	SHEET NO.
		SIZE	A3	THIS DRAWING CONTAINS INFORMATION THAT IS PROPRIETARY TO MOLEX INCORPORATED AND SHOULD NOT BE USED WITHOUT WRITTEN PERMISSION		

PACKAGING OPTION PART NO.										DIMENSION			
TRY WITHOUT CAP	TRY WITH CAP	TUBE WITHOUT CAP	TUBE WITH CAP	TAPE & REEL WITHOUT CAP	TAPE & REEL WITH CAP	CKT SIZE	VOID POSITION	PLATING TYPE	A	B	F	M	
-----	-----	87898-1961	-----	-----	-----	19	----	1	48.26	45.72	11.94	8.13	
-----	-----	87898-1962	-----	-----	-----	19	----	2	48.26	45.72	11.94	8.13	
-----	-----	87898-1964	-----	-----	-----	19	----	4	48.26	45.72	11.94	8.13	
-----	-----	87898-1965	-----	-----	-----	19	----	5	48.26	45.72	11.94	8.13	
-----	-----	87898-1966	-----	-----	-----	19	----	6	48.26	45.72	11.94	8.13	
-----	-----	87898-2061	-----	-----	-----	20	----	1	50.80	48.26	11.94	8.13	
-----	-----	87898-2062	-----	-----	-----	20	----	2	50.80	48.26	11.94	8.13	
-----	-----	87898-2064	-----	-----	-----	20	----	4	50.80	48.26	11.94	8.13	
-----	-----	87898-2065	-----	-----	-----	20	----	5	50.80	48.26	11.94	8.13	
-----	-----	87898-2066	-----	-----	-----	20	----	6	50.80	48.26	11.94	8.13	
-----	-----	87898-2161	-----	-----	-----	21	----	1	53.34	50.80	11.94	8.13	
-----	-----	87898-2162	-----	-----	-----	21	----	2	53.34	50.80	11.94	8.13	
-----	-----	87898-2164	-----	-----	-----	21	----	4	53.34	50.80	11.94	8.13	
-----	-----	87898-2165	-----	-----	-----	21	----	5	53.34	50.80	11.94	8.13	
-----	-----	87898-2166	-----	-----	-----	21	----	6	53.34	50.80	11.94	8.13	

REVISE T&R QTY EC NO: S2009-0327 2008/11/26 DRWN:SKANG 2008/11/27 CHKD:ATSEE 2008/11/27 APPR:MLONG 2008/11/28	QUALITY SYMBOLS  = 0  = 0	GENERAL TOLERANCES (UNLESS SPECIFIED) <table border="1"> <tr><th></th><th>mm</th><th>INCH</th></tr> <tr><td>4 PLACES</td><td>± ---</td><td>± ---</td></tr> <tr><td>3 PLACES</td><td>± ---</td><td>± ---</td></tr> <tr><td>2 PLACES</td><td>± 0.2</td><td>± ---</td></tr> <tr><td>1 PLACE</td><td>± ---</td><td>± ---</td></tr> </table>		mm	INCH	4 PLACES	± ---	± ---	3 PLACES	± ---	± ---	2 PLACES	± 0.2	± ---	1 PLACE	± ---	± ---	DIMENSION STYLE MM ONLY	SCALE NTS	DESIGN UNITS METRIC	 THIRD ANGLE PROJECTION
		mm	INCH																		
	4 PLACES	± ---	± ---																		
	3 PLACES	± ---	± ---																		
2 PLACES	± 0.2	± ---																			
1 PLACE	± ---	± ---																			
DESCRIPTION DRAFT WHERE APPLICABLE MUST REMAIN WITHIN DIMENSIONS	<table border="1"> <tr><th>DRAWN BY</th><th>DATE</th></tr> <tr><td>SKLIM01</td><td>2005/10/26</td></tr> <tr><th>CHECKED BY</th><th>DATE</th></tr> <tr><td>NAGESHKN</td><td>2005/10/30</td></tr> <tr><th>APPROVED BY</th><th>DATE</th></tr> <tr><td>PTLIM</td><td>2005/11/07</td></tr> </table>	DRAWN BY	DATE	SKLIM01	2005/10/26	CHECKED BY	DATE	NAGESHKN	2005/10/30	APPROVED BY	DATE	PTLIM	2005/11/07	TITLE CUSTOM HEADER 2.54MM PITCH SINGLE ROW SINGLE WAFER SMT HEADER	 MOLEX INCORPORATED	MATERIAL NO. SEE TABLE	DOCUMENT NO. SD-87898-003	SHEET NO. 10 OF 17			
DRAWN BY	DATE																				
SKLIM01	2005/10/26																				
CHECKED BY	DATE																				
NAGESHKN	2005/10/30																				
APPROVED BY	DATE																				
PTLIM	2005/11/07																				
SIZE A3	THIS DRAWING CONTAINS INFORMATION THAT IS PROPRIETARY TO MOLEX INCORPORATED AND SHOULD NOT BE USED WITHOUT WRITTEN PERMISSION																				

PACKAGING OPTION PART NO.						CKT SIZE	VOID POSITION	PLATING TYPE	DIMENSION			
TRY WITHOUT CAP	TRY WITH CAP	TUBE WITHOUT CAP	TUBE WITH CAP	TAPE & REEL WITHOUT CAP	TAPE & REEL WITH CAP				A	B	F	M
F	-----	-----	87898-2261	-----	-----	22	----	1	55.88	53.34	11.94	8.13
	-----	-----	87898-2262	-----	-----	22	----	2	55.88	53.34	11.94	8.13
	-----	-----	87898-2264	-----	-----	22	----	4	55.88	53.34	11.94	8.13
	-----	-----	87898-2265	-----	-----	22	----	5	55.88	53.34	11.94	8.13
	-----	-----	87898-2266	-----	-----	22	----	6	55.88	53.34	11.94	8.13
E												
	-----	-----	87898-2361	-----	-----	23	----	1	58.42	55.88	11.94	8.13
	-----	-----	87898-2362	-----	-----	23	----	2	58.42	55.88	11.94	8.13
	-----	-----	87898-2364	-----	-----	23	----	4	58.42	55.88	11.94	8.13
	-----	-----	87898-2365	-----	-----	23	----	5	58.42	55.88	11.94	8.13
	-----	-----	87898-2366	-----	-----	23	----	6	58.42	55.88	11.94	8.13
D												
	-----	-----	87898-2461	-----	-----	24	----	1	60.96	58.42	11.94	8.13
	-----	-----	87898-2462	-----	-----	24	----	2	60.96	58.42	11.94	8.13
	-----	-----	87898-2464	-----	-----	24	----	4	60.96	58.42	11.94	8.13
	-----	-----	87898-2465	-----	-----	24	----	5	60.96	58.42	11.94	8.13
	-----	-----	87898-2466	-----	-----	24	----	6	60.96	58.42	11.94	8.13

REVISE T&R QTY EC NO: S2009-0327 DRWN:SKANG 2008/11/26 CHKD:ATSEE 2008/11/27 APPR:MLONG 2008/11/28	QUALITY SYMBOLS ▽=0 ◻=0	GENERAL TOLERANCES (UNLESS SPECIFIED)		DIMENSION STYLE MM ONLY		SCALE NTS	DESIGN UNITS METRIC	THIRD ANGLE PROJECTION		
			mm	INCH	DRAWN BY SKLIM01	DATE 2005/10/26	TITLE CUSTOM HEADER 2.54MM PITCH SINGLE ROW SINGLE WAFER SMT HEADER			
		4 PLACES	± ---	± ---	CHECKED BY NAGESHKN	DATE 2005/10/30	MOLEX INCORPORATED			
		3 PLACES	± ---	± ---	APPROVED BY PTLIM	DATE 2005/11/07	MATERIAL NO. SEE TABLE		DOCUMENT NO. SD-87898-003	SHEET NO. 11 OF 17
2 PLACES	± 0.2	± ---	ANGULAR ± 3 °		DRAFT WHERE APPLICABLE MUST REMAIN WITHIN DIMENSIONS					
1 PLACE	± ---	± ---	THIS DRAWING CONTAINS INFORMATION THAT IS PROPRIETARY TO MOLEX INCORPORATED AND SHOULD NOT BE USED WITHOUT WRITTEN PERMISSION							

PACKAGING OPTION PART NO.

TRY WITHOUT CAP	TRY WITH CAP	TUBE WITHOUT CAP	TUBE WITH CAP	TAPE & REEL WITHOUT CAP	TAPE & REEL WITH CAP	CKT SIZE	VOID POSITION	PLATING TYPE	DIMENSION			
									A	B	F	M
-----	-----	87898-2561	-----	-----	-----	25	----	1	63.50	60.96	11.94	8.13
-----	-----	87898-2562	-----	-----	-----	25	----	2	63.50	60.96	11.94	8.13
-----	-----	87898-2564	-----	-----	-----	25	----	4	63.50	60.96	11.94	8.13
-----	-----	87898-2565	-----	-----	-----	25	----	5	63.50	60.96	11.94	8.13
-----	-----	87898-2566	-----	-----	-----	25	----	6	63.50	60.96	11.94	8.13
-----	-----	87898-2661	-----	-----	-----	26	----	1	66.04	63.50	11.94	8.13
-----	-----	87898-2662	-----	-----	-----	26	----	2	66.04	63.50	11.94	8.13
-----	-----	87898-2664	-----	-----	-----	26	----	4	66.04	63.50	11.94	8.13
-----	-----	87898-2665	-----	-----	-----	26	----	5	66.04	63.50	11.94	8.13
-----	-----	87898-2666	-----	-----	-----	26	----	6	66.04	63.50	11.94	8.13
-----	-----	87898-2761	-----	-----	-----	27	----	1	68.58	66.04	11.94	8.13
-----	-----	87898-2762	-----	-----	-----	27	----	2	68.58	66.04	11.94	8.13
-----	-----	87898-2764	-----	-----	-----	27	----	4	68.58	66.04	11.94	8.13
-----	-----	87898-2765	-----	-----	-----	27	----	5	68.58	66.04	11.94	8.13
-----	-----	87898-2766	-----	-----	-----	27	----	6	68.58	66.04	11.94	8.13

REVISE T&R QTY EC NO: S2009-0327 DRWN:SKANG CHKD:ATSEE APPR:MLONG 2008/11/26 2008/11/27 2008/11/28	QUALITY SYMBOLS	GENERAL TOLERANCES (UNLESS SPECIFIED)	DIMENSION STYLE	SCALE	DESIGN UNITS	THIRD ANGLE PROJECTION
	▽=0 □=0	mm INCH 4 PLACES ± --- ± --- 3 PLACES ± --- ± --- 2 PLACES ± 0.2 ± --- 1 PLACE ± --- ± --- ANGULAR ± 3 °	MM ONLY	NTS	METRIC	☉ □ THIRD ANGLE PROJECTION
	DESCRIPTION	DRAFT WHERE APPLICABLE MUST REMAIN WITHIN DIMENSIONS	DRAWN BY	DATE	TITLE	
	REV		SKLIM01	2005/10/26	CUSTOM HEADER	
	B2		PTLIM	2005/11/07	2.54MM PITCH SINGLE ROW SINGLE WAFER SMT HEADER	
				APPROVED BY	DATE	MOLEX INCORPORATED
				DATE		
				MATERIAL NO.	DOCUMENT NO.	SHEET NO.
				SEE TABLE	SD-87898-003	12 OF 17
				SIZE	THIS DRAWING CONTAINS INFORMATION THAT IS PROPRIETARY TO MOLEX INCORPORATED AND SHOULD NOT BE USED WITHOUT WRITTEN PERMISSION	
				A3		


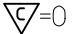
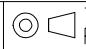
PACKAGING OPTION PART NO.						CKT SIZE	VOID POSITION	PLATING TYPE	DIMENSION			
TRY WITHOUT CAP	TRY WITH CAP	TUBE WITHOUT CAP	TUBE WITH CAP	TAPE & REEL WITHOUT CAP	TAPE & REEL WITH CAP				A	B	F	M
-----	-----	87898-2861	-----	-----	-----	28	----	1	71.12	68.58	11.94	8.13
-----	-----	87898-2862	-----	-----	-----	28	----	2	71.12	68.58	11.94	8.13
-----	-----	87898-2864	-----	-----	-----	28	----	4	71.12	68.58	11.94	8.13
-----	-----	87898-2865	-----	-----	-----	28	----	5	71.12	68.58	11.94	8.13
-----	-----	87898-2866	-----	-----	-----	28	----	6	71.12	68.58	11.94	8.13
-----	-----	87898-2961	-----	-----	-----	29	----	1	73.66	71.12	11.94	8.13
-----	-----	87898-2962	-----	-----	-----	29	----	2	73.66	71.12	11.94	8.13
-----	-----	87898-2964	-----	-----	-----	29	----	4	73.66	71.12	11.94	8.13
-----	-----	87898-2965	-----	-----	-----	29	----	5	73.66	71.12	11.94	8.13
-----	-----	87898-2966	-----	-----	-----	29	----	6	73.66	71.12	11.94	8.13
-----	-----	87898-3061	-----	-----	-----	30	----	1	76.20	73.66	11.94	8.13
-----	-----	87898-3062	-----	-----	-----	30	----	2	76.20	73.66	11.94	8.13
-----	-----	87898-3064	-----	-----	-----	30	----	4	76.20	73.66	11.94	8.13
-----	-----	87898-3065	-----	-----	-----	30	----	5	76.20	73.66	11.94	8.13
-----	-----	87898-3066	-----	-----	-----	30	----	6	76.20	73.66	11.94	8.13

REVISE T&R QTY EC NO: S2009-0327 DRWN:SKANG 2008/11/26 CHKD:ATSEE 2008/11/27 APPR:MLONG 2008/11/28	QUALITY SYMBOLS =0 =0	GENERAL TOLERANCES (UNLESS SPECIFIED)		DIMENSION STYLE MM ONLY		SCALE NTS	DESIGN UNITS METRIC	THIRD ANGLE PROJECTION			
		4 PLACES ± --- ± ---	3 PLACES ± --- ± ---	DRAWN BY SKLIM01	DATE 2005/10/26	TITLE CUSTOM HEADER 2.54MM PITCH SINGLE ROW SINGLE WAFER SMT HEADER					
		2 PLACES ± 0.2 ± ---	1 PLACE ± --- ± ---	CHECKED BY NAGESHKN	DATE 2005/10/30	MATERIAL NO. SEE TABLE					
		ANGULAR ± 3 °		APPROVED BY PTLIM	DATE 2005/11/07	MOLEX INCORPORATED		DOCUMENT NO. SD-87898-003	SHEET NO. 13 OF 17		
DRAFT WHERE APPLICABLE MUST REMAIN WITHIN DIMENSIONS		THIS DRAWING CONTAINS INFORMATION THAT IS PROPRIETARY TO MOLEX INCORPORATED AND SHOULD NOT BE USED WITHOUT WRITTEN PERMISSION									

PACKAGING OPTION PART NO.						CKT SIZE	VOID POSITION	PLATING TYPE	DIMENSION			
TRY WITHOUT CAP	TRY WITH CAP	TUBE WITHOUT CAP	TUBE WITH CAP	TAPE & REEL WITHOUT CAP	TAPE & REEL WITH CAP				A	B	F	M
-----	-----	87898-3161	-----	-----	-----	31	----	1	78.74	76.20	11.94	8.13
-----	-----	87898-3162	-----	-----	-----	31	----	2	78.74	76.20	11.94	8.13
-----	-----	87898-3164	-----	-----	-----	31	----	4	78.74	76.20	11.94	8.13
-----	-----	87898-3165	-----	-----	-----	31	----	5	78.74	76.20	11.94	8.13
-----	-----	87898-3166	-----	-----	-----	31	----	6	78.74	76.20	11.94	8.13
-----	-----	87898-3261	-----	-----	-----	32	----	1	81.28	78.74	11.94	8.13
-----	-----	87898-3262	-----	-----	-----	32	----	2	81.28	78.74	11.94	8.13
-----	-----	87898-3264	-----	-----	-----	32	----	4	81.28	78.74	11.94	8.13
-----	-----	87898-3265	-----	-----	-----	32	----	5	81.28	78.74	11.94	8.13
-----	-----	87898-3266	-----	-----	-----	32	----	6	81.28	78.74	11.94	8.13
-----	-----	87898-3361	-----	-----	-----	33	----	1	83.82	81.28	11.94	8.13
-----	-----	87898-3362	-----	-----	-----	33	----	2	83.82	81.28	11.94	8.13
-----	-----	87898-3364	-----	-----	-----	33	----	4	83.82	81.28	11.94	8.13
-----	-----	87898-3365	-----	-----	-----	33	----	5	83.82	81.28	11.94	8.13
-----	-----	87898-3366	-----	-----	-----	33	----	6	83.82	81.28	11.94	8.13

REVISE T&R QTY EC NO: S2009-0327 DRWN:SKANG 2008/11/26 CHKD:ATSEE 2008/11/27 APPR:MLONG 2008/11/28	DESCRIPTION REV	QUALITY SYMBOLS = 0 = 0.2	GENERAL TOLERANCES (UNLESS SPECIFIED) <table border="1"> <tr><th colspan="2">mm</th><th>INCH</th></tr> <tr><td>4 PLACES</td><td>± ---</td><td>± ---</td></tr> <tr><td>3 PLACES</td><td>± ---</td><td>± ---</td></tr> <tr><td>2 PLACES</td><td>± 0.2</td><td>± ---</td></tr> <tr><td>1 PLACE</td><td>± ---</td><td>± ---</td></tr> </table>	mm		INCH	4 PLACES	± ---	± ---	3 PLACES	± ---	± ---	2 PLACES	± 0.2	± ---	1 PLACE	± ---	± ---	DIMENSION STYLE MM ONLY	SCALE NTS	DESIGN UNITS METRIC	THIRD ANGLE PROJECTION
		mm		INCH																		
		4 PLACES	± ---	± ---																		
		3 PLACES	± ---	± ---																		
2 PLACES	± 0.2	± ---																				
1 PLACE	± ---	± ---																				
DRAWN BY SKLIM01	DATE 2005/10/26	TITLE CUSTOM HEADER 2.54MM PITCH SINGLE ROW SINGLE WAFER SMT HEADER																				
CHECKED BY NAGESHKN	DATE 2005/10/30	MOLEX INCORPORATED																				
APPROVED BY PTLIM	DATE 2005/11/07	MATERIAL NO. SEE TABLE	DOCUMENT NO. SD-87898-003																			

PACKAGING OPTION PART NO.						CKT SIZE	VOID POSITION	PLATING TYPE	DIMENSION			
TRY WITHOUT CAP	TRY WITH CAP	TUBE WITHOUT CAP	TUBE WITH CAP	TAPE & REEL WITHOUT CAP	TAPE & REEL WITH CAP				A	B	F	M
-----	-----	87898-3461	-----	-----	-----	34	----	1	86.36	83.82	11.94	8.13
-----	-----	87898-3462	-----	-----	-----	34	----	2	86.36	83.82	11.94	8.13
-----	-----	87898-3464	-----	-----	-----	34	----	4	86.36	83.82	11.94	8.13
-----	-----	87898-3465	-----	-----	-----	34	----	5	86.36	83.82	11.94	8.13
-----	-----	87898-3466	-----	-----	-----	34	----	6	86.36	83.82	11.94	8.13
-----	-----	87898-3561	-----	-----	-----	35	----	1	88.90	86.36	11.94	8.13
-----	-----	87898-3562	-----	-----	-----	35	----	2	88.90	86.36	11.94	8.13
-----	-----	87898-3564	-----	-----	-----	35	----	4	88.90	86.36	11.94	8.13
-----	-----	87898-3565	-----	-----	-----	35	----	5	88.90	86.36	11.94	8.13
-----	-----	87898-3566	-----	-----	-----	35	----	6	88.90	86.36	11.94	8.13
-----	-----	87898-3661	-----	-----	-----	36	----	1	91.44	88.90	11.94	8.13
-----	-----	87898-3662	-----	-----	-----	36	----	2	91.44	88.90	11.94	8.13
-----	-----	87898-3664	-----	-----	-----	36	----	4	91.44	88.90	11.94	8.13
-----	-----	87898-3665	-----	-----	-----	36	----	5	91.44	88.90	11.94	8.13
-----	-----	87898-3666	-----	-----	-----	36	----	6	91.44	88.90	11.94	8.13

REVISE T&R QTY EC NO: S2009-0327 DRWN:SKANG CHKD:ATSEE APPR:MLONG	2008/11/26 2008/11/27 2008/11/28	DESCRIPTION REV	QUALITY SYMBOLS  = 0  = 0.2	GENERAL TOLERANCES (UNLESS SPECIFIED) <table border="1"> <tr> <td></td> <td>mm</td> <td>INCH</td> </tr> <tr> <td>4 PLACES</td> <td>± ---</td> <td>± ---</td> </tr> <tr> <td>3 PLACES</td> <td>± ---</td> <td>± ---</td> </tr> <tr> <td>2 PLACES</td> <td>± 0.2</td> <td>± ---</td> </tr> <tr> <td>1 PLACE</td> <td>± ---</td> <td>± ---</td> </tr> </table>		mm	INCH	4 PLACES	± ---	± ---	3 PLACES	± ---	± ---	2 PLACES	± 0.2	± ---	1 PLACE	± ---	± ---	DIMENSION STYLE MM ONLY	SCALE NTS	DESIGN UNITS METRIC	 THIRD ANGLE PROJECTION
				mm	INCH																		
			4 PLACES	± ---	± ---																		
			3 PLACES	± ---	± ---																		
2 PLACES	± 0.2	± ---																					
1 PLACE	± ---	± ---																					
DRAWN BY: SKLIM01 DATE: 2005/10/26		TITLE CUSTOM HEADER 2.54MM PITCH SINGLE ROW SINGLE WAFER SMT HEADER																					
CHECKED BY: NAGESHKN DATE: 2005/10/30		APPROVED BY: PTLIM DATE: 2005/11/07																					
MATERIAL NO. SEE TABLE		DOCUMENT NO. SD-87898-003																					


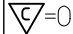
PACKAGING OPTION PART NO.

TRY WITHOUT CAP	TRY WITH CAP	TUBE WITHOUT CAP	TUBE WITH CAP	TAPE & REEL WITHOUT CAP	TAPE & REEL WITH CAP	CKT SIZE	VOID POSITION	PLATING TYPE	DIMENSION			
									A	B	F	M
-----	-----	87898-3761	-----	-----	-----	37	----	1	93.98	91.44	11.94	8.13
-----	-----	87898-3762	-----	-----	-----	37	----	2	93.98	91.44	11.94	8.13
-----	-----	87898-3764	-----	-----	-----	37	----	4	93.98	91.44	11.94	8.13
-----	-----	87898-3765	-----	-----	-----	37	----	5	93.98	91.44	11.94	8.13
-----	-----	87898-3766	-----	-----	-----	37	----	6	93.98	91.44	11.94	8.13
-----	-----	87898-3861	-----	-----	-----	38	----	1	96.52	93.98	11.94	8.13
-----	-----	87898-3862	-----	-----	-----	38	----	2	96.52	93.98	11.94	8.13
-----	-----	87898-3864	-----	-----	-----	38	----	4	96.52	93.98	11.94	8.13
-----	-----	87898-3865	-----	-----	-----	38	----	5	96.52	93.98	11.94	8.13
-----	-----	87898-3866	-----	-----	-----	38	----	6	96.52	93.98	11.94	8.13
-----	-----	87898-3961	-----	-----	-----	39	----	1	99.06	96.52	11.94	8.13
-----	-----	87898-3962	-----	-----	-----	39	----	2	99.06	96.52	11.94	8.13
-----	-----	87898-3964	-----	-----	-----	39	----	4	99.06	96.52	11.94	8.13
-----	-----	87898-3965	-----	-----	-----	39	----	5	99.06	96.52	11.94	8.13
-----	-----	87898-3966	-----	-----	-----	39	----	6	99.06	96.52	11.94	8.13

REVISE T&R QTY EC NO: S2009-0327 DRWN:SKANG 2008/11/26 CHKD:ATSEE 2008/11/27 APPR:MLONG 2008/11/28	QUALITY SYMBOLS =0 =0	GENERAL TOLERANCES (UNLESS SPECIFIED)		DIMENSION STYLE MM ONLY		SCALE NTS	DESIGN UNITS METRIC	THIRD ANGLE PROJECTION			
		4 PLACES ± --- ± ---	3 PLACES ± --- ± ---	2 PLACES ± 0.2 ± ---	1 PLACE ± --- ± ---	DRAWN BY SKLIM01	DATE 2005/10/26	TITLE CUSTOM HEADER 2.54MM PITCH SINGLE ROW SINGLE WAFER SMT HEADER			
		ANGULAR ± 3 °				CHECKED BY NAGESHKN	DATE 2005/10/30	MOLEX INCORPORATED			
		DRAFT WHERE APPLICABLE MUST REMAIN WITHIN DIMENSIONS				APPROVED BY PTLIM	DATE 2005/11/07	MATERIAL NO. SEE TABLE	DOCUMENT NO. SD-87898-003	SHEET NO. 16 OF 17	

PACKAGING OPTION PART NO.

TRY WITHOUT CAP	TRY WITH CAP	TUBE WITHOUT CAP	TUBE WITH CAP	TAPE & REEL WITHOUT CAP	TAPE & REEL WITH CAP	CKT SIZE	VOID POSITION	PLATING TYPE	DIMENSION			
									A	B	F	M
-----	-----	87898-4061	-----	-----	-----	40	----	1	101.6	99.06	11.94	8.13
-----	-----	87898-4062	-----	-----	-----	40	----	2	101.6	99.06	11.94	8.13
-----	-----	87898-4064	-----	-----	-----	40	----	4	101.6	99.06	11.94	8.13
-----	-----	87898-4065	-----	-----	-----	40	----	5	101.6	99.06	11.94	8.13
-----	-----	87898-4066	-----	-----	-----	40	----	6	101.6	99.06	11.94	8.13

REVISE T&R QTY EC NO: S2009-0327 DRWN:SKANG CHKD:ATSEE APPR:MLONG 2008/11/26 2008/11/27 2008/11/28	QUALITY SYMBOLS	GENERAL TOLERANCES (UNLESS SPECIFIED)		DIMENSION STYLE MM ONLY		SCALE NTS	DESIGN UNITS METRIC	THIRD ANGLE PROJECTION		
	 = 0  = 0.2	4 PLACES ± --- ± --- 3 PLACES ± --- ± --- 2 PLACES ± 0.2 ± --- 1 PLACE ± --- ± ---	mm	INCH	DRAWN BY SKLIM01	DATE 2005/10/26	TITLE CUSTOM HEADER 2.54MM PITCH SINGLE ROW SINGLE WAFER SMT HEADER			
		ANGULAR ± 3 °			CHECKED BY NAGESHKN	DATE 2005/10/30	MOLEX INCORPORATED			
		DRAFT WHERE APPLICABLE MUST REMAIN WITHIN DIMENSIONS	SEE TABLE		APPROVED BY PTLIM	DATE 2005/11/07	DOCUMENT NO. SD-87898-003		SHEET NO. 17 OF 17	
					MATERIAL NO.		THIS DRAWING CONTAINS INFORMATION THAT IS PROPRIETARY TO MOLEX INCORPORATED AND SHOULD NOT BE USED WITHOUT WRITTEN PERMISSION			