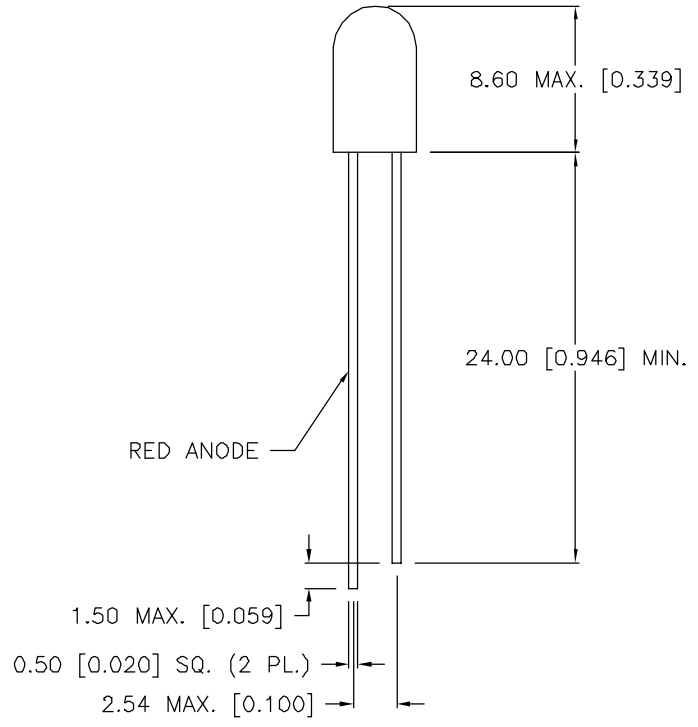
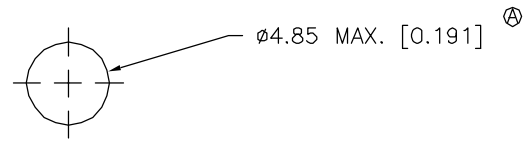


DATE	REVISIONS	REV
9-16-92	REDRAWN, CHG'D. DIA FROM 4.8 TO 4.85 MAX./	A
9-12-95	REDRAWN, UPDATED SAFE OPER. SPECS./	B

DRAWING NUMBER	REV
SSL-LX509F3IGW	B

ELECTRO-OPTICAL CHARACTERISTICS $T_A=25^{\circ}\text{C}$ $I_f=20\text{mA}$

PARAMETER	MIN	TYP	MAX	UNITS	TEST COND
PEAK WAVELENGTH		635 (RED) 565 (GREEN)		nm	
FORWARD VOLTAGE (R/G)		2.0	2.8	V_f	
REVERSE VOLTAGE	5.0			V_r	$I_f=100\mu\text{A}$
AXIAL INTENSITY (R/G)		12		mcd	$I_f=20\text{mA}$
VIEWING ANGLE		80		2x theta	
EMITTED COLOR	RED/GREEN				
EPOXY LENS FINISH	MILKY WHITE DIFFUSED				



$\text{\textcircled{X}}$ LIMITS OF SAFE OPERATION AT 25°C

PARAMETER	MAX	UNITS
PEAK FORWARD CURRENT*(R/G)	150	mA
STEADY CURRENT (R/G)	30/25	mA
POWER DISSIPATION (R/G)	105	mW
DERATE FROM 25°C	-1.2	mW/ $^{\circ}\text{C}$
OPERATING, STORAGE TEMP	-40 TO +85	$^{\circ}\text{C}$
LEAD SOLDERING TEMP	+260	$^{\circ}\text{C}$
2.0mm FROM BODY		3 SEC. MAX

* $t < 10\mu\text{s}$

RELIABILITY NOTE
 OUR MANY YEARS OF EXPERIENCE DATA ACCUMULATION INDICATE THAT SOLDER HEAT IS A MAJOR CAUSE OF EARLY AND FUTURE FAILURE. PLEASE PAY ATTENTION TO YOUR SOLDERING PROCESS.

LUMEX OPTO COMPONENTS INC.	292 E. HELLEN ROAD PALATINE, ILLINOIS 60067 (708) 359-2790
--------------------------------------	--

CONFIDENTIAL INFORMATION
 THE INFORMATION CONTAINED IN THIS DOCUMENT IS THE PROPERTY OF LUMEX OPTO/COMPONENTS, INC. EXCEPT AS SPECIFICALLY AUTHORIZED IN WRITING BY LUMEX OPTO/COMPONENTS, INC., THE HOLDER OF THIS DOCUMENT SHALL KEEP ALL INFORMATION CONTAINED HEREIN CONFIDENTIAL AND SHALL PROTECT SAME IN WHOLE OR IN PART FROM DISCLOSURE AND DISSEMINATION TO ALL THIRD PARTIES.

DATE: 4-10-92	DWN:	CHK'D:	APPD:
SCALE: N/A			

T-5 (T-1 3/4) FLANGELESS LED, BICOLOR
 MILKY WHITE DIFFUSED

PAGE 1 OF 1	DRAWING NUMBER SSL-LX509F3IGW	REV B
-------------	----------------------------------	----------