

**PLEASE CHECK WWW.MOLEX.COM FOR LATEST PART INFORMATION**

**Part Number:** [0521170411](#)  
**Status:** **Active**  
**Overview:** [splash\\_proof](#)  
**Description:** 2.50mm (.098") Pitch Splash Proof Wire-to-Wire Receptacle Housing, 4 Circuits

**Documents:**

[3D Model](#) [Product Specification PS-52117-006 \(PDF\)](#)  
[Drawing \(PDF\)](#) [RoHS Certificate of Compliance \(PDF\)](#)  
[Product Specification PS-52117-005 \(PDF\)](#)

**General**

Product Family Crimp Housings  
 Series [52117](#)  
 Overview [splash\\_proof](#)  
 Product Name Splash Proof

**Physical**

Circuits (maximum) 4  
 Color - Resin Black  
 Gender Receptacle  
 Glow-Wire Compliant No  
 Lock to Mating Part Yes  
 Material - Resin Polyester  
 Number of Rows 1  
 Packaging Type Tray  
 Panel Mount No  
 Pitch - Mating Interface (in) 0.098 In  
 Pitch - Mating Interface (mm) 2.50 mm  
 Stackable No  
 Temperature Range - Operating -40°C to +105°C

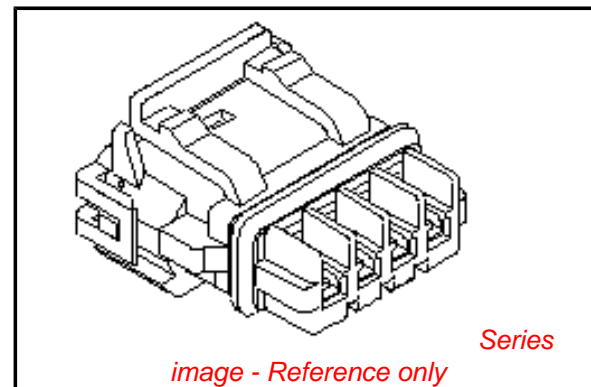
**Electrical**

Current - Maximum per Contact 3A

**Material Info**

**Reference - Drawing Numbers**

Packaging Specification SPK-52117-001  
 Product Specification PS-52117-005, PS-52117-006  
 Sales Drawing SD-52117-041\*



**EU RoHS**

**ELV and RoHS  
Compliant**  
**REACH SVHC**  
 Not Reviewed  
**Halogen-Free  
Status**

**China RoHS**



**Need more information on product  
environmental compliance?**

Email [productcompliance@molex.com](mailto:productcompliance@molex.com)  
 For a multiple part number RoHS Certificate of Compliance, [click here](#)

Please visit the [Contact Us](#) section for any non-product compliance questions.

**Search Parts in this Series**

52117Series

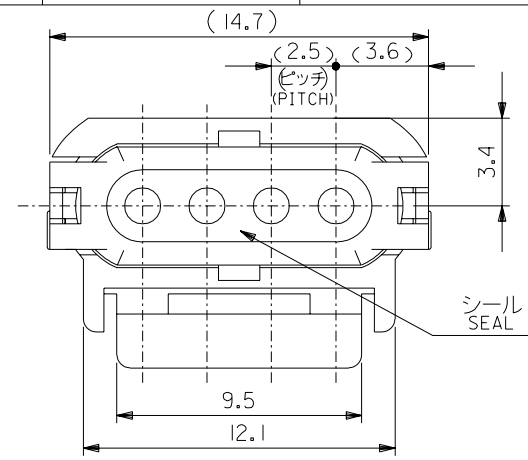
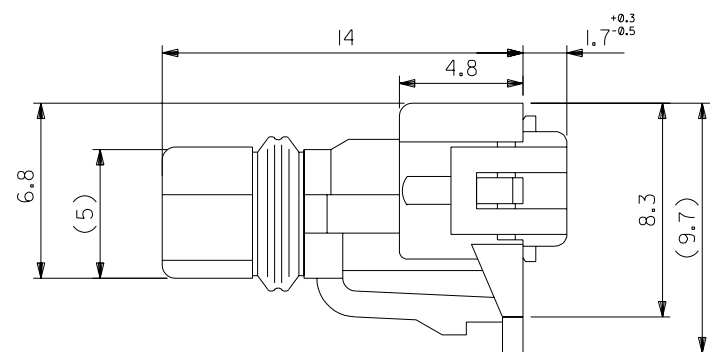
**Mates With**

52116

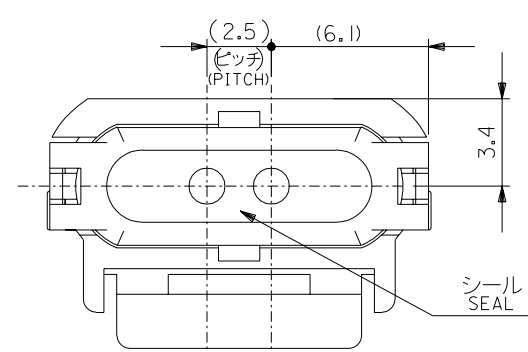
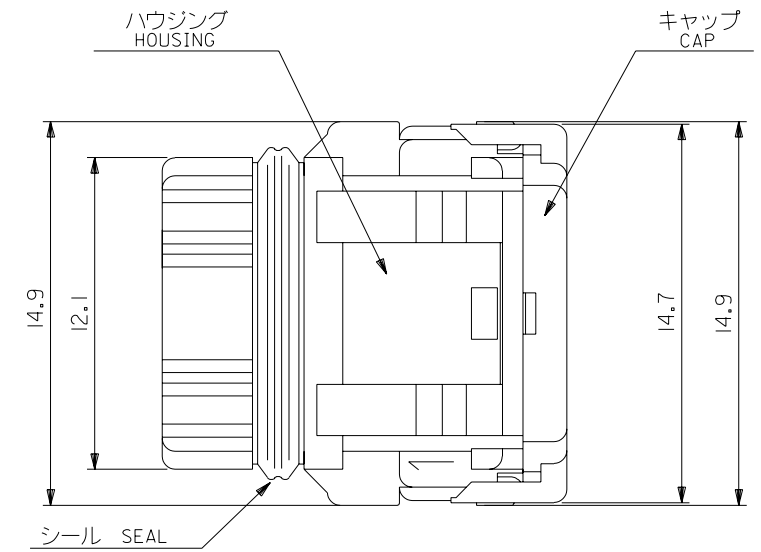
**Use With**

50039

DWG. NO. SD-52117-041\*



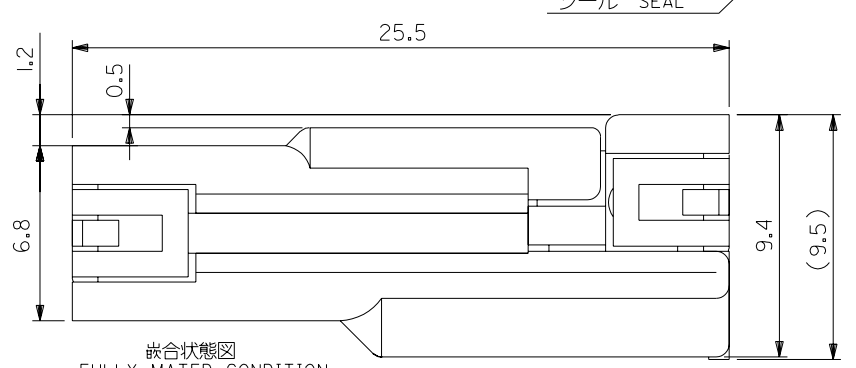
52117-0410, 52117-0411, 52117-0412



52117-0413

注記 NOTES

- 適合ターミナル: 50039-8\*00  
APPLICABLE TERMINAL: 50039-8\*00
- 材料: MATERIAL:  
 キャップ: ポリエステル (ガラス15%含有)  
 CAP: POLYESTER (15%G.F.)  
 ハウジング: ポリエステル (ガラス15%含有)  
 HOUSING: POLYESTER (15%G.F.)  
 シール: シリコンゴム  
 SEAL: SILICONE
- 適合相手: 52116-041\*  
MATES WITH: 52116-041\*



嵌合状態図 FULLY MATED CONDITION

AVS0.3, AWG#20-22	黒	BLACK	52117-0413
AVS0.3, AWG#20-22	赤	RED	52117-0412
AVS0.3, AWG#20-22	黒	BLACK	52117-0411
AVS0.3, AWG#20-22	白	WHITE	52117-0410
適用電線範囲 WIRE RANGE	ハウジングの色 HS'G COLOR		製品番号 ENG. NO.

材料 MATERIAL				注記参照 SEE NOTES				MATERIAL				MOLEX-JAPAN CO.,LTD. 日本モレックス株式会社			
仕上げ FINISH				//				適用電線範囲 表参照 WIRE RANGE SEE CHART				REVISE ONLY ON CAD SYSTEM			
角度 ANGLE				+3°				C 変更 (J2003-1723) REVISED				A.I. 02/12/24			
30以上 OVER				+0.3				B 変更 (J45032) REVISED				Y.H.Y. 94/4/12			
10以上 OVER 30未下 UNDER				+0.25				A 変更 (J90218)				Y.A.M.S. 3/17/88			
10未下 UNDER				+0.2				0 新規作図 (J80600)				Y.A. 7/12/88			
一般公差 GENERAL TOLERANCES				記号 LTR				変更内容 REVISION RECORD				DR. 日付 DATE			
												材料 MATERIAL			
												仕上げ FINISH			
												適用電線範囲 表参照 WIRE RANGE SEE CHART			
												被覆外径 INS. RANGE			
												DRAWN BY 7/12/88			
												CHK'D BY '94/4/12			
												M.SAKANO			
												DWG. NO.			
												SD-52117-041*			
												REV C			