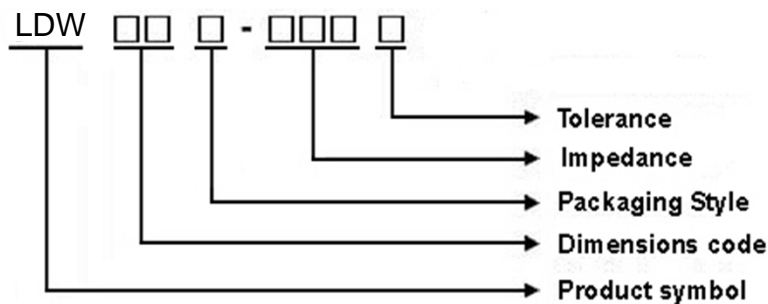


1 Scope: This specification applies to LDW31T FILTER

2 Part Numbering:



3 Rating:

Operating Temperature: $-40^{\circ}\text{C} \sim 105^{\circ}\text{C}$ (Including self - temperature rise)

Storage Temperature: $20^{\circ}\text{C} \sim 25^{\circ}\text{C}$ R.H. 65% (In Tape & Reel Condition)

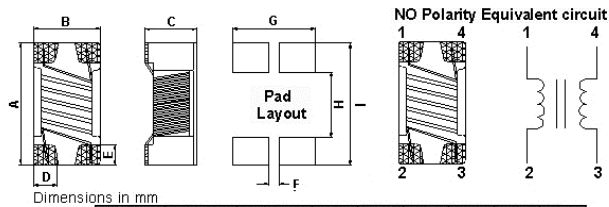
4 Marking:



5 Standard Testing Condition

| | Unless otherwise specified | In case of doubt |
|-------------|----------------------------------|------------------|
| Temperature | Ordinary Temperature(15 to 35°C) | 20 to 30°C |
| Humidity | Ordinary Humidity(25 to 85% RH) | 50 to 80 %RH |

6 Configuration and Dimensions:



Dimensions in mm

| A | B | C | D | E | F | G | H | I |
|---------|---------|---------|-----|-----|-----|-----|-----|-----|
| 3.2±0.2 | 1.6±0.2 | 1.9±0.2 | 0.5 | 0.6 | 0.4 | 1.6 | 1.6 | 3.7 |

7 Electrical Characteristics:

| Part No. | Z (Ω) | RDC (Ω)Max. | IDC (mA) | Rated Voltage (Vdc) | Withstanding Voltage (Vdc) | Insulation Resistance (MΩ)(min) | Tolerance (±%) | Test Freq. (MHz) |
|-------------|----------|----------------|-------------|---------------------------|----------------------------------|---------------------------------------|-------------------|---------------------|
| LDW31T-900M | 90 | 0.3 | 370 | 50 | 125 | 10 | 20 | 100 |
| LDW31T-121M | 120 | 0.3 | 370 | 50 | 125 | 10 | 20 | 100 |
| LDW31T-161M | 160 | 0.4 | 340 | 50 | 125 | 10 | 20 | 100 |
| LDW31T-221M | 220 | 0.4 | 320 | 50 | 125 | 10 | 20 | 100 |
| LDW31T-261M | 260 | 0.5 | 310 | 50 | 125 | 10 | 20 | 100 |
| LDW31T-601M | 600 | 0.8 | 260 | 50 | 125 | 10 | 20 | 100 |
| LDW31T-102M | 1000 | 1 | 230 | 50 | 125 | 10 | 20 | 100 |
| LDW31T-222M | 2200 | 1.2 | 200 | 50 | 125 | 10 | 20 | 100 |

NOTE: □-tolerance M=±20%

1. Operating temperature range – 40 °C ~ 105 °C (Including self - temperature rise)

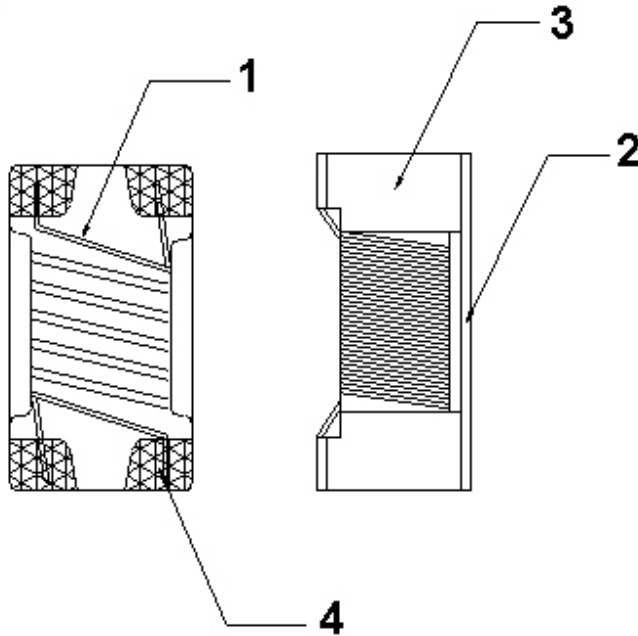
2. RDC: SINGLE WIRE TEST VALUE

3. IDC for Inductance drop 10% from its value without current.

"-N" FOR COMPLETELY LEAD FREE TYPE(INCLUDING FERRITE BODY & SOLDER)

8 LDW31T Series

8.1 Construction:



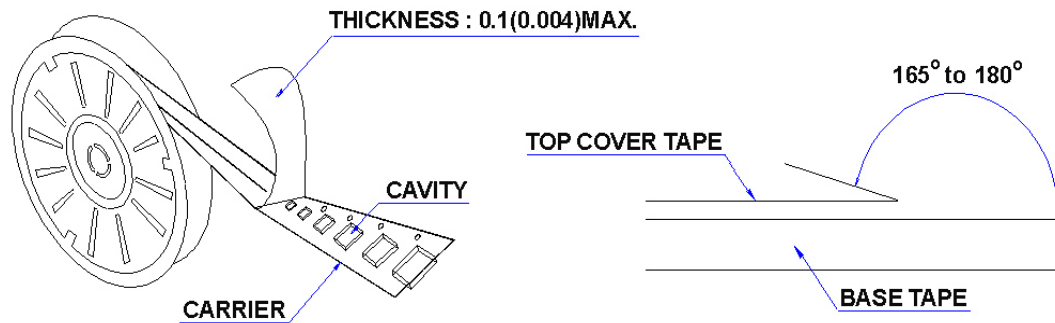
8.2 Material List:

| No | Part | Material |
|----|-------------|-------------|
| 1 | WIRE | Grade 180 |
| 2 | Cover sheet | FERRITE |
| 3 | CORE | FERRITE |
| 4 | TERMINAL | Ag/Cu/Ni/Sn |

9 Packaging:

9.1 Packaging -Cover Tape

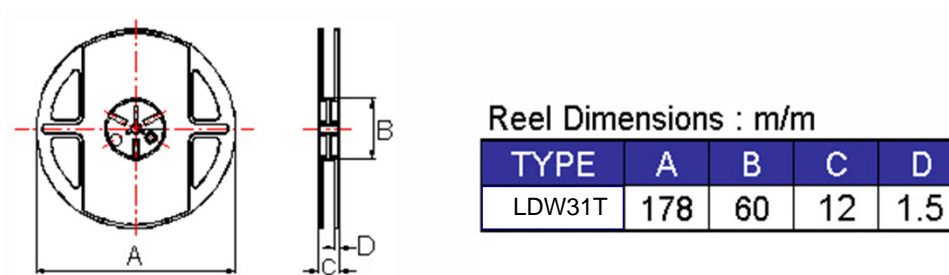
The force for tearing off cover tape is 10 to 100 grams in the arrow direction.



9.2 Packaging Quantity

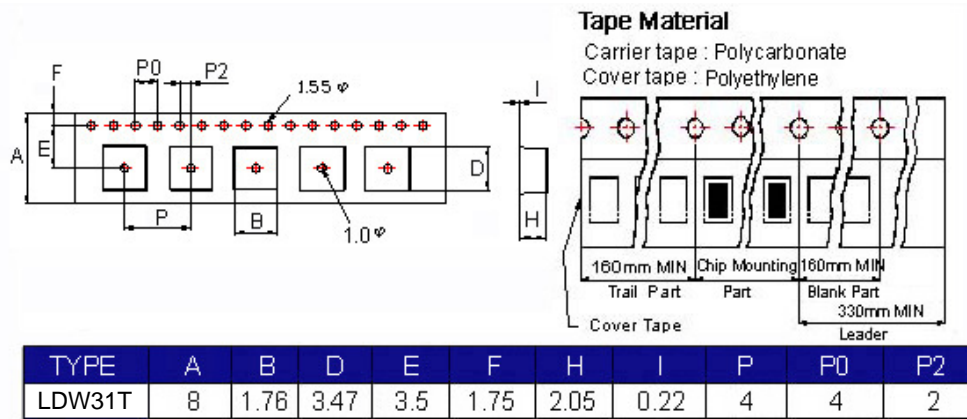
| TYPE | PCS/REEL |
|--------|----------|
| LDW31T | 2000 |

9.3 Reel Dimensions

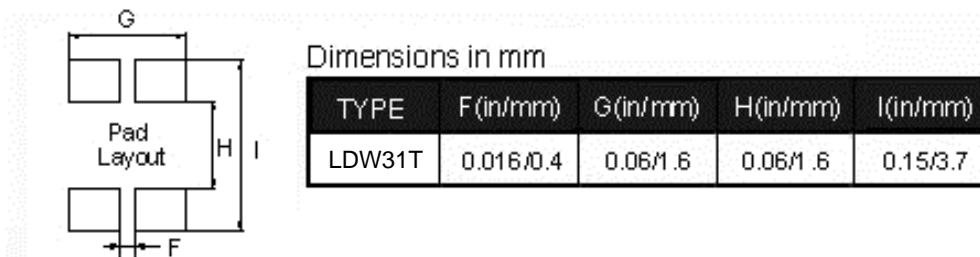


9 Packaging:

9.4 Tape Dimensions in mm



10 Recommended Land Pattern:



11 Note:

1. Please make sure that your product has been evaluated and confirmed against your specifications when our product is mounted to your product.
2. Do not knock nor drop.
3. All the items and parameters in this product specification have been prescribed on the premise that our product is used for the purpose, under the condition and in the environment agreed upon between you and us. You are requested not to use our product deviating from such agreement.
4. Please keep the distance between transformer/coil and other components (refer to the standard IEC 950)
5. The moisture sensitivity level (MSL) of products is classified as level 1.

12 Graph: LDW31T-900M

