



TECHNICAL DATA SHEET

PE9508

Precision SMA Female to SMA Female Bulkhead Adapter
Configuration

Connector 1	SMA Female
Impedance 1	50 Ohms
Connector Specification 1	MIL-STD-348
Connector 2	SMA Female
Impedance 2	50 Ohms
Connector Specification 2	MIL-STD-348
Adapter Design	Precision
Body Style	Straight
Mount Method	Bulkhead

Electrical Specifications

Frequency Range, GHz	DC to 26.5
Maximum VSWR	1.3:1

Frequency 1

Frequency, GHz	DC to 18
VSWR	1.15:1

Frequency 2

Frequency, GHz	18 to 26.5
VSWR	1.3:1

Mechanical Specifications
Size

Length, in [mm]	0.88 [22.35]
Width/Dia., in [mm]	0.478 [12.14]

Connector 1

Type	SMA Female
------	------------

Connector 2

Type	SMA Female
------	------------

Compliance Certifications (visit www.Pasternack.com for current document)

RoHS Compliant	Yes
----------------	-----

Click the following link (or enter part number in "SEARCH" on website) to obtain additional part information including price, inventory and certifications: [Precision SMA Female to SMA Female Bulkhead Adapter PE9508](#)

The information contained in this document is accurate to the best of our knowledge and representative of the part described herein. It may be necessary to make modifications to the part and/or the documentation of the part, in order to implement improvements. Pasternack reserves the right to make such changes as required. Unless otherwise stated, all specifications are nominal.



TECHNICAL DATA SHEET

PE9508

Plotted and Other Data

Notes:

Values at 25 °C, sea level

URL: <http://www.pasternack.com/sma-female-sma-female-straight-adapter-pe9508-p.aspx>

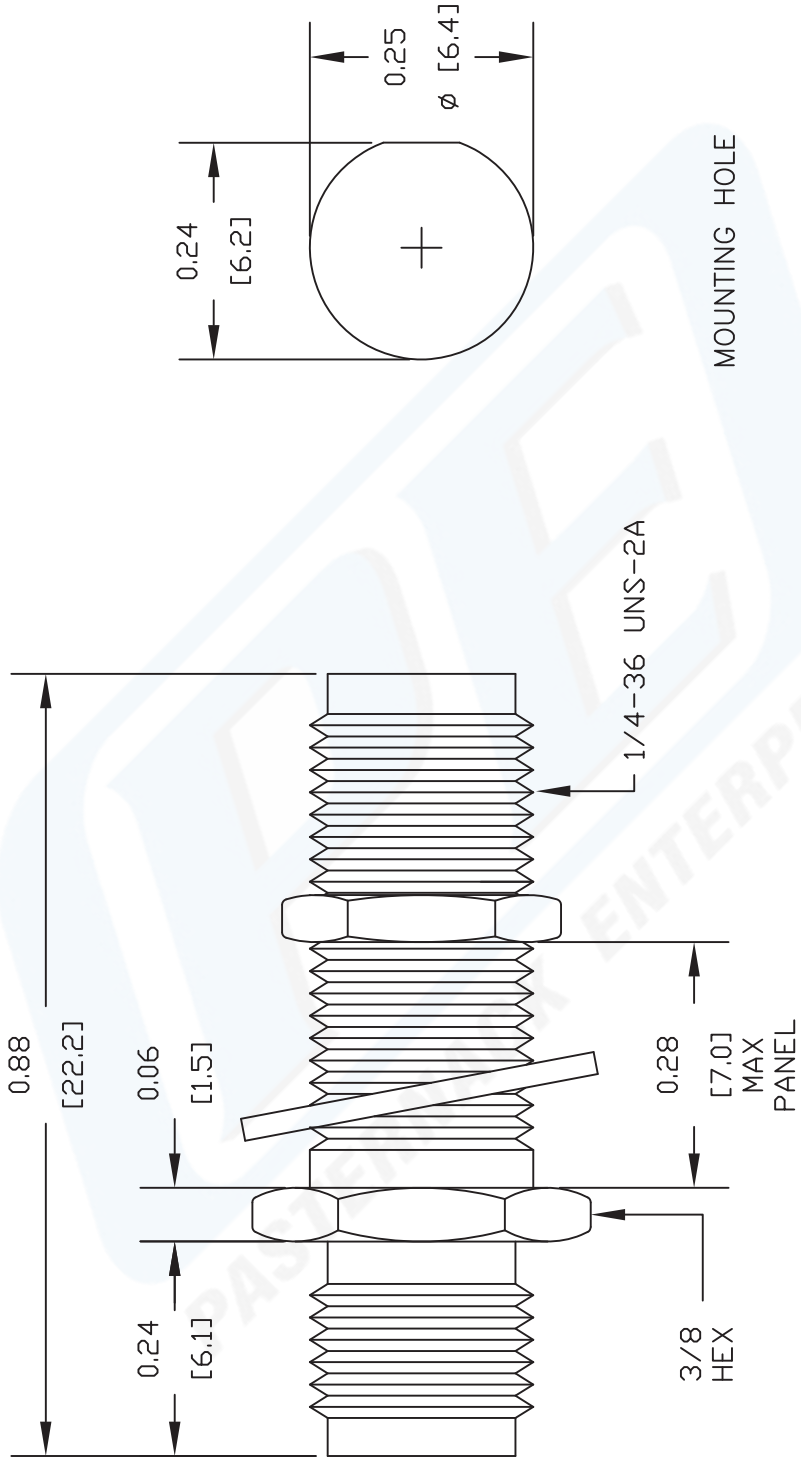
Precision SMA Female to SMA Female Bulkhead Adapter from Pasternack Enterprises has same day shipment for domestic and International orders. Our RF, microwave and fiber optic products maintain a 99% availability and are part of the broadest selection in the industry.

The information contained in this document is accurate to the best of our knowledge and representative of the part described herein. It may be necessary to make modifications to the part and/or the documentation of the part, in order to implement improvements. Pasternack reserves the right to make such changes as required. Unless otherwise stated, all specifications are nominal.



PE9508 CAD Drawing

Precision SMA Female to SMA Female Bulkhead Adapter



DWG TITLE

PE9508

NOTES:
 1. UNLESS OTHERWISE SPECIFIED ALL DIMENSIONS ARE NOMINAL.
 2. ALL SPECIFICATIONS ARE SUBJECT TO CHANGE WITHOUT NOTICE AT ANY TIME.
 3. DIMENSIONS ARE IN INCHES [mm].

REV. -

FSCM NO. 53919

CAD FILE 010903

SCALE N/A

SIZE A

127

PE PASTERNAK®
 Pasternack Enterprises, Inc.
 P.O. Box 16759 | Irvine | CA | 92623
Phone: (949) 261-1920 | **Fax:** (949) 261-7451
Website: www.pasternack.com | **E-Mail:** sales@pasternack.com