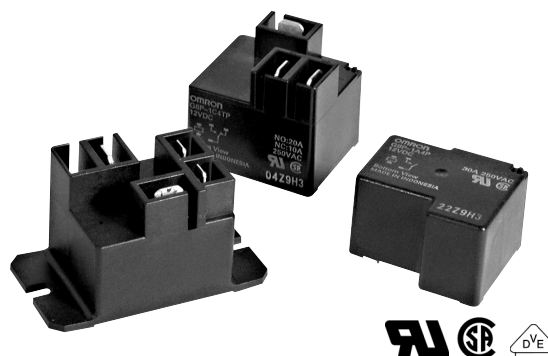


Power PCB Relay G8PT

- Up to 30 A switching capacity in compact package.
- **NEW** G8P-1A4P-BG with 2.0 mm contact gap and high dielectric strength of 4,000 VAC
- Available with quick-connect contact terminals for easy load connecting with either QC or PCB coil terminals.
- UL Class F coil insulation standard
- Minimum 6 kV Impulse Surge Withstand.
- Ideal for home and industrial appliances, HVAC and many other applications.
- UL recognized / CSA certified. VDE approved.
- RoHS Compliant



Ordering Information

To Order: Select the part number and add the desired coil voltage rating, (e.g., G8P-1A4P-DC12).

Mounting type	Contact form	Construction	Model
PCB	SPST-NO	Open frame	G8P-1AP
		Sealed with ventable nib*	G8P-1A4P-BG G8P-1A4P
	SPDT	Open frame	G8P-1CP
		Sealed with ventable nib*	G8P-1C4P
PCB & Quick Connect load terminals	SPST-NO	Open frame	G8P-1ATP
		Sealed with ventable nib*	G8P-1A4TP
	SPDT	Open frame	G8P-1CTP
		Sealed with ventable nib*	G8P-1C4TP
Flange mount Quick Connect terminals	SPST-NO	Vented	G8P-1A2T-F
	SPDT	Vented	G8P-1C2T-F

- Note:**
1. Load terminals are .250" Quick Connect. Coil terminals on Flange Mount versions are .187" Quick Connect.
 2. "-BG" version available with 12 VDC and 24 VDC coils, only.
 3. Packaged with 50 pcs per tray.

* Sealed and vented optional.

Specifications

Contact Data

Type	SPST-NO	SPDT
Rated load	30 A 250 VAC (-BG: 20 A 250 VAC), 20 A 28 VDC (-BG: - - -)	20/10 A* at 250 VAC, 20/10 A* at 28 VDC
Contact material	Ag-Alloy (Cd free)	
Rated Carry current	30 A max. (-BG: 20 A)	20/10 A*
Max. operating voltage	250 VAC, 28 VDC (-BG: 250 VAC)	
Max. operating current	AC 30 A, DC 20 A (-BG: AC 20 A)	AC 20/10 A, DC 20/10 A*
Max. switching capacity	7,500 VA, 560 W (-BG: 5,000 VA)	5,000/2,500 VA, 560/280 W*
Min. permissible load	500 mA @ 5 VDC (See note 1), 100 mA @ 5 VDC (See note 2)	

* NO contact/NC contact

- Note:**
1. Applicable for G8P-1A4TP, G8P-1CP, G8P-1C4P, G8P-1C4TP and G8P-1C2T-F versions.
 2. Applicable for G8P-1AP, G8P-1A4P(-BG), G8P-1ATP and G8P-1CTP versions.

Coil Data

Rated voltage (VDC)	Rated current (mA)	Coil resistance (Ω)	Pick-up voltage	Dropout voltage	Maximum voltage	Power consumption (mW)
			% of rated voltage			
5	185	27	75% max.	10% min.	120% max.	Approx. 900
9	93	97				
12	77	155				
24	36	660				
48	19	2,480				
110	9	12,400				

- Note:**
- The rated current and coil resistance are measured at a coil temperature of 23°C with tolerances of $\pm 10\%$.
 - The operating characteristics are measured at a coil temperature of 23°C.
 - The "Maximum Voltage" is the maximum voltage that can be applied to the relay coil.

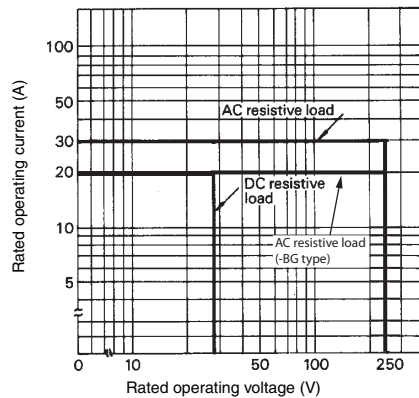
Characteristics

Contact resistance	100 m Ω max. (measured with 5 VDC, 1 A, voltage drop method)	
Operate time	15 ms. max. (-BG: 20 ms max.)	
Release time	10 ms. max.	
Insulation resistance (See note 2)	100 M Ω min. (at 500 VDC)	
Dielectric strength	2,500 VAC, 50/60 Hz for 1 minute (between coil and contacts), (-BG: 4,000 VAC) 1,500 VAC, 50/60 Hz for 1 minute (between contacts of the same polarity)	
Impulse surge withstand	6,000 V between coil and contacts (1.2/50 μ s)	
Vibration resistance	Destruction	10 to 55 Hz, 1.65 mm double amplitude for 2 hours (-BG: 10 to 55 Hz, 1.5 mm double amplitude for 2 hours)
	Malfunction	10 to 55 Hz, 1.65 mm double amplitude for 5 minutes
Shock resistance	Destruction	1,000 m/s ² (approx. 100 G)
	Malfunction	100 m/s ² (approx. 10 G)
Ambient operating temperature	-55° to 105°C, cold coil condition (with no icing) -55° to 85°C, hot coil condition (hot start) (with no icing)	
Ambient operating humidity	5% to 85% RH	
Service life	Mechanical	10 million operations minimum at 18,000 ops/hour. (-BG: 5 million operations min.)
	Electrical	100,000 operations approx. at 360 ops/hr. (-BG: 40,000 operations min.)
Weight	Approx. 24 g to 31 g	

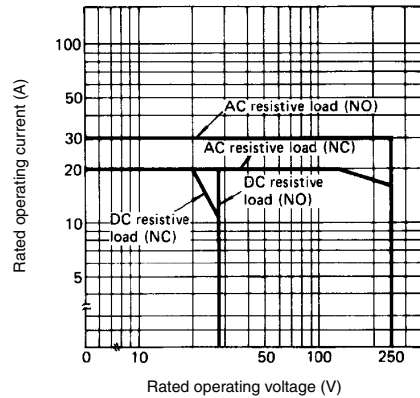
- Note:**
- Data shown are of initial value. Operate and release times excluding bounce.
 - Measurement conditions: Measured at the same points as the dielectric strength using a 500 VDC ohmmeter.
 - Please vent sealed relays after processing in order to achieve rated electrical service life, by removing the vent nib.

Characteristic Data

Maximum switching capacity SPST-NO

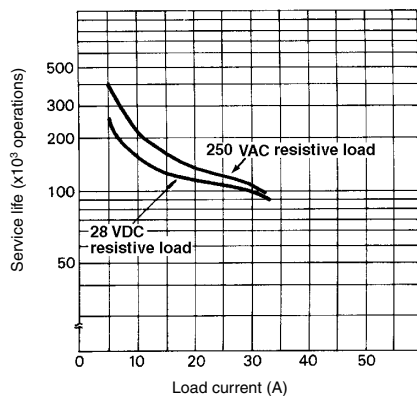


SPDT



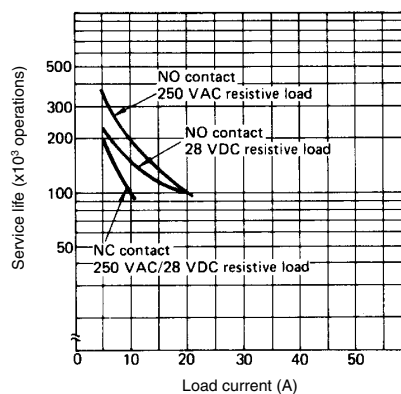
Characteristic Data

Electrical service life SPST-NO



*Except (-BG) type

SPDT



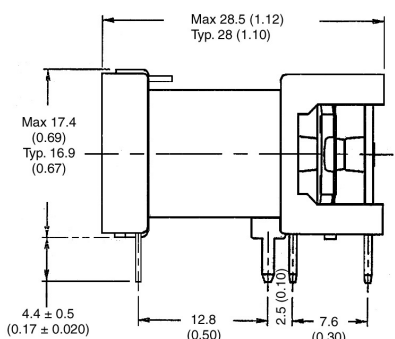
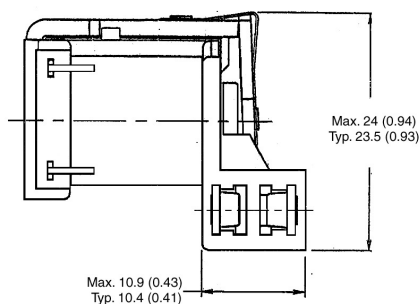
Dimensions

Unit: mm (inch)

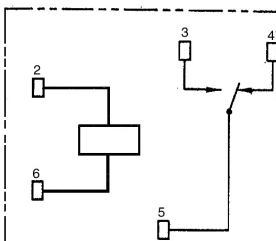
Relays

G8P-1CP / 1AP

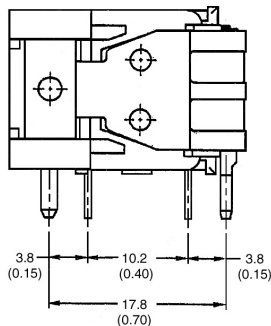
Open frame, PCB terminals



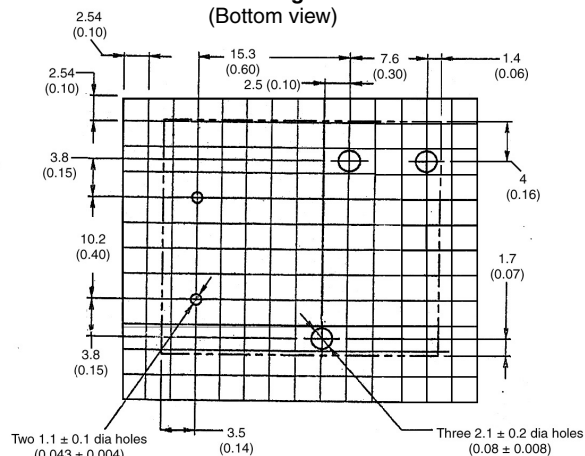
Terminal arrangement/ Internal connections (Bottom view)



Note: Terminal #4 is omitted on G8P-1AP.



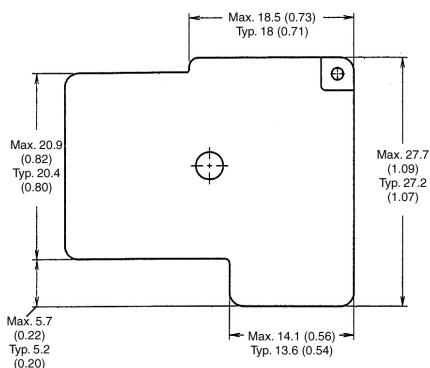
Mounting holes (Bottom view)



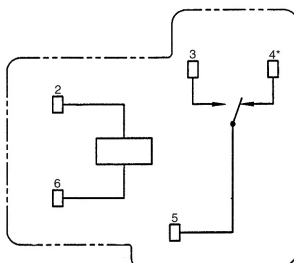
Unit: mm (inch)

G8P-1C4P / 1A4P / 1C2P / 1A2P

Sealed/Ventable, PCB terminals

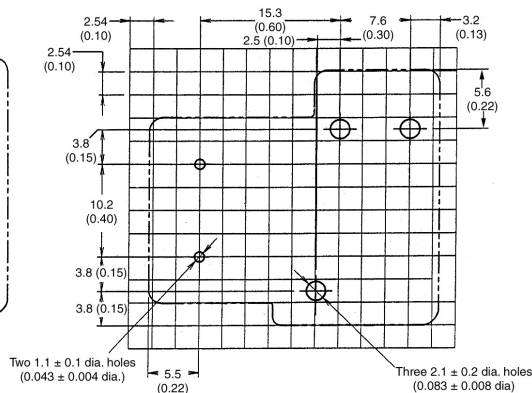


**Terminal arrangement/
Internal connections
(Bottom view)**



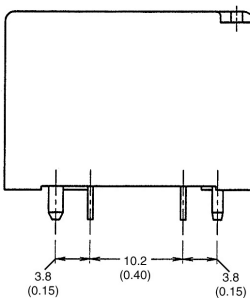
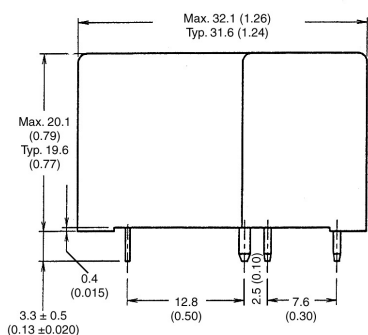
Note: Terminal #4 is omitted on G8P-1A4P/1A2P.

**Mounting holes
(Bottom view)**

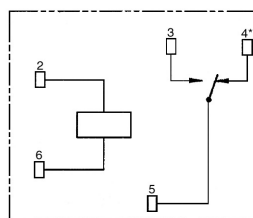


Pin Dimensions

large = 1.6 x 1.2; 1.2 x 0.8 x 3.3L
small = 0.6 x 0.5 x 3.3L

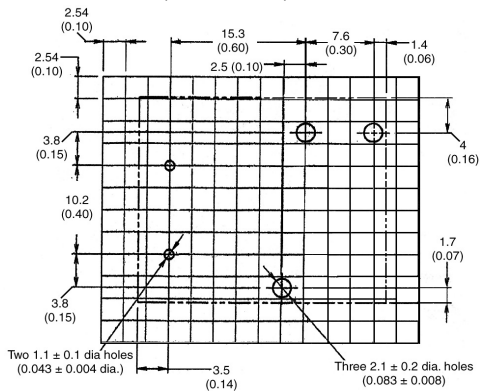


**Terminal arrangement/
Internal connections
(Bottom view)**



Note: Terminal #4 is omitted on G8P-1ATP.

**Mounting holes
(Bottom view)**

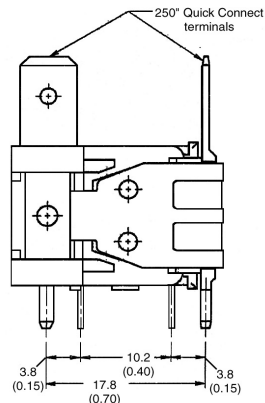
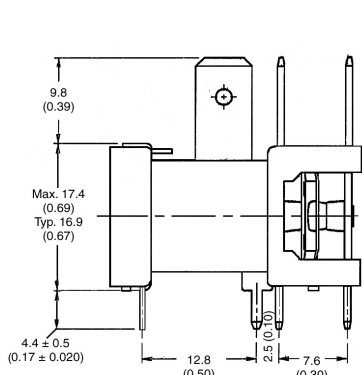
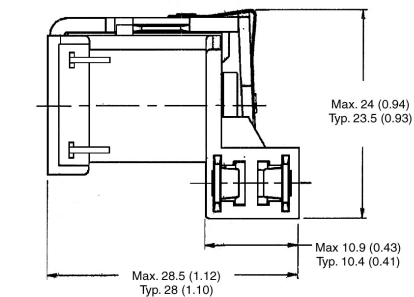


Pin Dimensions

large = 1.6 x 1.2; 1.2 x 0.8 x 3.3L
small = 0.6 x 0.5 x 3.3L

G8P-1CTP / 1ATP

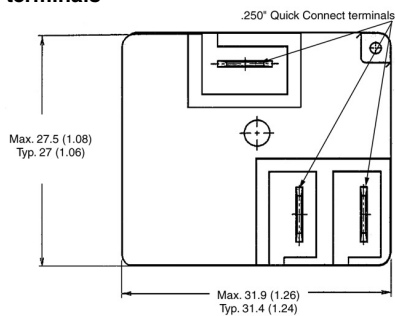
Open frame, PCB with Quick Connect terminals



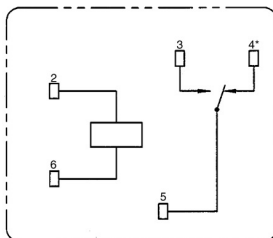
Unit: mm (inch)

G8P-1C4TP / 1A4TP / 1C2TP / 1A2TP

Sealed/Ventable, PCB with Quick Connect terminals

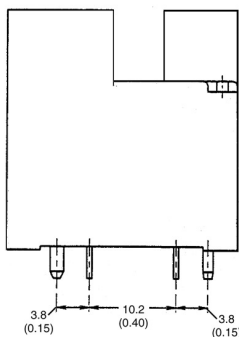
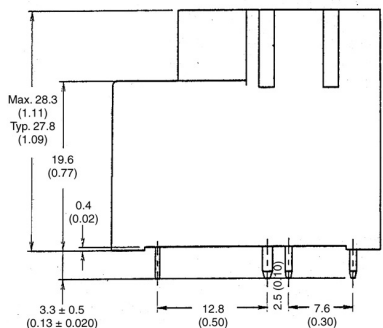
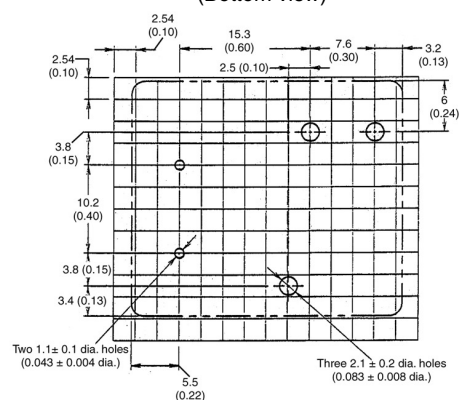


**Terminal arrangement/
Internal connections
(Bottom view)**



Note: Terminal #4 is omitted on G8P-1A4TP/1A2TP.

**Mounting holes
(Bottom view)**

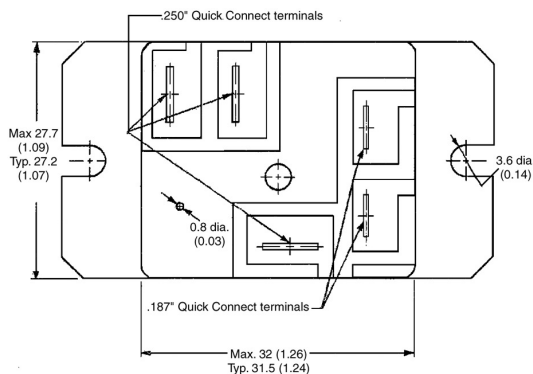


Pin Dimensions

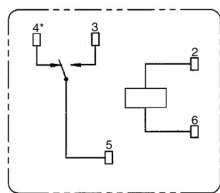
large = 1.6 x 1.2; 1.2 x 0.8 x 3.3L
small = 0.6 x 0.5 x 3.3L

G8P-1C2T-F / 1A2T-F

Flange mount

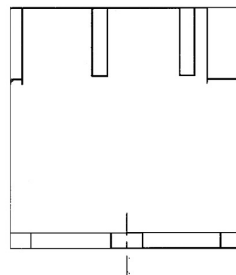
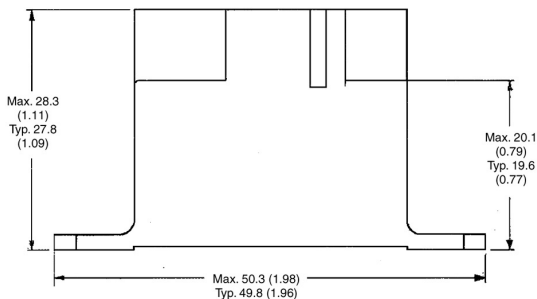
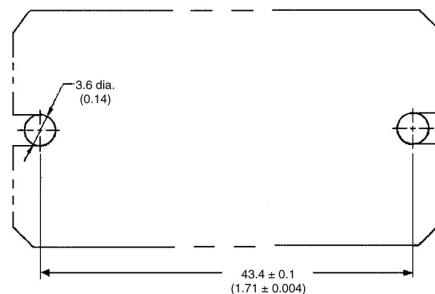


**Terminal arrangement/
Internal connections
(Bottom view)**



Note: Terminal #4 is omitted on G8P-1A2T-F.

**Mounting holes
(Bottom view)**



Note: Allow air circulation within the sealed type G8PT by removing the ventilation nib from the cover after soldering and cleaning is complete.

■ Approvals

UL Recognized (File No. E41643), CSA Certified (File No. LR31928)

Model	Contact form	Coil ratings	Contact ratings
G8P-1AP G8P-1A4P G8P-1ATP G8P-1A4TP G8P-1A2T-F	SPST-NO	5 to 110 VDC	30 A, 240 VAC (G.P./Res.), 40°C, 50,000 cycles 20 A, 28 VDC (Res.), 40°C, 6,000 cycles 20 A, 240 VAC (Res.), 70°C, 100,000 cycles 23 A, 240 VAC (Res.), 85°C, 100,000 cycles 1 HP, 125-250 VAC, 40°C, 1,000 cycles 2 HP, 250 VAC, 40°C, 1,000 cycles A300 Pilot Duty, 40°C, 6,000 cycles 20 FLA, 96 LRA, 125 VAC, 40°C, 100,000 cycles 5 A, 250 VAC (Tungsten), 40°C, 6,000 cycles 20 A, 120-277 VAC (Ballast), 40°C, 6,000 cycles TV-5, 40°C, 25,000 cycles
G8P-1A4P-BG			30 A, 277 VAC (Res.), 85°C, 30,000 cycles
G8P-1CP G8P-1C4P G8P-1CTP G8P-1C4TP G8P-1C2T-F	SPDT	5 to 110 VDC	NO/NC 30 A/20 A, 277 VAC (Res.), 40°C, 100,000 cycles (N.O.) and 30,000 cycles (N.C.) 20 A/15 A, 250 VAC (Res.), 105°C, 100,000 cycles (N.O.) and 30,000 cycles (N.C.) 20 A/10 A, 28 VDC (Res.), 40°C, 6,000 cycles 30 A/30 A, 277 VAC(Res.), 40°C, 10,000 cycles 1/2 HP/1/2 HP, 125 VAC, 40°C, 100,000 cycles 2 HP/ 1/2 HP, 250 VAC, 40°C, 1,000 cycles 1 HP/ 1/4 HP, 125 VAC, 40°C, 1,000 cycles B150 Pilot Duty, 40°C, 100,000 cycles 5 A/ 3 A, 250 VAC (Tungsten), 40°C, 6,000 cycles 6 A/ 3 A, 277 VAC (Ballast), 40°C, 6,000 cycles TV-5 (N.O.), 40°C, 25,000 cycles

VDE recognized type (Licence No. 40004714)

- Note:**
1. The rated values approved by each of the safety standards (e.g., UL, CSA) may be different from the performance characteristics individually defined in this catalog.
 2. For information on additional ratings not included in this catalog, contact your local Omron Representative.
 3. In the interest of product improvement, specifications are subject to change.
 4. Please contact Omron for details regarding VDE approvals.
 5. Meets requirements of pollution degree 2 with Material II & III.

Precautions

Recommended soldering condition

Pre-heat at 120°C maximum within 120 seconds.
Complete solering at 265°C maximum within 6 seconds.

Re: the Electrical Appliance and Material Safety Law (Japan)

The G8P series is not compliant with the Electrical Appliance and Material Safety Law of Japan. Pay careful attention to select a suitable Relay for the application.

A large grid of 20 columns and 30 rows of small squares, intended for taking notes or drawing diagrams. The grid is composed of thin, light gray lines forming a uniform pattern of small squares across the page.

All sales are subject to Omron Electronic Components LLC standard terms and conditions of sale, which can be found at http://www.components.omron.com/components/web/webfiles.nsf/sales_terms.html

ALL DIMENSIONS SHOWN ARE IN MILLIMETERS.

To convert millimeters into inches, multiply by 0.03937. To convert grams into ounces, multiply by 0.03527.

OMRON[®]

**OMRON ELECTRONIC
COMPONENTS LLC**

55 E. Commerce Drive, Suite B
Schaumburg, IL 60173

847-882-2288

OMRON ON-LINE

Global - <http://www.omron.com>

USA - <http://www.components.omron.com>

Cat. No. X301-E-1c

08//12

Specifications subject to change without notice

Printed in USA