

**PLEASE CHECK WWW.MOLEX.COM FOR LATEST PART INFORMATION**

**Part Number:** [0673514000](#)  
**Status:** **Active**  
**Description:** MicroCross™ DVI-D Digital Visual Interface, PCB Receptacle, Glass-filled Polyester (PBT), Through Hole, Right Angle, 0.76µm (30µ") Gold (Au) Plating, 24 Circuits, Lead Free

**Documents:**

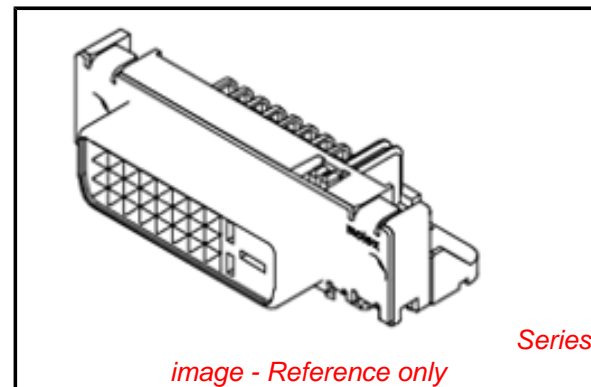
[3D Model](#) [RoHS Certificate of Compliance \(PDF\)](#)  
[Drawing \(PDF\)](#)

**General**

Product Family	I/O Connectors
Series	<a href="#">67351</a>
Application	Wire-to-Board
Comments	DDWG (Digital Display Working Group) Standard
Component Type	Receptacle
Product Name	MicroCross™DVI
Type	N/A

**Physical**

Boot Color	N/A
Circuits (Loaded)	24
Circuits (maximum)	24
Color - Resin	Ivory, Natural
Durability (mating cycles max)	100
Gender	Receptacle
Keying to Mating Part	Yes
Lock to Mating Part	Yes
Material - Metal	Copper Alloy
Material - Plating Mating	Gold
Material - Plating Termination	Tin
Material - Resin	Polyester
Number of Rows	3
Orientation	Right Angle
PC Tail Length (in)	0.092 In
PC Tail Length (mm)	2.34 mm
PCB Locator	Yes
PCB Retention	Yes
Packaging Type	Tray
Panel Mount	Yes
Pitch - Mating Interface (in)	0.075 In
Pitch - Mating Interface (mm)	1.91 mm
Pitch - Term. Interface (in)	0.075 In
Pitch - Term. Interface (mm)	1.91 mm
Plating min: Mating (µin)	30
Plating min: Mating (µm)	0.76
Plating min: Termination (µin)	100
Plating min: Termination (µm)	2.50
Polarized to Mating Part	Yes
Polarized to PCB	Yes
Ports	1
Surface Mount Compatible (SMC)	No
Temperature Range - Operating	-20°C to +85°C
Termination Interface: Style	Through Hole
Waterproof / Dustproof	No
Wire Size AWG	N/A



**EU RoHS**

**ELV and RoHS  
Compliant  
REACH SVHC  
Not Reviewed  
Halogen-Free  
Status**

**China RoHS**



**Need more information on product environmental compliance?**

Email [productcompliance@molex.com](mailto:productcompliance@molex.com)  
 For a multiple part number RoHS Certificate of Compliance, [click here](#)

Please visit the [Contact Us](#) section for any non-product compliance questions.

**Search Parts in this Series**

[67351Series](#)

**Mates With**

[74323](#) MicroCross™ DVI Plug Components.  
[88741](#) MicroCross™ DVI Cable Assemblies

**Use With**

[71781](#) Panel Mount Hex Screw Kit

**Electrical**

Current - Maximum per Contact	N/A
Grounding to Panel	Yes
Shield Type	Full Shield
Shielded	Yes

**Material Info****Reference - Drawing Numbers**

Packaging Specification	PK-74320-010
Sales Drawing	SD-67351-003

This document was generated on 06/07/2010

**PLEASE CHECK [WWW.MOLEX.COM](http://WWW.MOLEX.COM) FOR LATEST PART INFORMATION**

DO NOT SCALE DRAWING

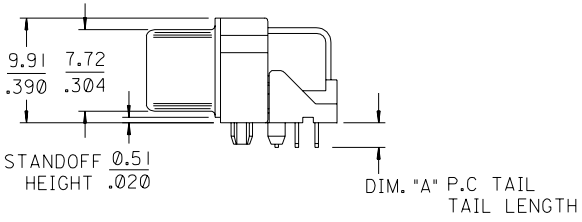
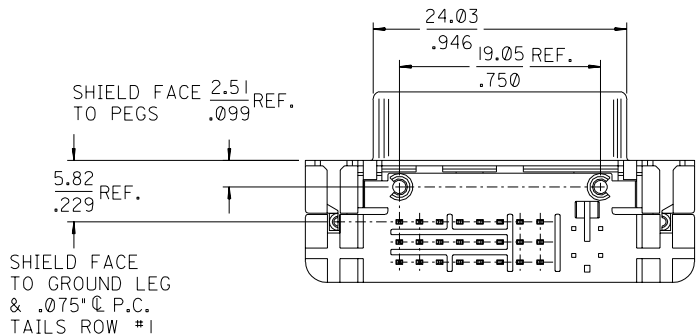
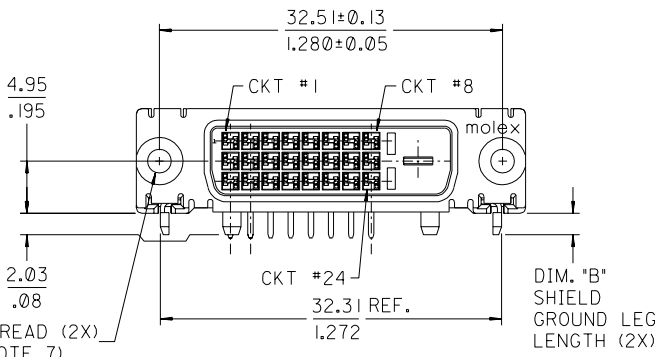
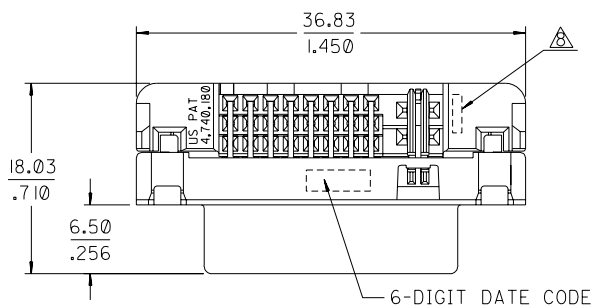
CADFILE NO: 56735103.S01

SIMILAR ITEM

EDP NO.

ENG. NO SEE CHART

8      7      6      5      4      3      2      1



- NOTES:
- MATERIALS:  
SHIELD -- DEEP DRAW STEEL.  
HOUSING -- GLASS FILLED POLYMER, NATURAL (IVORY WHITE), UL 94v-0.  
TAIL ALIGNER -- GLASS FILLED POLYMER, NATURAL (IVORY WHITE), UL 94v-0.  
CONTACTS -- COPPER ALLOY.  
MICROCROSS GROUND -- COPPER ALLOY.
  - PLATING: SEE SHEET 2
  - PRODUCT CONFORMS TO MOLEX PRODUCT SPECIFICATION NUMBER PS-74320-001. REFER TO THIS SPECIFICATION FOR SPACING ON A P.C.B. OF TWO OR MORE CONNECTORS WHEN USING A CABLE OR AN ADAPTER ASSEMBLY.
  - SEE SHEET 2 FOR RECOMMENDED PANEL CUT-OUT AND P.C.B. LAYOUT.
  - PARTS WILL BE PACKAGED IN TRAYS PER PK-74320-010.
  - PRODUCT CONFORMS TO DDWG DVI SPECIFICATION. REFER TO THIS SPECIFICATION FOR CONNECTOR MATING DIMENSIONS.
  - RECOMMENDED MOUNTING HARDWARE IS MOLEX P/N : 88780-6066 OR 82007-0300. OR 71781-0001. REFER TO PRODUCT SPECIFICATION NUMBER PS-74320-001 FOR THE APPLICATION TORQUE REQUIREMENT FOR ASSEMBLING MOUNTING HARDWARE.
- △ CAVITY NO. AND MANUFACTURING PLANT CODE.

PART NUMBER	PLATING OPTION	DIM "A"	DIM "B"
67351-4000	1	2.34/.092	2.03±0.51
67351-4001	1	1.27/.050	.080±.020
67351-4002	1	2.79/.110	2.79/.110
67351-4003	1	3.12/.123	2.79/.110
67351-4004	2	2.34/.092	2.03±0.51
67351-4005	2	1.27/.050	.080±.020
67351-4006	2	2.79/.110	2.79/.110
67351-4007	2	3.12/.123	2.79/.110

REV	DESCRIPTION
F	

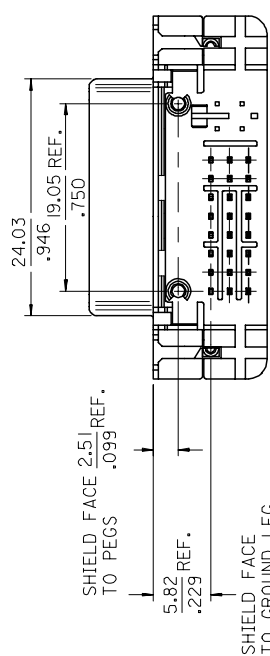
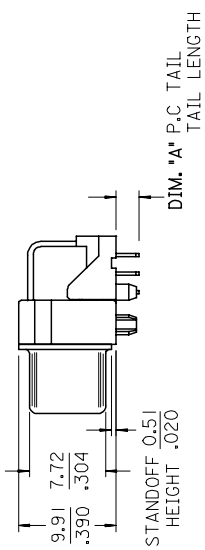
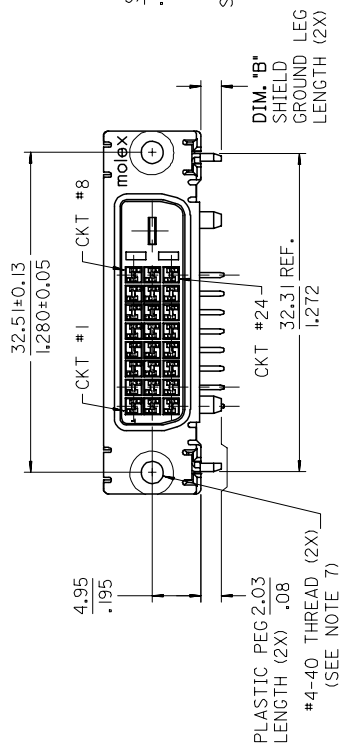
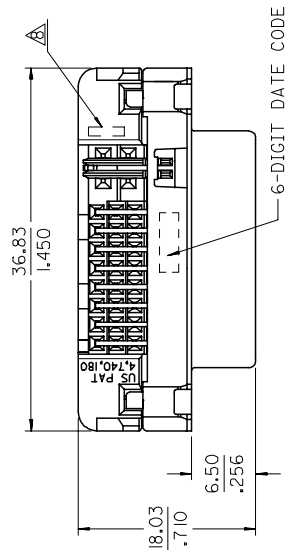
QUALITY SYMBOLS	GENERAL TOLERANCES: (UNLESS SPECIFIED)
MAJOR = 0	mm      INCH
CRITICAL = 0	4 PLACES ± .      ± .
	3 PLACES ± .      ± .010
	2 PLACES ± 0.25      ± .010
	1 PLACE ± 0.25      ± .010
	ANGULAR: ± 3°
	DRAFT WHERE APPLICABLE MUST REMAIN WITHIN DIMENSIONS

SCALE 2:1	DESIGN UNITS <input checked="" type="checkbox"/> mm <input checked="" type="checkbox"/> INCH	THIRD ANGLE PROJECTION	DIMENSIONS: <input checked="" type="checkbox"/> mm <input checked="" type="checkbox"/> INCH <input type="checkbox"/> mm ONLY	SHT	REV
DRAWN BY & DATE GRACE 00/09/05		TITLE: DVI - DIGITAL RIGHT ANGLE RECEPTACLE CONNECTOR			
CHECKED BY & DATE SASHIN 00/09/05		MOLEX INCORPORATED			
APPROVED BY & DATE MLIN 00/09/05		CAD FILENAME SD67351003.S01	MATERIAL NO. SEE CHART	DRAWING NO. SD-67351-003	SHEET NO. 1 OF 2
THIS DRAWING CONTAINS INFORMATION THAT IS PROPRIETARY TO MOLEX INCORPORATED AND SHOULD NOT BE USED WITHOUT WRITTEN PERMISSION.					SIZE A3

NOTES:

- MATERIALS:  
 SHIELD --- DEEP DRAW STEEL.  
 HOUSING --- GLASS FILLED POLYMER, NATURAL (IVORY WHITE), UL 94V-0.  
 TAIL ALIGNER --- GLASS FILLED POLYMER, NATURAL (IVORY WHITE), UL 94V-0.  
 CONTACTS --- COPPER ALLOY.  
 MICROCROSS GROUND --- COPPER ALLOY.
- PLATING: SEE SHEET 2
- PRODUCT CONFORMS TO MOLEX PRODUCT SPECIFICATION NUMBER PS-74320-001. REFER TO THIS SPECIFICATION FOR SPACING ON A P.C.B. OF TWO OR MORE CONNECTORS WHEN USING A CABLE OR AN ADAPTER ASSEMBLY.
- SEE SHEET 2 FOR RECOMMENDED PANEL CUT-OUT AND P.C.B. LAYOUT.
- PARTS WILL BE PACKAGED IN TRAYS PER PK-74320-010.
- PRODUCT CONFORMS TO DWG DVI SPECIFICATION. REFER TO THIS SPECIFICATION FOR CONNECTOR MATING DIMENSIONS.
- RECOMMENDED MOUNTING HARDWARE IS MOLEX P/N : 88780-6066 OR 82007-0300. OR 71781-0001. REFER TO PRODUCT SPECIFICATION NUMBER PS-74320-001 FOR THE APPLICATION TORQUE REQUIREMENT FOR ASSEMBLING MOUNTING HARDWARE.

⚠️ CAVITY NO. AND MANUFACTURING PLANT CODE.



REV	DESCRIPTION
G	REVISE EC NO: SH2007-0732 DRW: XJS086 2007/06/04 CHKD: J1AN 2007/06/05 APPR: JNCHEN 2007/06/22

QUALITY SYMBOLS	GENERAL TOLERANCES (UNLESS SPECIFIED)	DIMENSION STYLE	SCALE	DESIGN UNITS	THIRD ANGLE PROJECTION
▷=0	4 PLACES ± --- INCH ± ---	MM/IN	2:1	INCH	THIRD ANGLE PROJECTION
◁=0	3 PLACES ± --- INCH ± .010	DRAWN BY: GRACE DATE: '00/09/05	TITLE: DVI-DIGITAL RIGHT ANGLE RECEPTACLE CONNECTOR		
	2 PLACES ± 0.25 INCH ± .010	CHECKED BY: SASHIN DATE: '00/09/05			
	1 PLACE ± 0.25 INCH ± .010	APPROVED BY: ML IN DATE: '00/09/05			
	ANGULAR ± 3 °	MATERIAL NO. SEE CHART			
	DRAFT WHERE APPLICABLE MUST REMAIN WITHIN DIMENSIONS	DOCUMENT NO. MOLEX INCORPORATED			

PART NUMBER	PLATING OPTION	DIM 'A'	DIM 'B'
67351-4000	1	2.347,092	2.03±0.51
67351-4001	1	1.277,050	.080±.020
67351-4002	1	2.797,110	2.797,110
67351-4003	1	3.127,123	2.797,110
67351-4005	2	1.277,050	.080±.020
67351-4016	2	2.797,110	2.797,110
67351-4007	2	3.127,123	2.797,110

