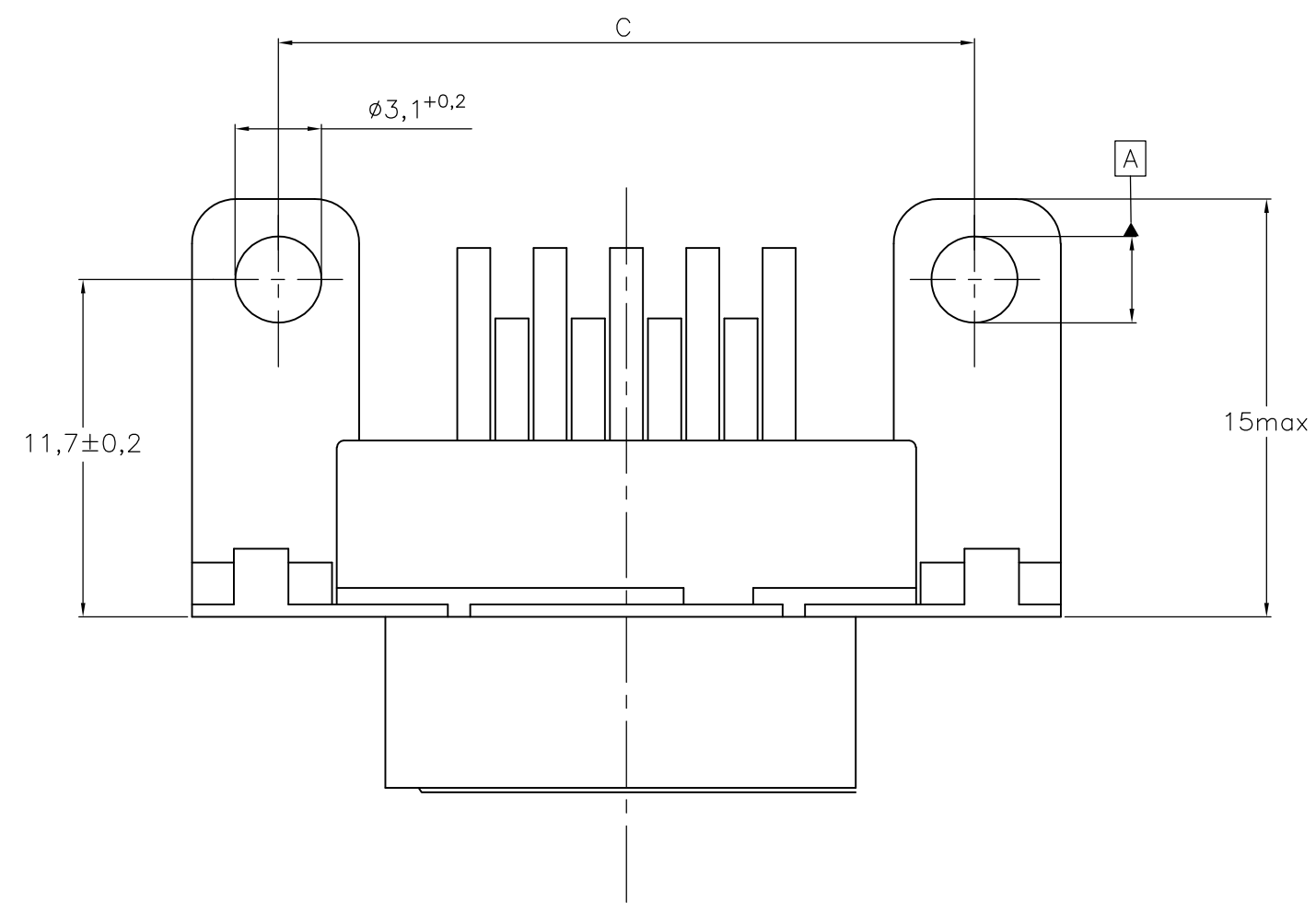
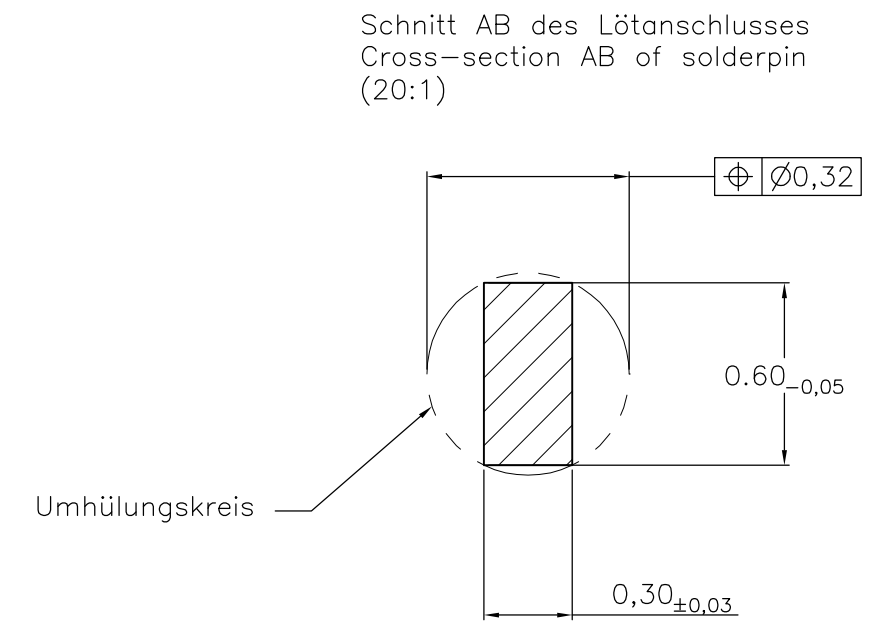
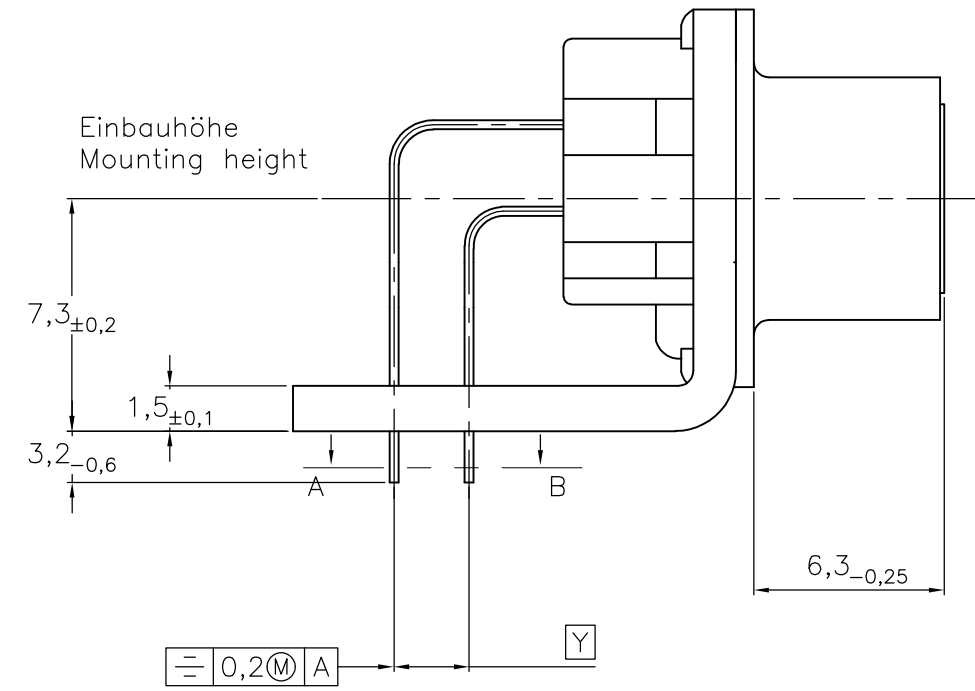
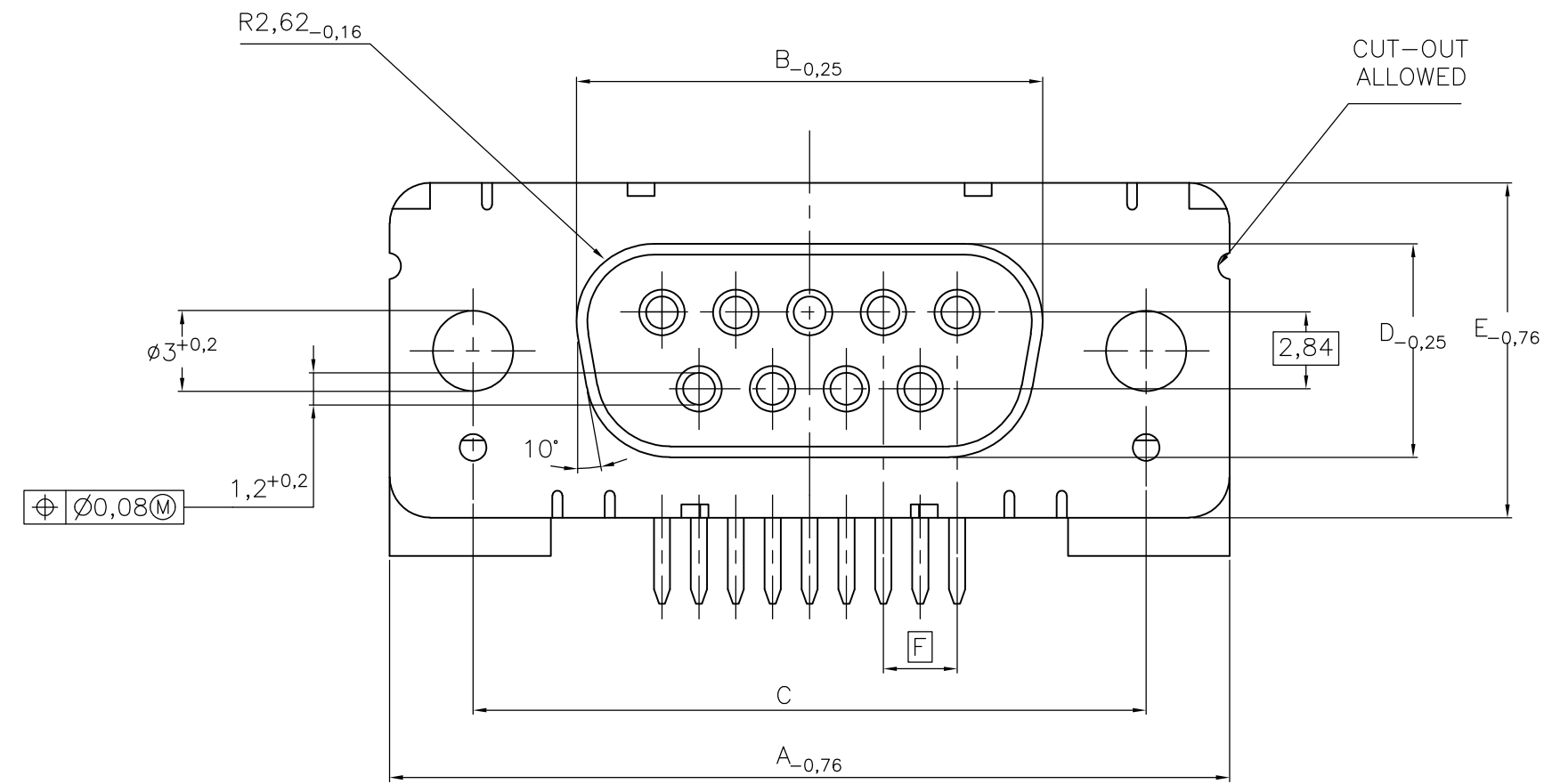


LOC		DIST		REVISIONS			
P	LTR	DESCRIPTION		DATE	DWN	APVD	
GP	00	D	REVISED PER ECO-12-018934	02NOV2012	CJV	SLB	

Standardausführung: V23529-A₂1x1-Bxxx-+
 Standardversion



Sachnr./Ordernr	Y	Ordercode Sachnr	Contacts Polzahl	Mass/Dimension					
				A	B	C	D	E	F
Axx1x-Bxxx-+	2,84	..-Bx09-+	09	31,19	16,46	25,0 ^{+0,12} / _{-0,13}	8,02	12,93	2,74
Axx2x-Bxxx-+	2,54	..-Bx15-+	15	39,52	24,79	33,3 ^{+0,15} / _{-0,1}			2,74
		..-Bx25-+	25	53,42	38,5	47,04 ^{+0,13} / _{-0,13}			2,76
		..-Bx37-+	37	69,7	54,96	63,5 ^{+0,13} / _{-0,13}			2,76

Anforderungsstufe/Performance level 1)

OLD PN: V23529-A****-B****-7427

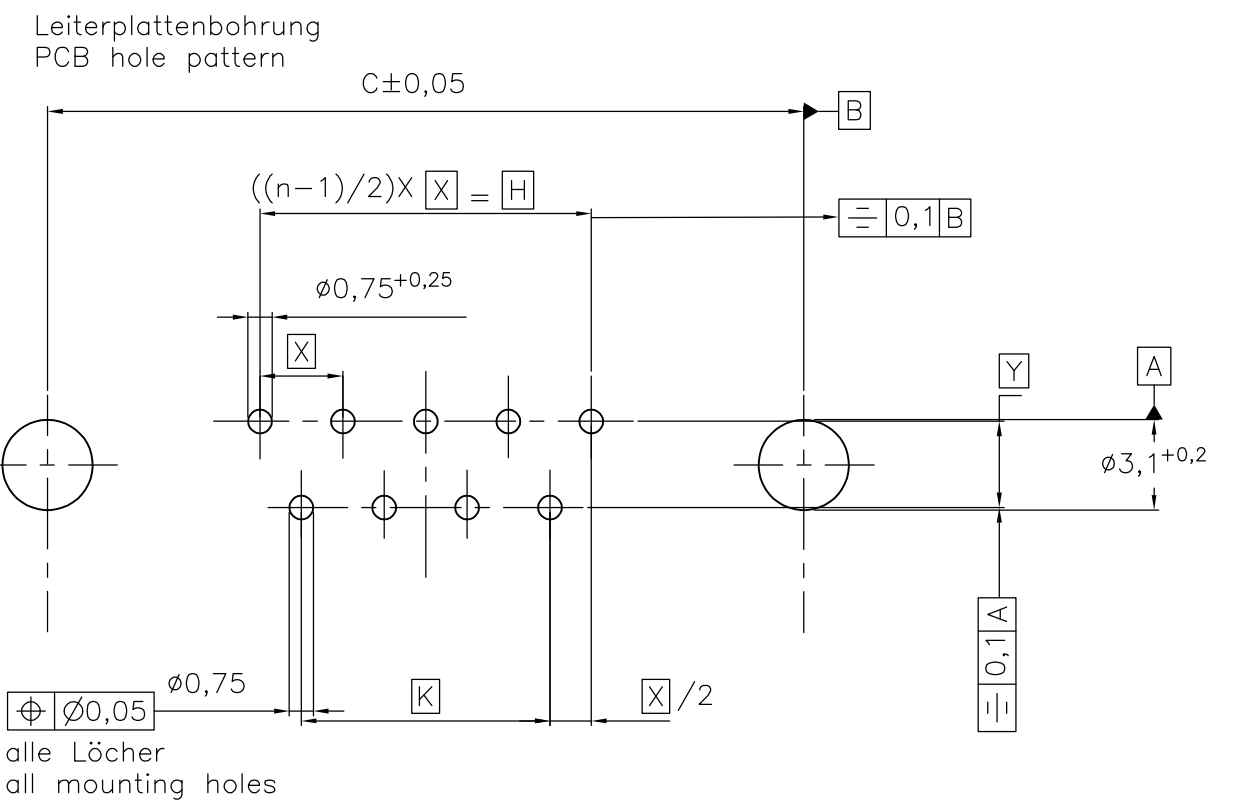
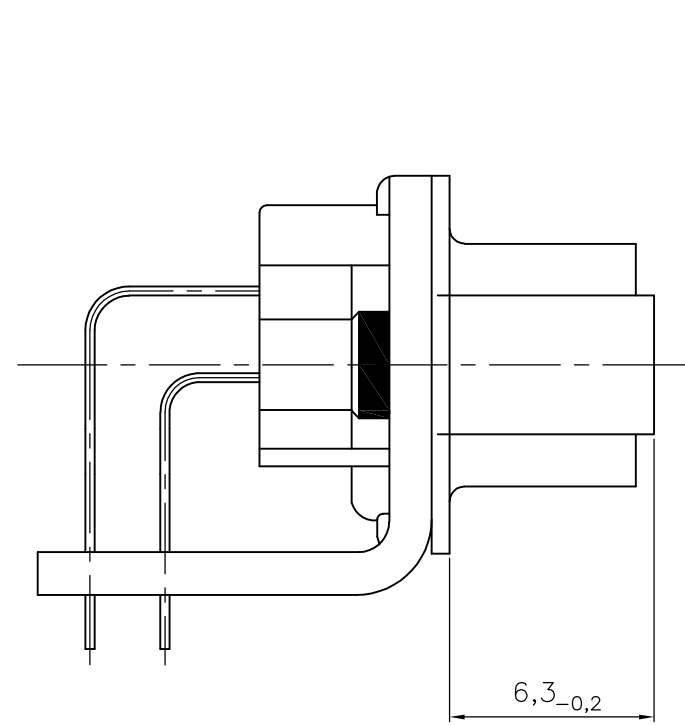
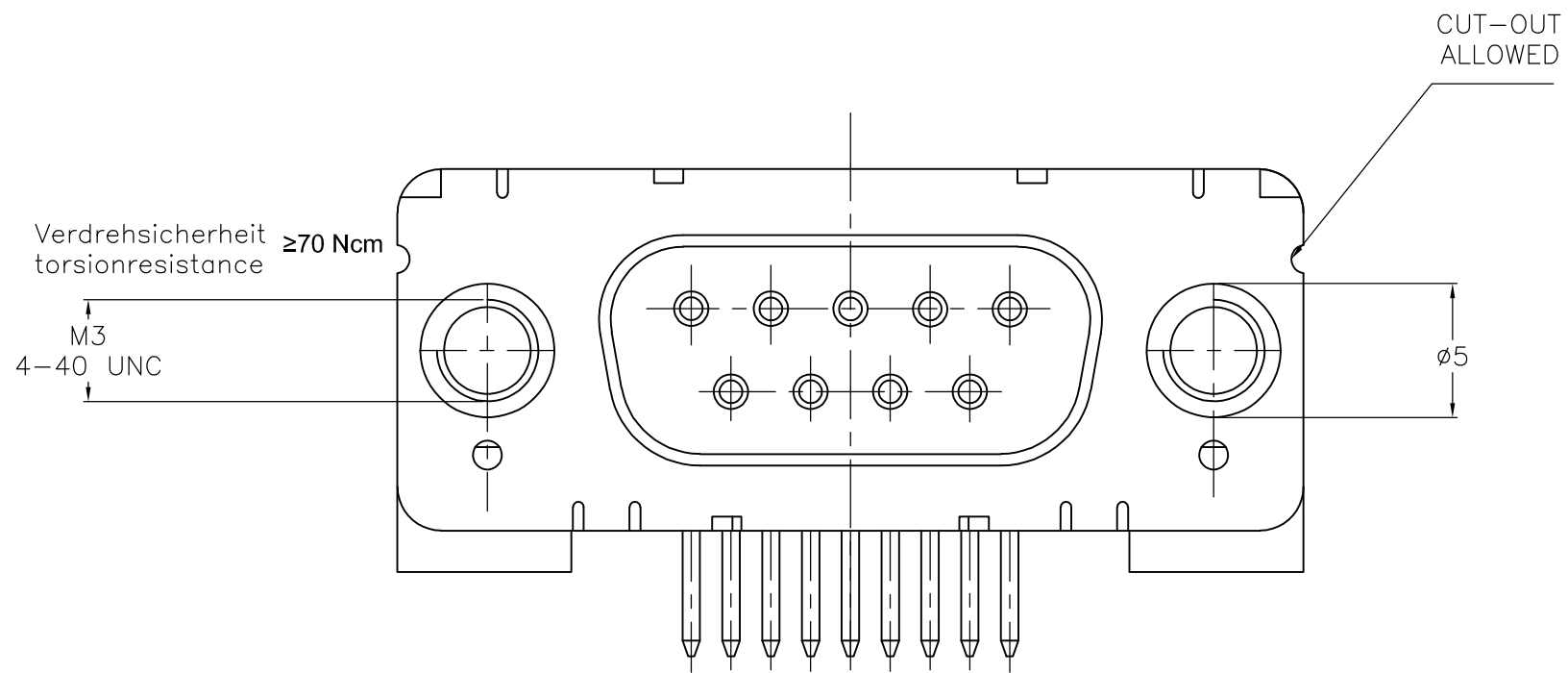
1) nach DIN 41652 T.2 und T.4 according to DIN 41652 p.2 and p.4

THIS DRAWING IS A CONTROLLED DOCUMENT. DIMENSIONING AND TOLERANCING PER ASME Y14.5M-2009		DWN GNANI JADAV A E	07JAN10	TE Connectivity	
DIMENSIONS: mm		CHK K.MALCZYK	APVD K.MALCZYK	NAME Buchsenleiste 90° Lötanschluss (Variant 2 und 3) ¹⁾ Socketconnector 90° solderversion (Type 2 and 3) ¹⁾	
TOLERANCES UNLESS OTHERWISE SPECIFIED:		PRODUCT SPEC	APPLICATION SPEC	SIZE A2	CAGE CODE 00779
MATERIAL		FINISH	WEIGHT	DRAWING NO C=1393478-4	RESTRICTED TO
CUSTOMER DRAWING		SCALE 2:1		SHEET 1 of 8	REV D

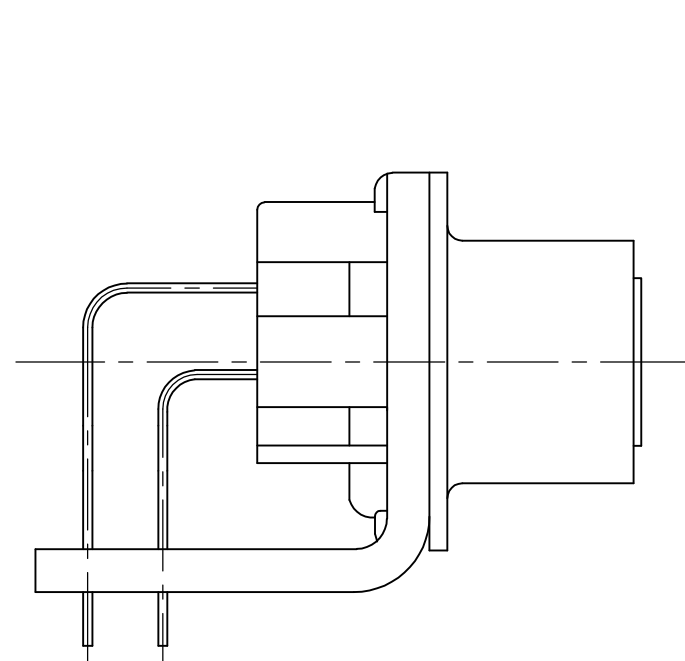
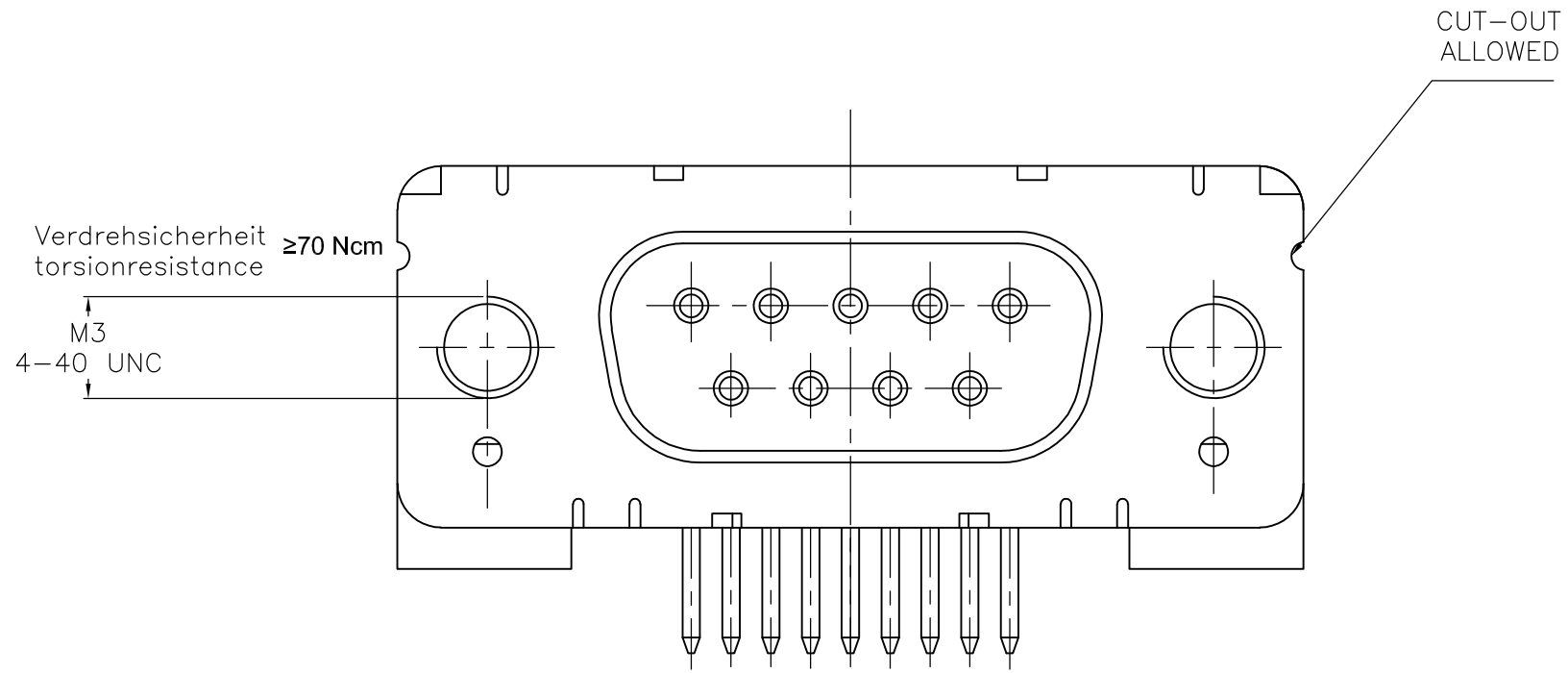
THIS DRAWING IS UNPUBLISHED. RELEASED FOR PUBLICATION
 © COPYRIGHT - By - ALL RIGHTS RESERVED.

LOC		DIST		REVISIONS			
GP	00	P	LTR	DESCRIPTION	DATE	DWN	APVD
		-		SEE SHEET 1			

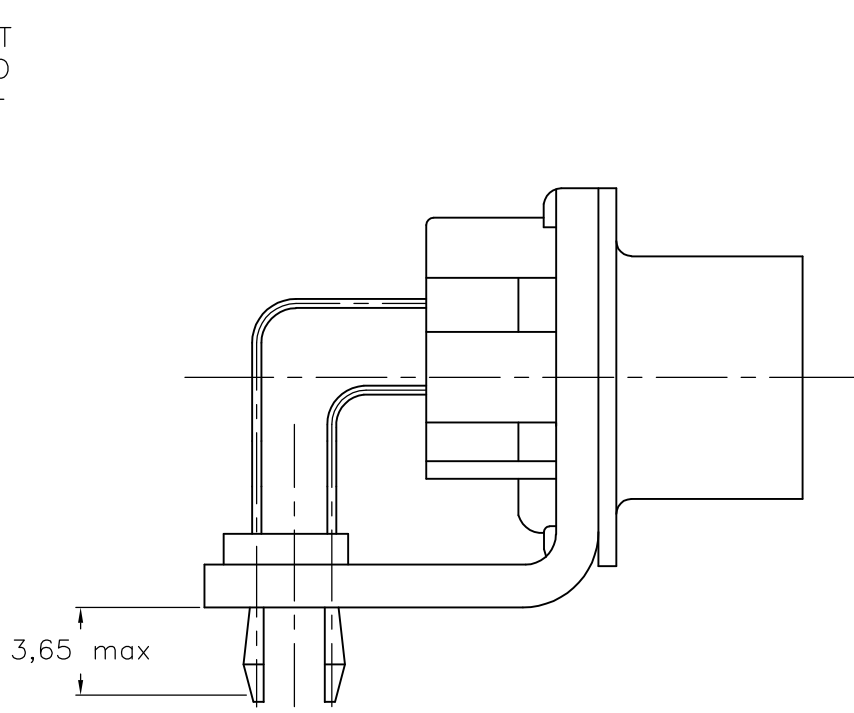
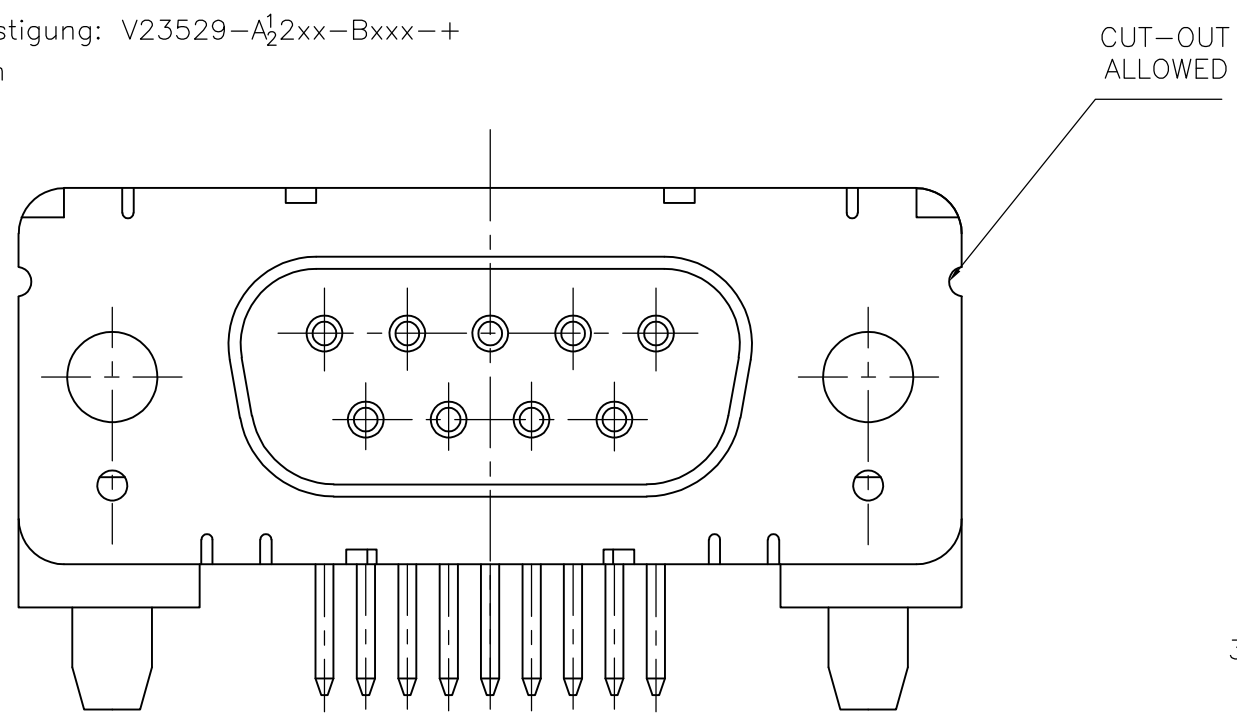
mit Gewindebolzen: M3 V23529-A₁xx4-Bxxx-+
 with thread lock 4-40 UNC V23529-A₂xx5-Bxxx-+



mit Gewinde: M3 V23529-A₁xx2-Bxxx-+
 with thread 4-40 UNC V23529-A₂xx3-Bxxx-+



mit Clipbefestigung: V23529-A₂2xx-Bxxx-+
 with snap-in



Mass Dimension	Polzahl n Number of contacts n			
	9	15	25	37
C	25	33,3	47,04	63,5
H	10,96	19,18	33,12	49,68
K	8,22	16,44	30,36	46,92
X	2,74	2,74	2,76	2,76
Y	2,54 ^{oder} 2,84			

1) nach DIN 41652 T,2 UND T,4
 according to DIN 41652 p,2 AND p,4

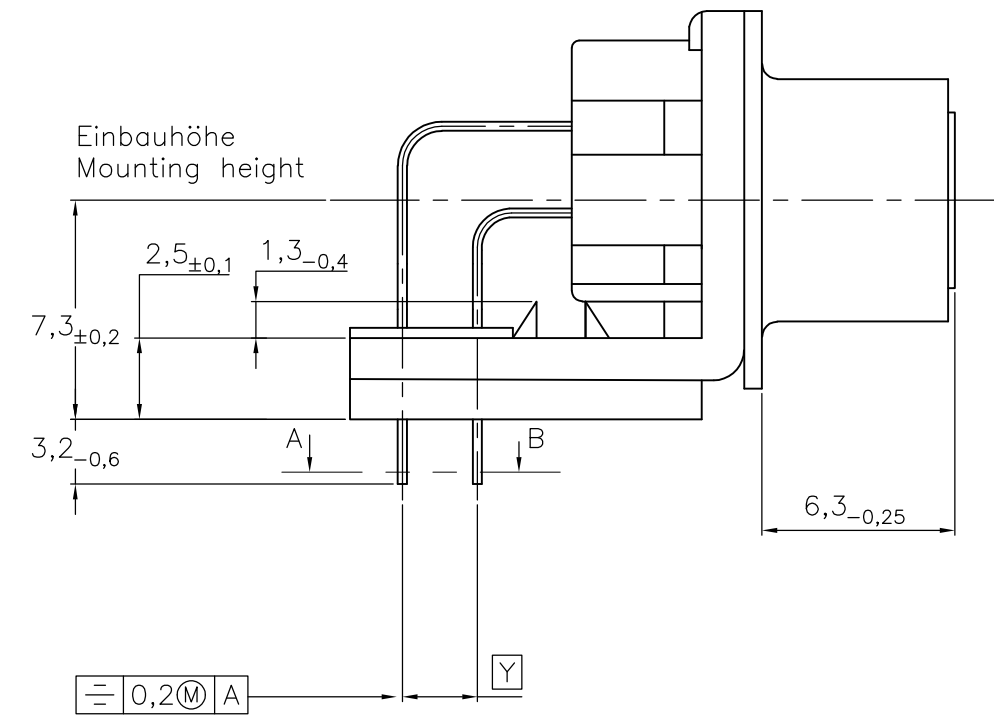
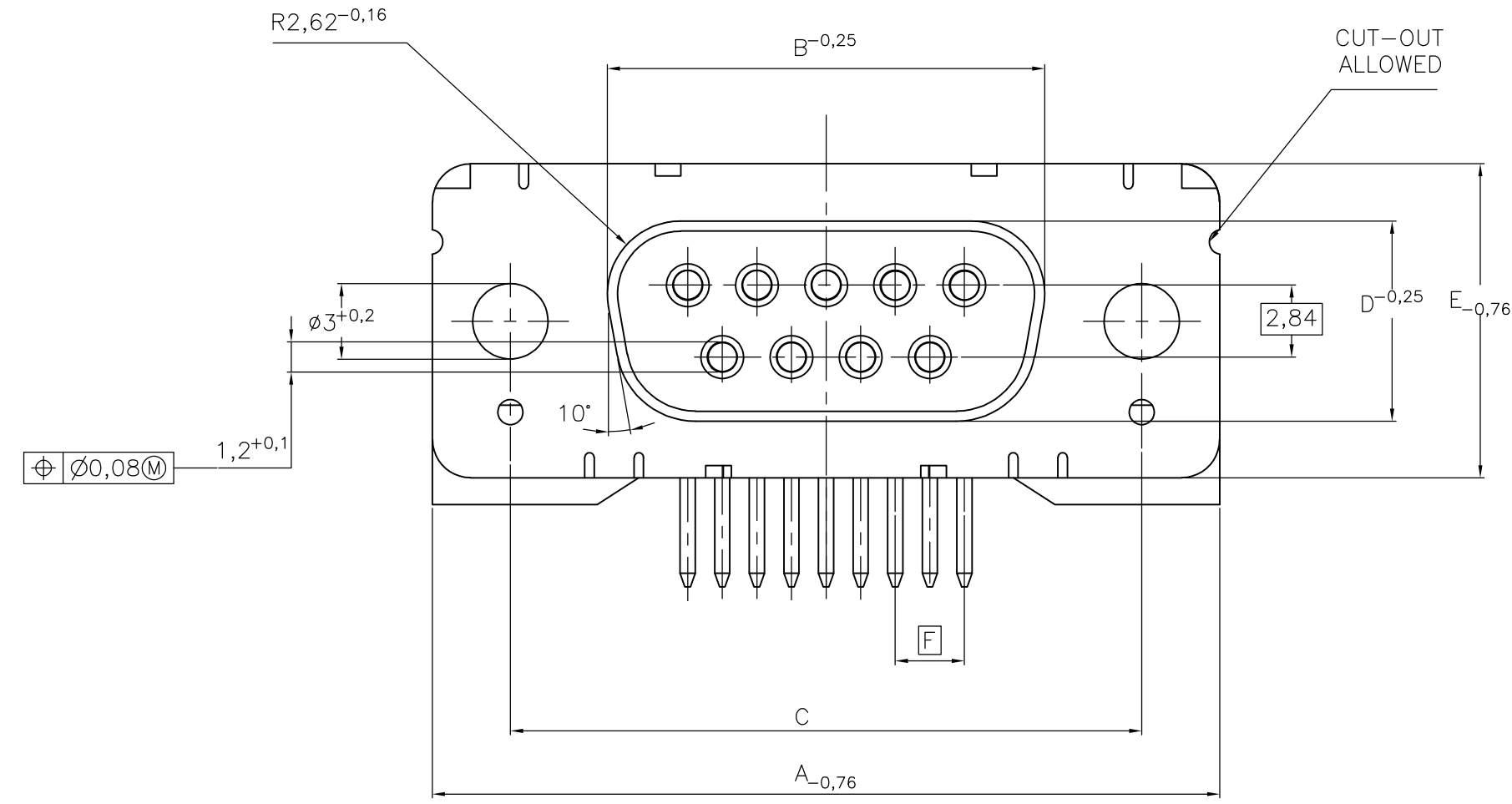
OLD PN: V23529-A****-B***-*-7427

THIS DRAWING IS A CONTROLLED DOCUMENT. DIMENSIONING AND TOLERANCING PER ASME Y14.5M-2009		DWN GNANI JADAV A E	07JAN10		
DIMENSIONS: mm		CHK K.MALCZYK			
TOLERANCES UNLESS OTHERWISE SPECIFIED:		APVD K.MALCZYK		NAME Buchsenleiste 90° Löt Ausführung (Variant 2 und 3) ¹⁾ Socketconnector, 90° solderversion (Type 2 and 3) ¹⁾	
MATERIAL		PRODUCT SPEC		SIZE A2	CAGE CODE 00779
FINISH		APPLICATION SPEC		DRAWING NO C=1393478-4	RESTRICTED TO
		WEIGHT		SCALE 2:1	SHEET 2 of 8
		CUSTOMER DRAWING		REV D	

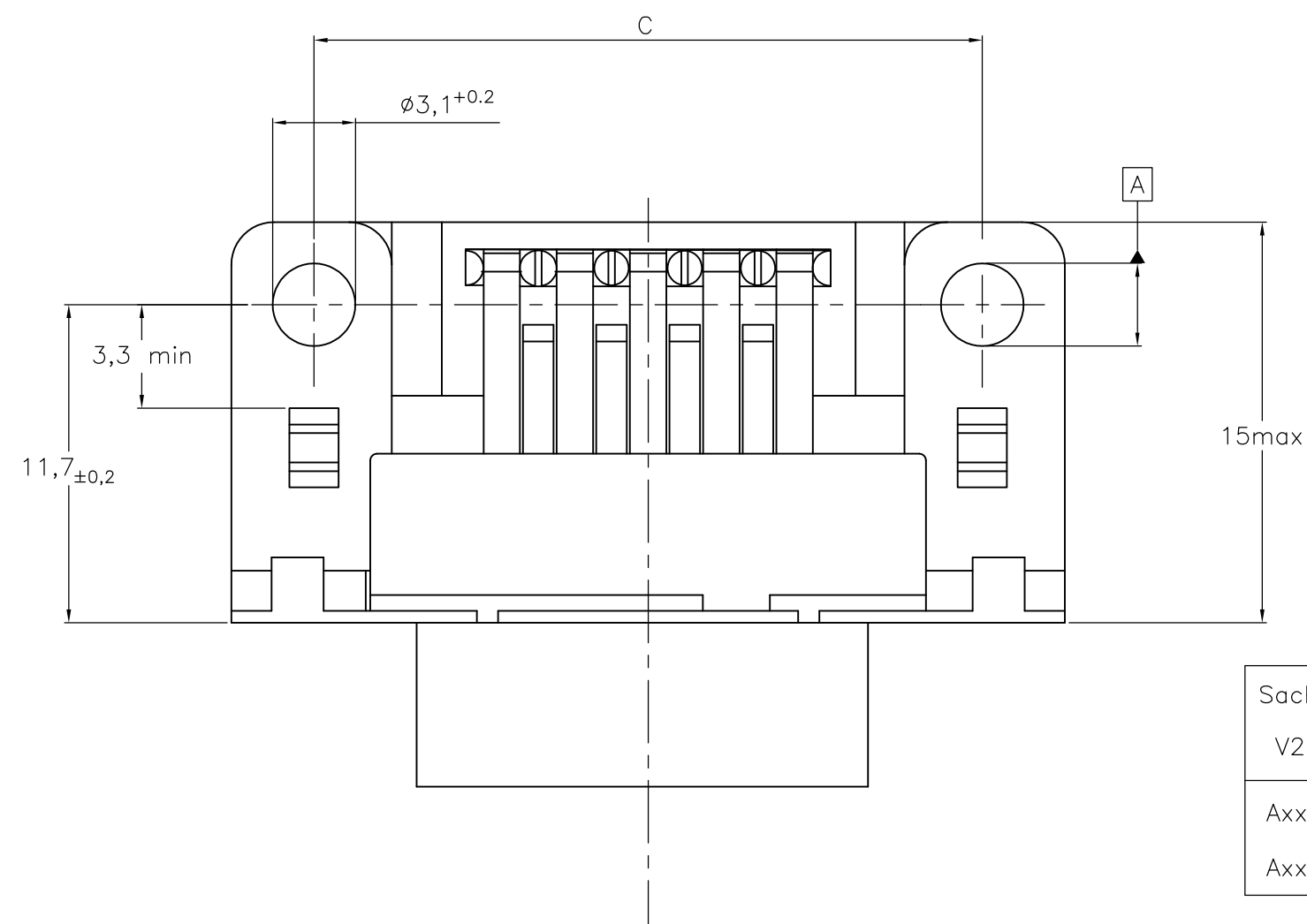
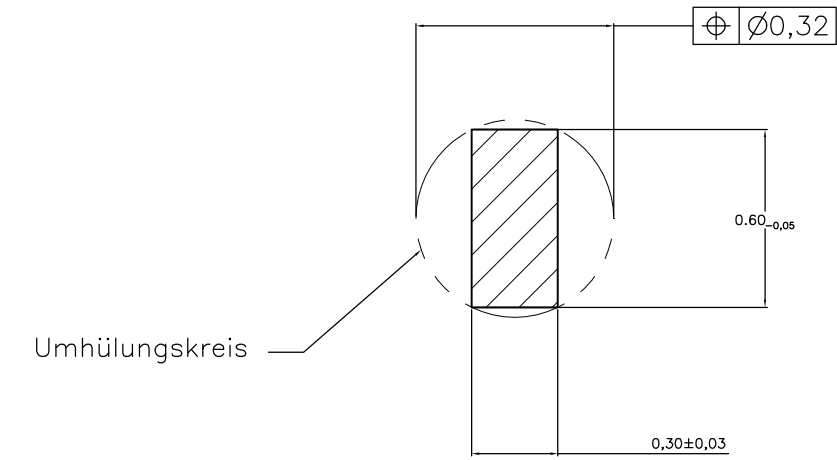
THIS DRAWING IS UNPUBLISHED. RELEASED FOR PUBLICATION
 © COPYRIGHT - By - ALL RIGHTS RESERVED.

LOC		DIST		REVISIONS			
GP	00	P	LTR	DESCRIPTION	DATE	DWN	APVD
		-	-	SEE SHEET 1	-	-	-

Standardausführung isoliert: V23529-A $\frac{3}{4}$ 1x1-Bxxx-+
 Standardversion insulated



Schnitt AB des Lötanschlusses
 Cross-section AB of solderpin
 (20:1)



Sachnr./Ordernr	Y
V23529-	Y
Axx1x-Bxxx-+	2,84
Axx2x-Bxxx-+	2,54

Ordercode Sachnr	Contacts Polzahl	Mass/Dimension					
		A	B	C	D	E	F
..-Bx09-+	09	31,19	16,46	25,0 ^{+0,12} _{-0,13}	8,02	12,93	2,74
..-Bx15-+	15	39,52	24,79	33,3 ^{+0,15} _{-0,1}			2,74
..-Bx25-+	25	53,42	38,5	47,04 ^{+0,13} _{-0,13}			2,76
..-Bx37-+	37	69,7	54,96	63,5 ^{+0,13} _{-0,13}			2,76

Anforderungsstufe/Performance level ¹⁾

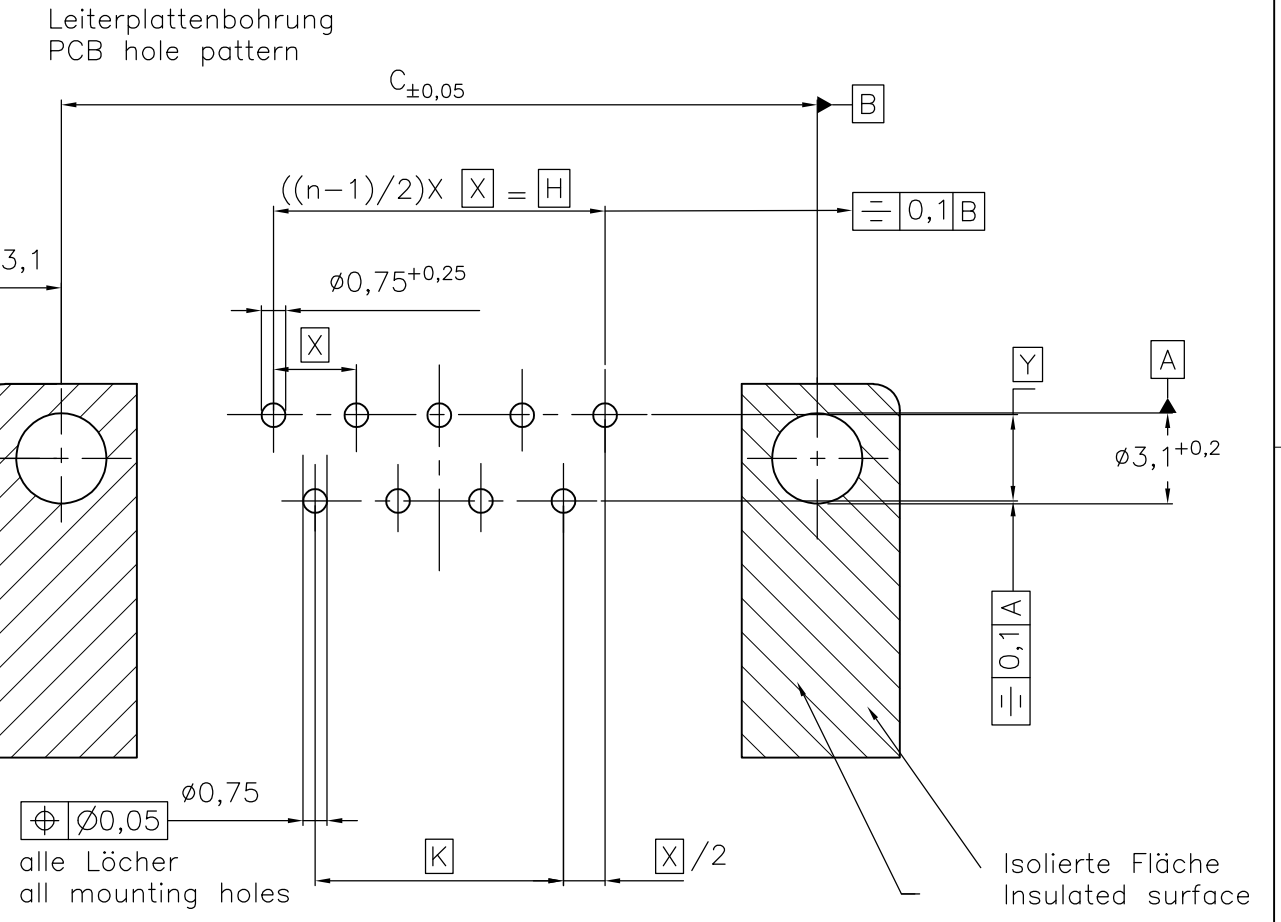
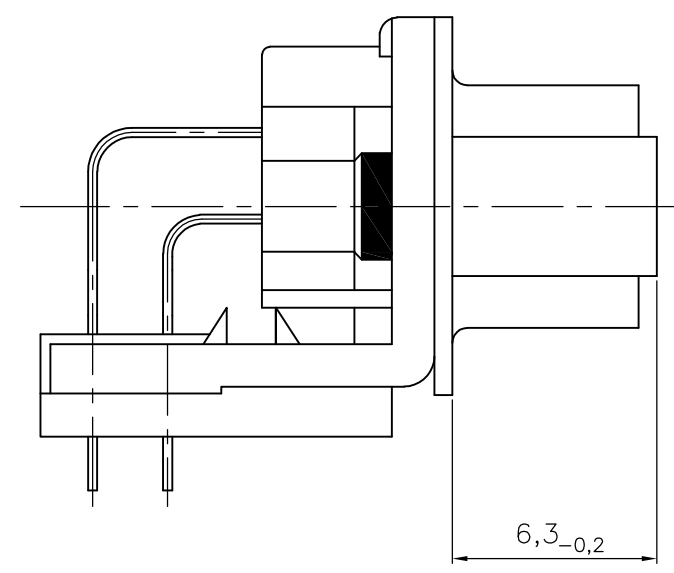
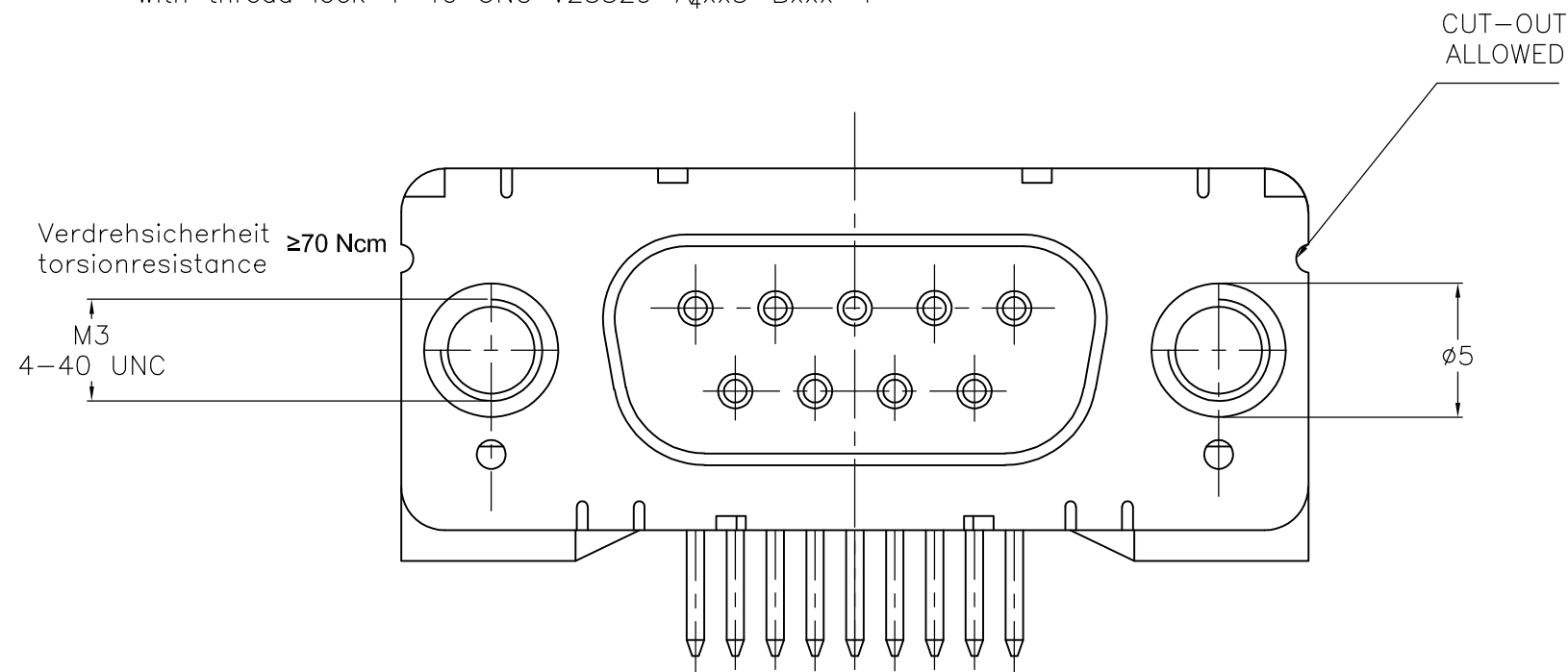
OLD PN: V23529-A****B***-*-7427

1) nach DIN 41652 T.2 und T.4
 according to DIN 41652 p.2 and p.4

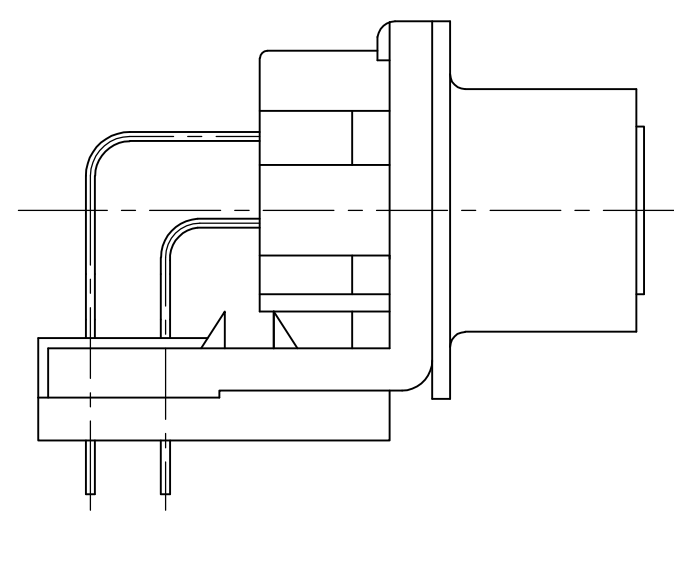
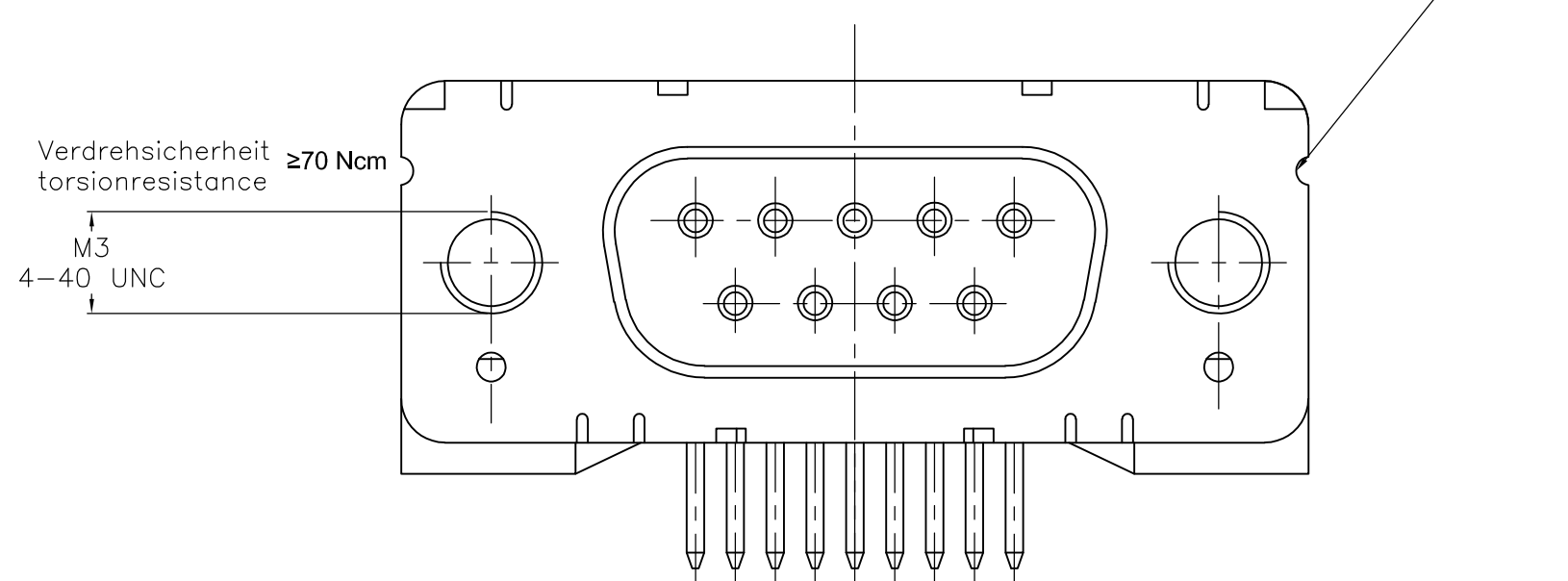
THIS DRAWING IS A CONTROLLED DOCUMENT. DIMENSIONING AND TOLERANCING PER ASME Y14.5M-2009		DWN: GNANI JADAV A E	07JAN10			TE Connectivity	
DIMENSIONS: mm		CHK: K.MALCZYK				NAME: Buchsenleiste 90° Lötanschluss (Variant 2 und 3) ¹⁾ Socketconnector, 90° solderversion (Type 2 and 3) ¹⁾	
TOLERANCES UNLESS OTHERWISE SPECIFIED:		APVD: K.MALCZYK		SIZE: A2	CAGE CODE: 00779	DRAWING NO: C=1393478-4	SCALE: 2:1
MATERIAL: -		PRODUCT SPEC: -		WEIGHT: -	SHEET: 3 of 8	REV: D	
FINISH: -		APPLICATION SPEC: -		CUSTOMER DRAWING			

LOC		DIST		REVISIONS			
P	LTR	DESCRIPTION	DATE	DWN	APVD		
GP	00	SEE SHEET 1	-	-	-		

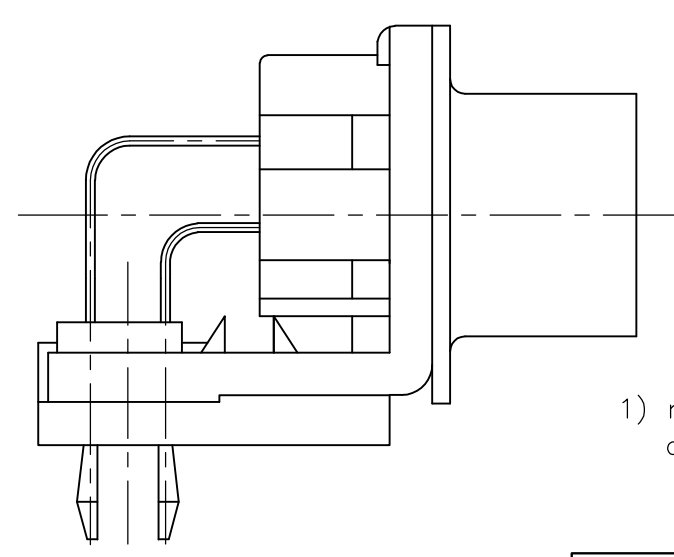
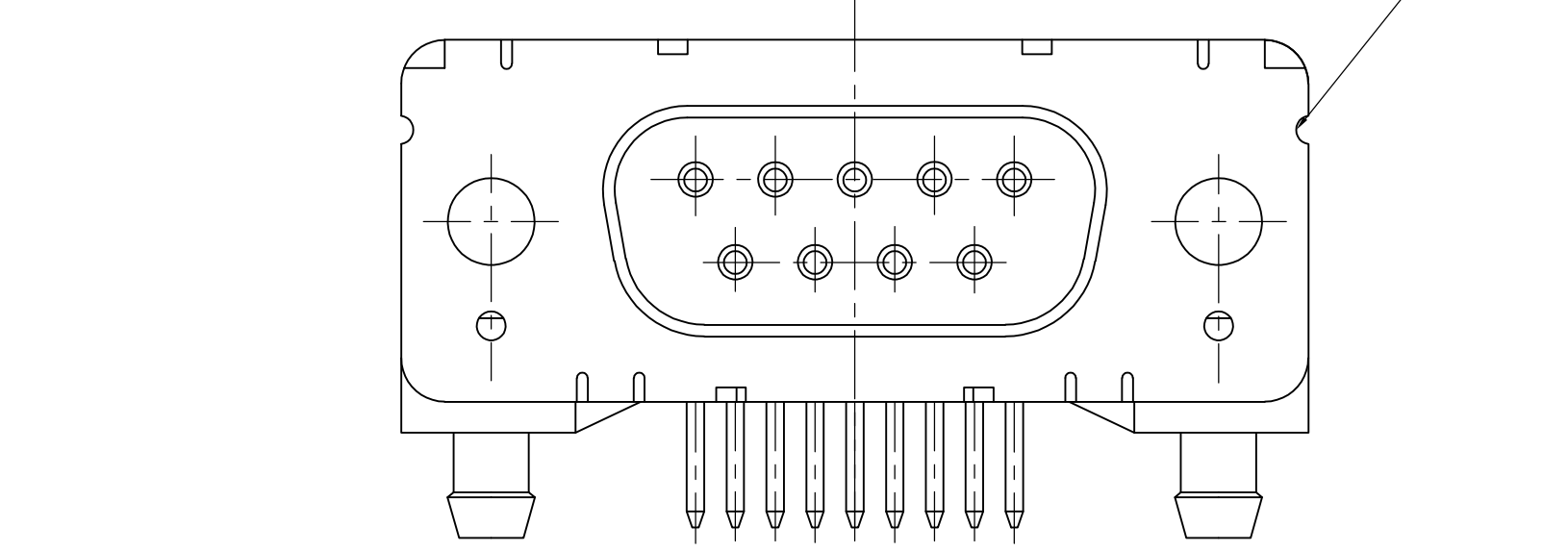
mit Gewindebolzen: M3 V23529-A₃xx4-Bxxx-+
 with thread lock 4-40 UNC V23529-A₃xx5-Bxxx-+



mit Gewinde: M3 V23529-A₃xx2-Bxxx-+
 with thread 4-40 UNC V23529-A₃xx3-Bxxx-+



mit Clipbefestigung: V23529-A₃2xx-Bxxx-+
 with snap-in



Mass Dimension	Polzahl n Number of contacts n			
	9	15	25	37
C	25	33,3	47,04	63,5
H	10,96	19,18	33,12	49,68
K	8,22	16,44	30,36	46,92
X	2,74	2,74	2,76	2,76
Y	2,54 ^{oder} 2,84			

1) nach DIN 41652 T,2 UND T,4
 according to DIN 41652 p,2 AND p,4

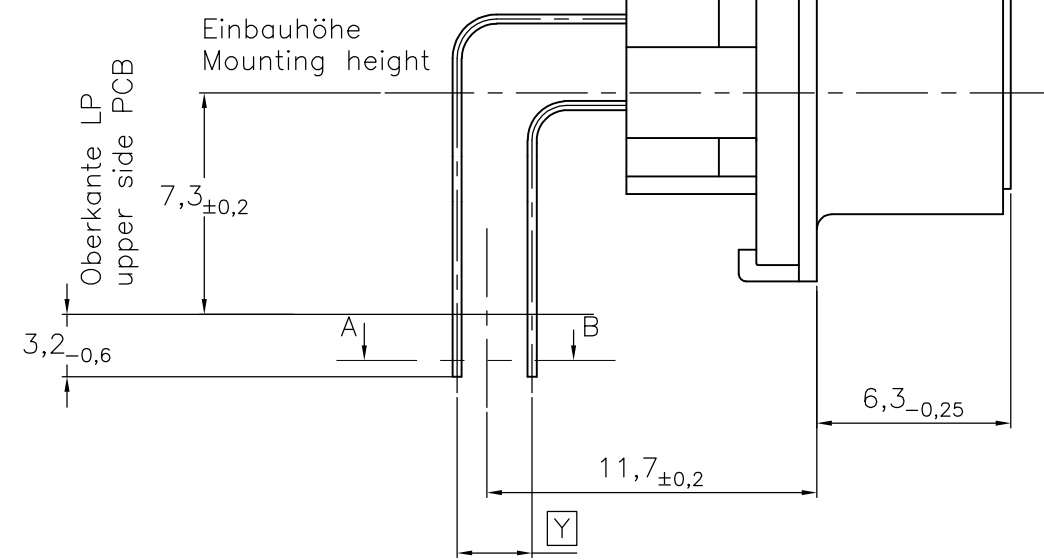
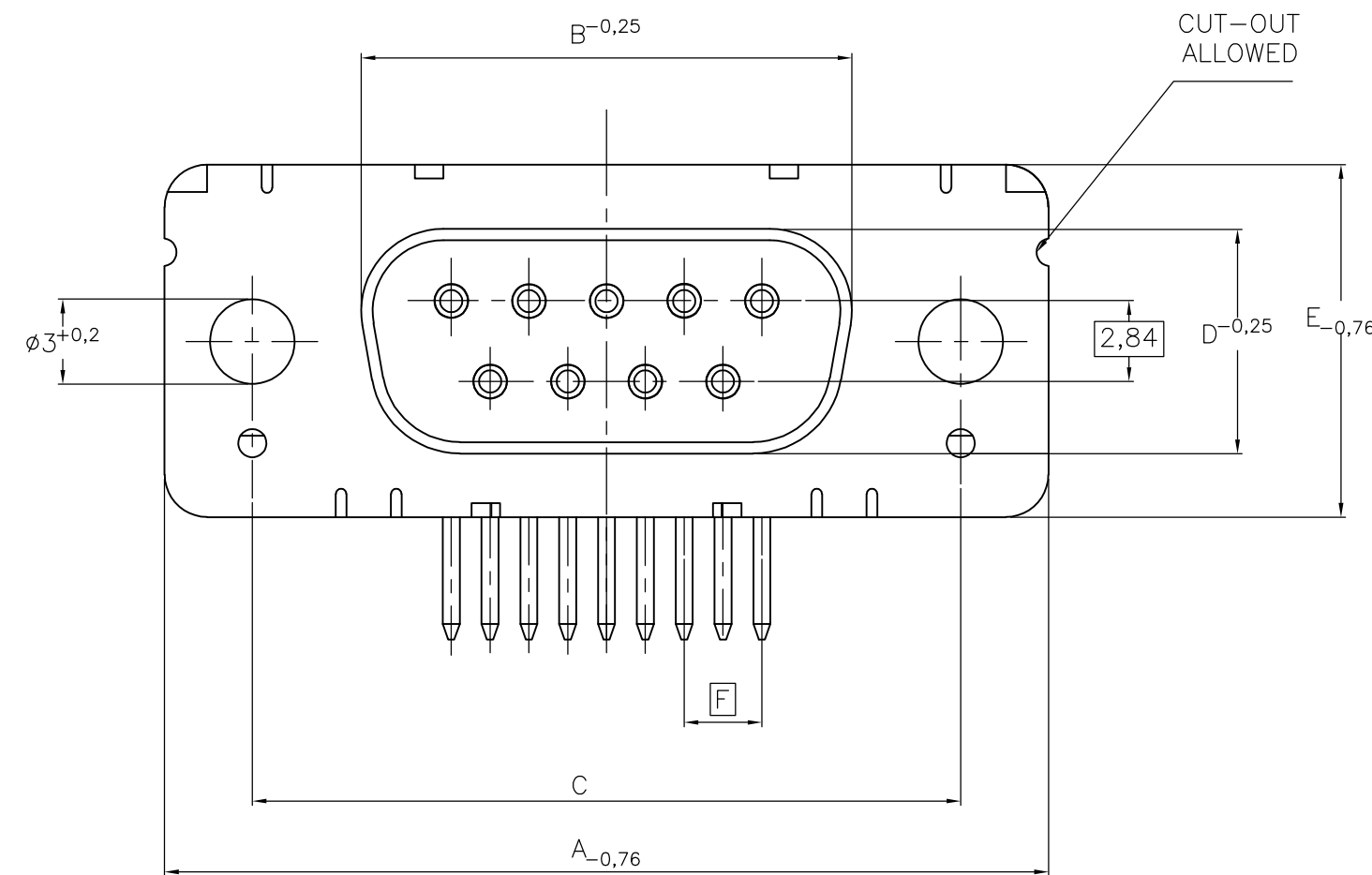
OLD PN: V23529-A****-B****-*-7427

THIS DRAWING IS A CONTROLLED DOCUMENT. DIMENSIONING AND TOLERANCING PER ASME Y14.5M-2009		DWN 07JAN10 GNANI JADAV A E		
DIMENSIONS: mm		CHK K.MALCZYK		
TOLERANCES UNLESS OTHERWISE SPECIFIED:		APVD K.MALCZYK	PRODUCT SPEC	SIZE A2
0 PLC ± -		APPLICATION SPEC	WEIGHT -	CAGE CODE 00779
1 PLC ± -		WEIGHT	SCALE 2:1	DRAWING NO C=1393478-4
2 PLC ± -		FINISH -	SHEET 4 of 8	RESTRICTED TO -
3 PLC ± -		MATERIAL -	REV D	
4 PLC ± -				
ANGLES ± -				
CUSTOMER DRAWING				

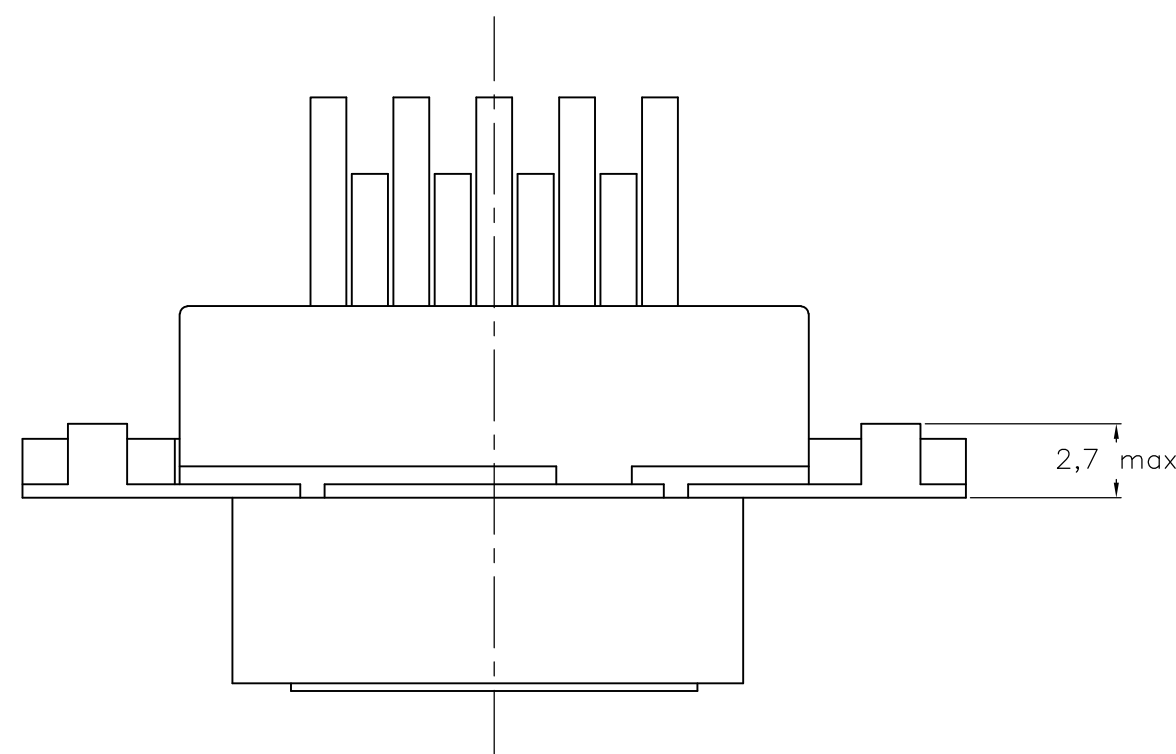
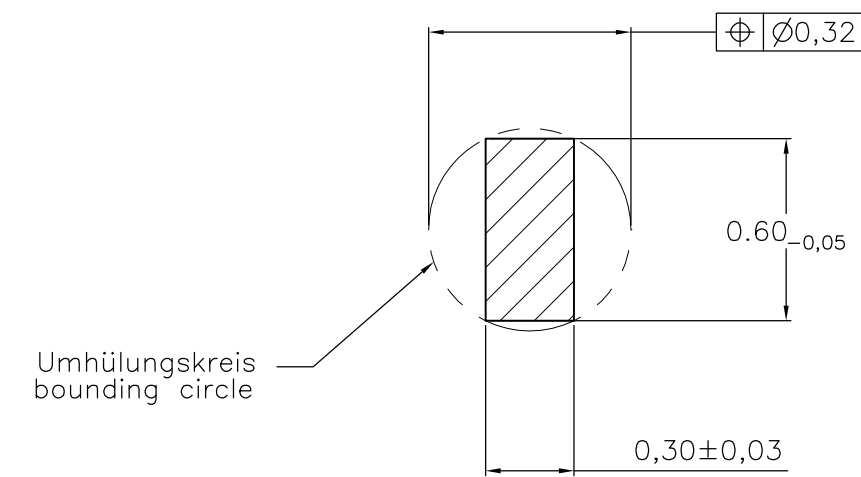
THIS DRAWING IS UNPUBLISHED. RELEASED FOR PUBLICATION
 © COPYRIGHT - By - ALL RIGHTS RESERVED.

LOC		DIST		REVISIONS			
P	LTR	DESCRIPTION	DATE	DWN	APVD		
GP	00	SEE SHEET 1	-	-	-		

Standardausführung ohne Winkel: V23529-A50x1-Bxxx-+
 Standardversion without bracket



Schnitt AB des Lötanschlusses
 Cross-section AB of solderpin
 (20:1)



Sachnr./Ordernr	Y
V23529-	
A501x-Bxxx-+	2,84
A502x-Bxxx-+	2,54

Ordercode	Contacts	Mass/Dimension							
		Sachnr	Polzahl	A	B	C	D	E	F
..-Bx09-+	09			31,19	16,46	25,0 $\begin{smallmatrix} +0,12 \\ -0,13 \end{smallmatrix}$	8,02	12,93	2,74
..-Bx15-+	15			39,52	24,79	33,3 $\begin{smallmatrix} +0,15 \\ -0,1 \end{smallmatrix}$			2,74
..-Bx25-+	25			53,42	38,5	47,04 $\begin{smallmatrix} +0,13 \\ -0,13 \end{smallmatrix}$			2,76
..-Bx37-+	37			69,7	54,96	63,5 $\begin{smallmatrix} +0,13 \\ -0,13 \end{smallmatrix}$			2,76

Anforderungsstufe/Performance level ¹⁾

OLD PN: V23529-A****-B***-*-7427

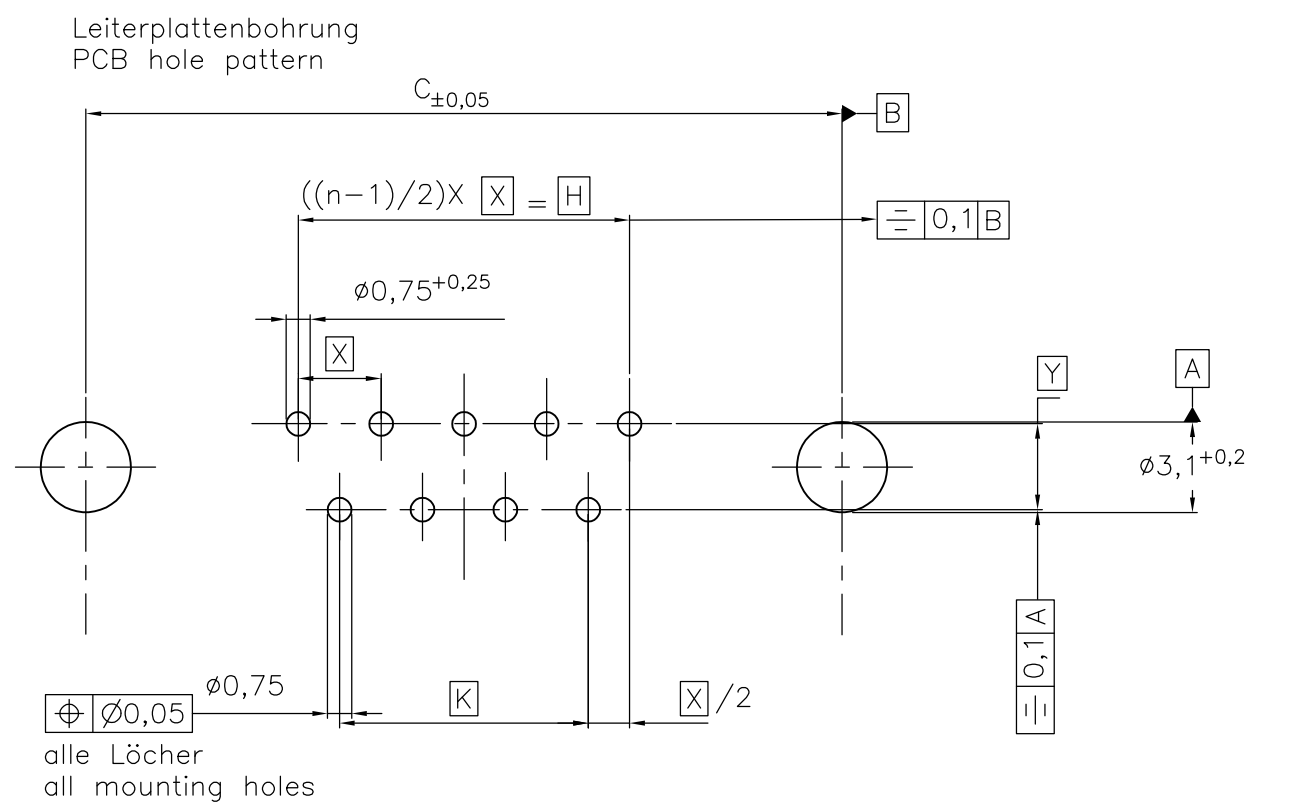
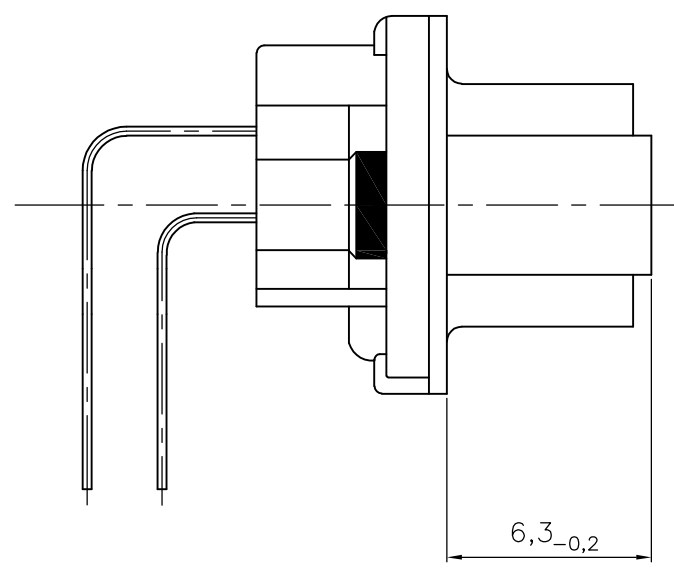
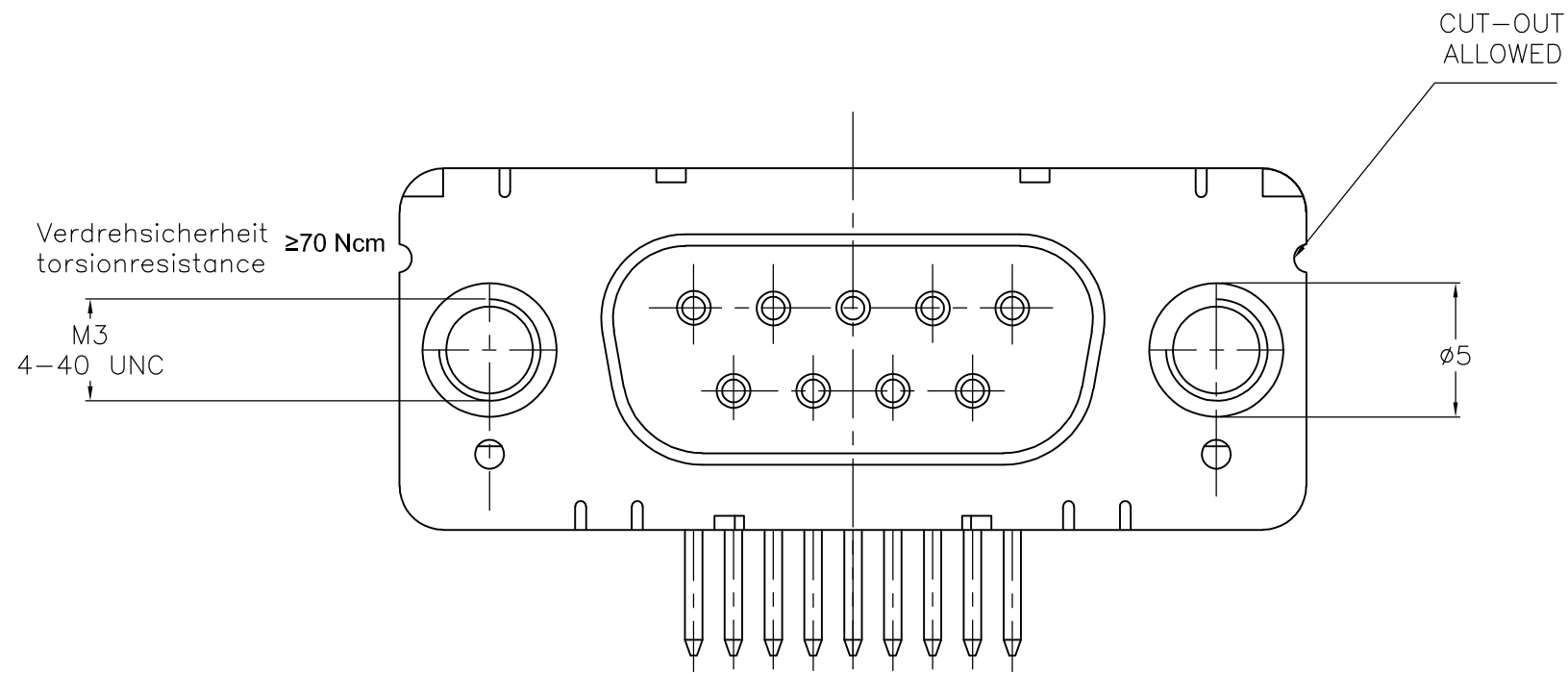
1) nach DIN 41652 T.2 und T.4
 according to DIN 41652 p.2 and p.4

THIS DRAWING IS A CONTROLLED DOCUMENT. DIMENSIONING AND TOLERANCING PER ASME Y14.5M-2009		DWN	07JAN10	GNANI JADAV A E	
DIMENSIONS: mm		CHK		K.MALCZYK	
TOLERANCES UNLESS OTHERWISE SPECIFIED:		APVD		K.MALCZYK	
0 PLC ± -		PRODUCT SPEC		NAME	
1 PLC ± -		APPLICATION SPEC		Buchsenleiste 90° Löt Ausführung (Variant 2 und 3) ¹⁾	
2 PLC ± -				Socketconnector, 90° solderversion (Type 2 and 3) ¹⁾	
3 PLC ± -		WEIGHT		SIZE	CAGE CODE
4 PLC ± -				A2	00779
ANGLES ± -		CUSTOMER DRAWING		DRAWING NO	RESTRICTED TO
FINISH				C=1393478-4	-
		SCALE	2:1	SHEET	5 of 8
		REV	D		

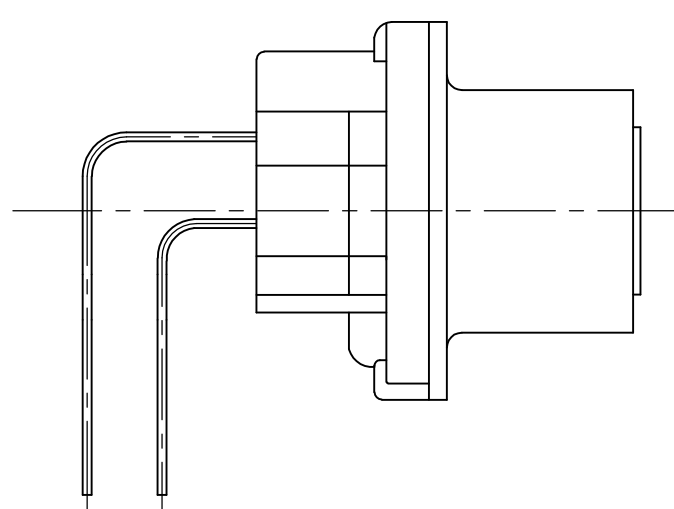
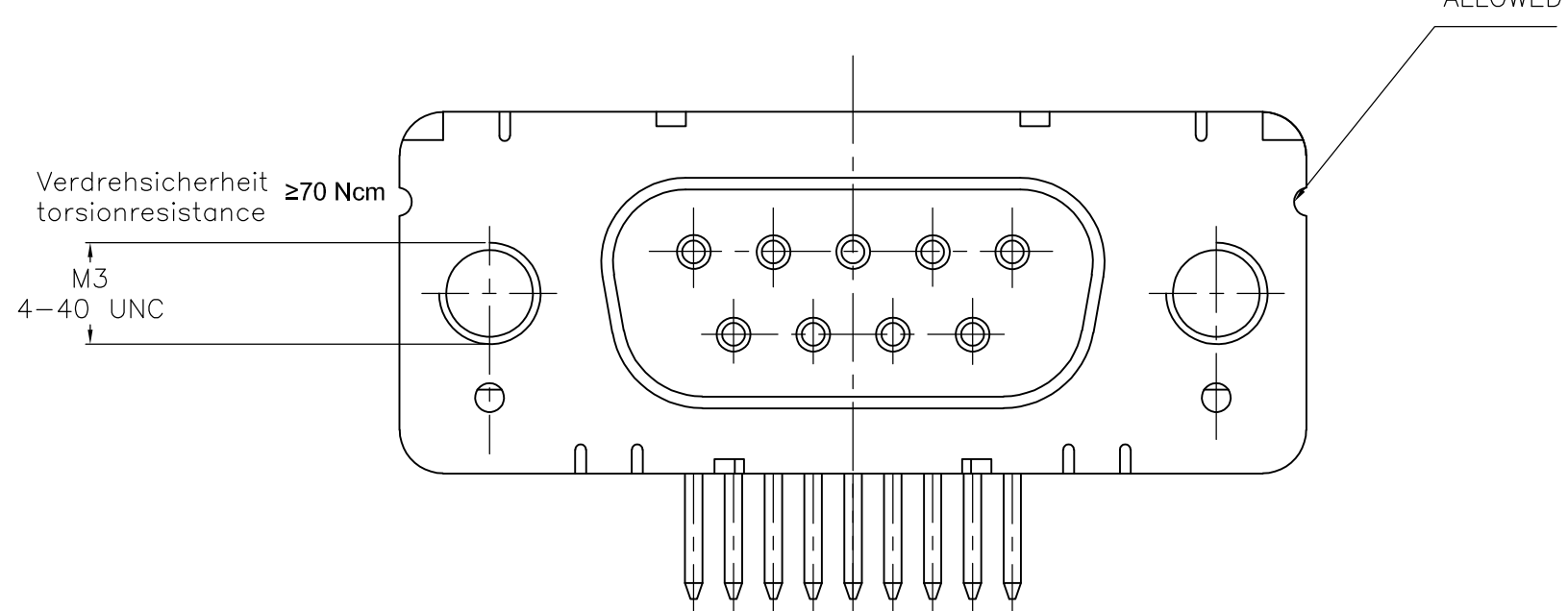
THIS DRAWING IS UNPUBLISHED. RELEASED FOR PUBLICATION
 © COPYRIGHT - By - ALL RIGHTS RESERVED.

LOC	DIST	REVISIONS			
P	LTR	DESCRIPTION	DATE	DWN	APVD
GP	00	SEE SHEET 1	-	-	-

mit Gewindebolzen: M3 V23529-A50x4-Bxxx-+
 with thread lock 4-40 UNC V23529-A50x5-Bxxx-+



mit Gewinde: M3 V23529-A50x2-Bxxx-+
 with thread 4-40 UNC V23529-A50x3-Bxxx-+



Mass Dimension	Polzahl n Number of contacts n			
	9	15	25	37
C	25	33,3	47,04	63,5
H	10,96	19,18	33,12	49,68
K	8,22	16,44	30,36	46,92
X	2,74	2,74	2,76	2,76
Y	2,54 ^{oder} 2,84			

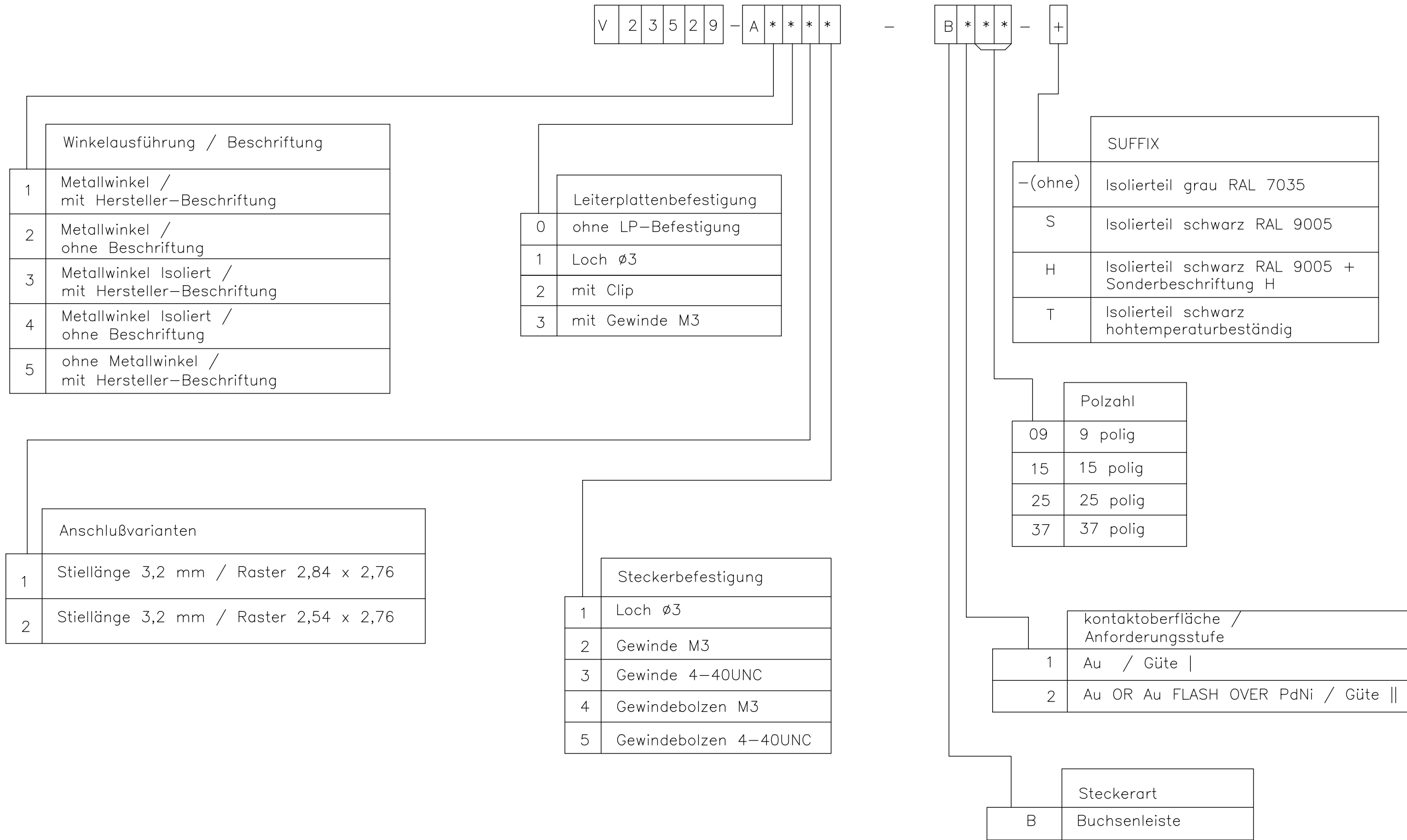
1) nach DIN 41652 T,2 UND T,4
 according to DIN 41652 p,2 AND p,4

OLD PN: V23529-A****-B***-*-7427

THIS DRAWING IS A CONTROLLED DOCUMENT. DIMENSIONING AND TOLERANCING PER ASME Y14.5M-2009		DWN: GNANI JADAV A E CHK: K.MALCZYK APVD: K.MALCZYK PRODUCT SPEC: - APPLICATION SPEC: - WEIGHT: -		
DIMENSIONS: mm TOLERANCES UNLESS OTHERWISE SPECIFIED: 0 PLC ± - 1 PLC ± - 2 PLC ± - 3 PLC ± - 4 PLC ± - ANGLES ± - MATERIAL: - FINISH: -		NAME: Buchsenleiste 90° LötAusführung (Variant 2 und 3) ¹⁾ Socketconnector, 90° solderversion (Type 2 and 3) ¹⁾		
MATERIAL: -		SIZE: A2	CAGE CODE: 00779	DRAWING NO: C=1393478-4
CUSTOMER DRAWING		SCALE: 2:1	SHEET: 6 of 8	REV: D

THIS DRAWING IS UNPUBLISHED. RELEASED FOR PUBLICATION
 © COPYRIGHT - By - ALL RIGHTS RESERVED.

LOC	DIST	REVISIONS					
GP	00	P	LTR	DESCRIPTION	DATE	DWN	APVD
		-		SEE SHEET 1	-	-	-



1) nach DIN 41652 T.2 und T.4
 according to DIN 41652 p.2 and p.4

OLD PN: V23529-A*****B***-*-7427

THIS DRAWING IS A CONTROLLED DOCUMENT. DIMENSIONING AND TOLERANCING PER ASME Y14.5M-2009		DWN 07JAN10 GNANI JADAV A E	TE Connectivity													
DIMENSIONS: mm		CHK K.MALCZYK														
TOLERANCES UNLESS OTHERWISE SPECIFIED:		APVD K.MALCZYK	NAME Buchsenleiste 90° LötAusführung (Variant 2 und 3) ¹⁾ Socketconnector, 90° solderversion (Type 2 and 3) ¹⁾													
<table border="1"> <tr><td>0 PLC</td><td>± -</td></tr> <tr><td>1 PLC</td><td>± -</td></tr> <tr><td>2 PLC</td><td>± -</td></tr> <tr><td>3 PLC</td><td>± -</td></tr> <tr><td>4 PLC</td><td>± -</td></tr> <tr><td>ANGLES</td><td>± -</td></tr> </table>		0 PLC	± -	1 PLC	± -	2 PLC	± -	3 PLC	± -	4 PLC	± -	ANGLES	± -	PRODUCT SPEC	SIZE A2	
0 PLC	± -															
1 PLC	± -															
2 PLC	± -															
3 PLC	± -															
4 PLC	± -															
ANGLES	± -															
MATERIAL -		APPLICATION SPEC	CAGE CODE 00779	DRAWING NO C=1393478-4												
FINISH -		WEIGHT -	RESTRICTED TO -													
CUSTOMER DRAWING			SCALE 2:1	SHEET 7 of 8												

THIS DRAWING IS UNPUBLISHED. RELEASED FOR PUBLICATION
 © COPYRIGHT - By - ALL RIGHTS RESERVED.

LOC	DIST	REVISIONS					
GP	00	P	LTR	DESCRIPTION	DATE	DWN	APVD
		-		SEE SHEET 1	-	-	-

Active part numbers. Contact Tyco Electronics for other configuration availability

Old Part Number	TE Part Number		PRIMARY	SECONDARY
V23529-A1111-B209	1393478-4	OBSOLETE		
V23529-A1111-B215	1393478-5			
V23529-A1111-B225	1393478-6			
V23529-A1111-B237	1393478-7	3		
V23529-A1112-B215	1393478-7	2	OBSOLETE	
V23529-A1112-B225	1393478-8	2	OBSOLETE	
V23529-A1115-B209	2-1393478-5			
V23529-A1115-B215	2-1393478-6	OBSOLETE		
V23529-A1115-B225	2-1393478-7	2	OBSOLETE	
V23529-A1115-B237	2-1393478-8			
V23529-A1121-B209	3-1393478-8	OBSOLETE		
V23529-A1121-B215	3-1393478-9	OBSOLETE		
V23529-A1121-B225	4-1393478-0			
V23529-A1121-B237	4-1393478-1			
V23529-A1122-B109	4-1393478-8	2	OBSOLETE	
V23529-A1122-B115	4-1393478-9	2	OBSOLETE	
V23529-A1122-B209	5-1393478-0	OBSOLETE		
V23529-A1122-B215	5-1393478-1	2	OBSOLETE	
V23529-A1122-B225	5-1393478-2	2	OBSOLETE	
V23529-A1123-B209	5-1393478-8			
V23529-A1123-B215	5-1393478-9	OBSOLETE		
V23529-A1123-B225	6-1393478-0	OBSOLETE		
V23529-A1123-B237	6-1393478-1	OBSOLETE		
V23529-A1124-B109	6-1393478-9	3		
V23529-A1124-B225	7-1393478-2			
V23529-A1125-B125	7-1393478-7	2	OBSOLETE	
V23529-A1125-B209	7-1393478-8			
V23529-A1125-B225	7-1393478-9	OBSOLETE		
V23529-A1212-B209	8-1393478-9	OBSOLETE		
V23529-A1212-B215	9-1393478-0	2	OBSOLETE	
V23529-A1212-B225	9-1393478-1	2	OBSOLETE	
V23529-A1213-B215	9-1393478-5	2	OBSOLETE	
V23529-A1215-B209	1393479-1			
V23529-A1215-B225	1393479-3	2	OBSOLETE	
V23529-A1221-B209	1-1393479-0	2	OBSOLETE	
V23529-A1221-B215	1-1393479-1	2	OBSOLETE	
V23529-A1221-B225	1-1393479-2	2	OBSOLETE	
V23529-A1221-B237	1-1393479-3	2	OBSOLETE	
V23529-A1222-B109	2-1393479-3	OBSOLETE		
V23529-A1222-B115	2-1393479-4	2	OBSOLETE	
V23529-A3223-B225	1-1393480-0	SUPERSEDED	1-106507-2	
V23529-A3212-B215	1393480-2	OBSOLETE		
V23529-A3213-B209	1393480-6	OBSOLETE		
V23529-A3111-B209	6-1393479-8	OBSOLETE		

Old Part Number	TE Part Number		PRIMARY	SECONDARY
V23529-A3111-B215	6-1393479-9	OBSOLETE		
V23529-A3122-B209	6-1393487-0	SUPERSEDED	7-106505-2	
V23529-A3111-B225	7-1393479-0	OBSOLETE		
V23529-A3113-B225	7-1393479-5	OBSOLETE		
V23529-A3115-B209	8-1393479-2	OBSOLETE		
V23529-A3121-B209	8-1393479-4	SUPERSEDED	5-106505-2	
V23529-A3121-B225	8-1393479-5	SUPERSEDED	5-106507-2	
V23529-A3123-B225	9-1393479-6	SUPERSEDED	6-106507-2	
V23529-A1222-B209	2-1393479-6	OBSOLETE		
V23529-A1222-B215	2-1393479-7	OBSOLETE		
V23529-A1222-B225	2-1393479-8	3		
V23529-A1222-B237	2-1393479-9	OBSOLETE		
V23529-A1223-B209	3-1393479-8			
V23529-A1223-B215	3-1393479-9			
V23529-A1223-B225	4-1393479-0			
V23529-A1223-B237	4-1393479-1	OBSOLETE		
V23529-A1224-B209	4-1393479-8	OBSOLETE		
V23529-A1224-B215	4-1393479-9	OBSOLETE		
V23529-A1224-B225	5-1393479-0	OBSOLETE		
V23529-A1224-B237	5-1393479-1	3		
V23529-A1225-B209	5-1393479-9			
V23529-A1225-B215	6-1393479-0			
V23529-A1225-B225	6-1393479-1	OBSOLETE		
V23529-A1225-B237	6-1393479-2	2	OBSOLETE	
V23529-A3113-B209	7-1393479-3	OBSOLETE		
V23529-A3113-B237	7-1393479-6	OBSOLETE		
V23529-A3121-B215	5-1393487-6	SUPERSEDED	5-106506-2	
V23529-A3121-B237	5-1393487-7	SUPERSEDED	5-106508-2	
V23529-A3122-B215	9-1393479-2	SUPERSEDED	7-106506-2	
V23529-A3122-B225	9-1393479-3	SUPERSEDED	7-106507-2	
V23529-A3122-B237	6-1393487-1	SUPERSEDED	7-106508-2	
V23529-A3125-B209	6-1393487-5	SUPERSEDED	8-106505-2	
V23529-A3125-B215	6-1393487-6	SUPERSEDED	8-106506-2	
V23529-A3125-B225	6-1393487-7	SUPERSEDED	8-106507-2	
V23529-A3125-B237	6-1393487-8	SUPERSEDED	8-106508-2	
V23529-A3212-B225	1393480-3	OBSOLETE		
V23529-A3221-B209	7-1393487-3	SUPERSEDED	106505-2	
V23529-A3221-B215	7-1393487-4	SUPERSEDED	106506-2	
V23529-A3221-B225	7-1393487-5	SUPERSEDED	106507-2	
V23529-A3221-B237	7-1393487-6	SUPERSEDED	106508-2	
V23529-A3222-B209	8-1393487-1	SUPERSEDED	2-106505-2	
V23529-A3222-B215	8-1393487-2	SUPERSEDED	2-106506-2	
V23529-A3222-B215	8-1393487-3	SUPERSEDED	2-106507-2	
V23529-A3222-B225	8-1393487-4	SUPERSEDED	2-106508-2	
V23529-A3225-B209	1-1393480-2	SUPERSEDED	3-106505-2	
V23529-A3225-B215	1-1393480-3	SUPERSEDED	3-106506-2	
V23529-A3225-B225	8-1393487-8	SUPERSEDED	3-106507-2	
V23529-A3225-B237	8-1393487-9	SUPERSEDED	3-106508-2	

OLD PN: V23529-A****-B****-*-7427

1) nach DIN 41652 T.2 und T.4 according to DIN 41652 p.2 and p.4

2 OBSOLETE PARTS: OBSOLETE CIS STREAMLINING PER D.RENAUD/D.SINISI

3 OBSOLETE

THIS DRAWING IS A CONTROLLED DOCUMENT. DIMENSIONING AND TOLERANCING PER ASME Y14.5M-2009		DWN GNANI JADAV A E	07JAN10	TE Connectivity	
DIMENSIONS: mm		CHK K.MALCZYK		NAME Buchsenleiste 90° Lötanschluss (Variant 2 und 3) ¹⁾	
TOLERANCES UNLESS OTHERWISE SPECIFIED: 0 PLC ± - 1 PLC ± - 2 PLC ± - 3 PLC ± - 4 PLC ± - ANGLES ± -		APVD K.MALCZYK		PRODUCT SPEC Socketconnector, 90° solderversion (Type 2 and 3) ¹⁾	
MATERIAL	FINISH	APPLICATION SPEC		SIZE A2	CAGE CODE 00779
		WEIGHT		DRAWING NO C=1393478-4	
CUSTOMER DRAWING			SCALE 2:1	SHEET 8 of 8	REV D