

# Customer Information Sheet

DRAWING No.: M80-PF5

IF IN DOUBT - ASK

©

NOT TO SCALE

THIRD ANGLE PROJECTION

ALL DIMENSIONS IN mm

**SPECIFICATIONS:**

**MATERIALS:**

BODY = COPPER ALLOY  
LATCHING COLLAR = BERYLLIUM COPPER

**FINISH:**

BODY = 0.76µ MIN GOLD OVER NICKEL  
LATCHING COLLAR = NICKEL

**ELECTRICAL:**

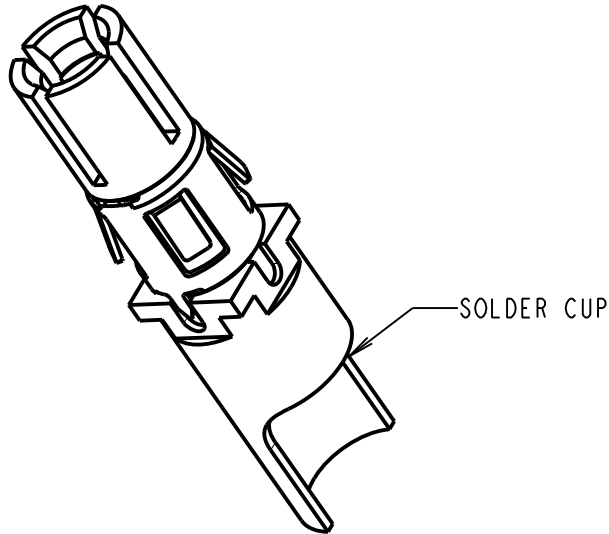
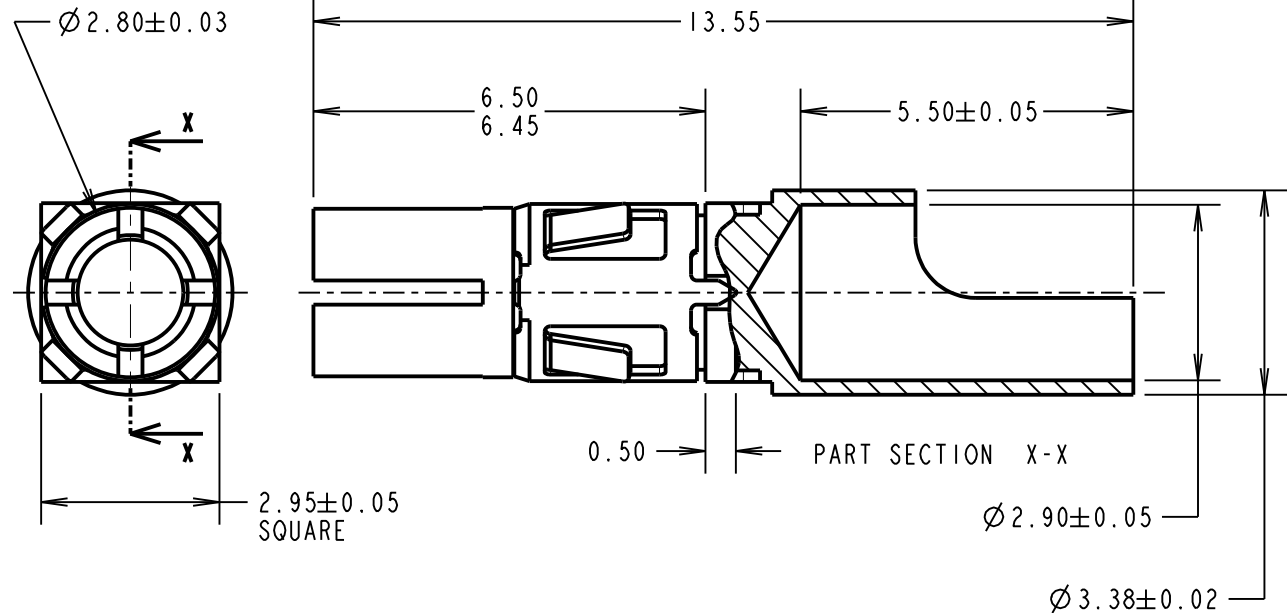
CONTACT RESISTANCE = 6mΩ MAX  
CURRENT RATING = 40A (CABLE DEPENDENT)

**MECHANICAL:**

DURABILITY = 500 OPERATIONS  
INSERTION FORCE = 15N MAX  
WITHDRAWAL FORCE = 0.5N MIN  
CONTACT REPLACEMENT IN INSULATOR = 5 TIMES

**ENVIRONMENTAL:**

TEMPERATURE RANGE = -55°C TO +150°C



**NOTES:**

1. STRIP WIRE BY 5.0mm.
2. CONTACT EXTRACTION TOOL = Z80-290.
3. FOR ALL OTHER ELECTRICAL/MECHANICAL REQUIREMENTS, SEE COMPONENT SPECIFICATION C005XX (LATEST ISSUE).
4. MAX WIRE CONDUCTOR SIZE = Ø2.9mm / 10 AWG (37/0.26).  
MAX WIRE INSULATION DIAMETER 3.8mm.

MSP	2	21.06.17	20598
NAME	ISS.	DATE	C/NOTE
APPROVED:		M.PERREN	
CHECKED:		S.BENNETT	
DRAWN:		MARK G PLESTED	
CUSTOMER REF.:			
ASSEMBLY DRG:			

**HARWIN**

www.harwin.com  
technical@harwin.com

THIS DRAWING AND ANY INFORMATION OR DESCRIPTIVE MATTER SET OUT HEREON ARE CONFIDENTIAL AND COPYRIGHT PROPERTY OF THE HARWIN GROUP AND MUST NOT BE DISCLOSED, LOANED, COPIED OR USED FOR MANUFACTURING, TENDERING OR FOR ANY OTHER PURPOSE WITHOUT THEIR WRITTEN PERMISSION.

**TOLERANCES**  
X. = ±1mm  
X.X = ±0.50mm  
X.XX = ±0.10mm  
X.XXX = ±0.01mm  
ANGLES = ±5°  
UNLESS STATED

**MATERIAL:**  
SEE ABOVE  
**FINISH:** SEE ABOVE  
**S/AREA:** mm<sup>2</sup>

**TITLE:** DATAMATE MIX-TEK  
HIGH POWER CONTACT  
FEMALE STRAIGHT SOLDER  
**DRAWING NUMBER:**  
**M80-PF5**

SHT  
2 OF 2