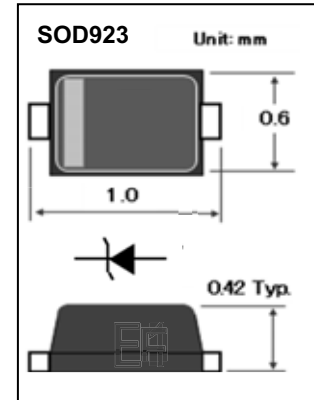


TVS / DATA SHEET

- ◇ Ultra Low Capacitance of Transient Voltage Suppressor
- ◇ ESD Protection, IEC61000-4-2 Level 4
- ◇ **SOD923** Micro SMD package
- ◇ RoHS compliant
- ◇ UL-94 V-0 / Green EMC
- ◇ Matte Tin Lead finish (Pb-Free)
- ◇ Cathode Band / Device marking

Device Marking Code

ESD5.0LM9	E2
------------------	-----------



Absolute Maximum Ratings (Ta = 25 °C)

Symbol	Parameter	Value	Units
$I_{PP *1}$	Maximum Reverse Peak Pulse Current	2	A
$V_{ESD-Air}$	ESD Voltage IEC61000-4-2 Air	± 15	kV
$V_{ESD-contact}$	ESD Voltage IEC61000-4-2 Contact	± 10	kV
T_J	Junction Temperature	125	°C
T_L	Lead Temperature	260	°C
T_{STG}	Storage Temperature	-55 to +150	°C
P_D	Power Dissipation	150	mW

*1 $t_p = 8/20 \mu s$

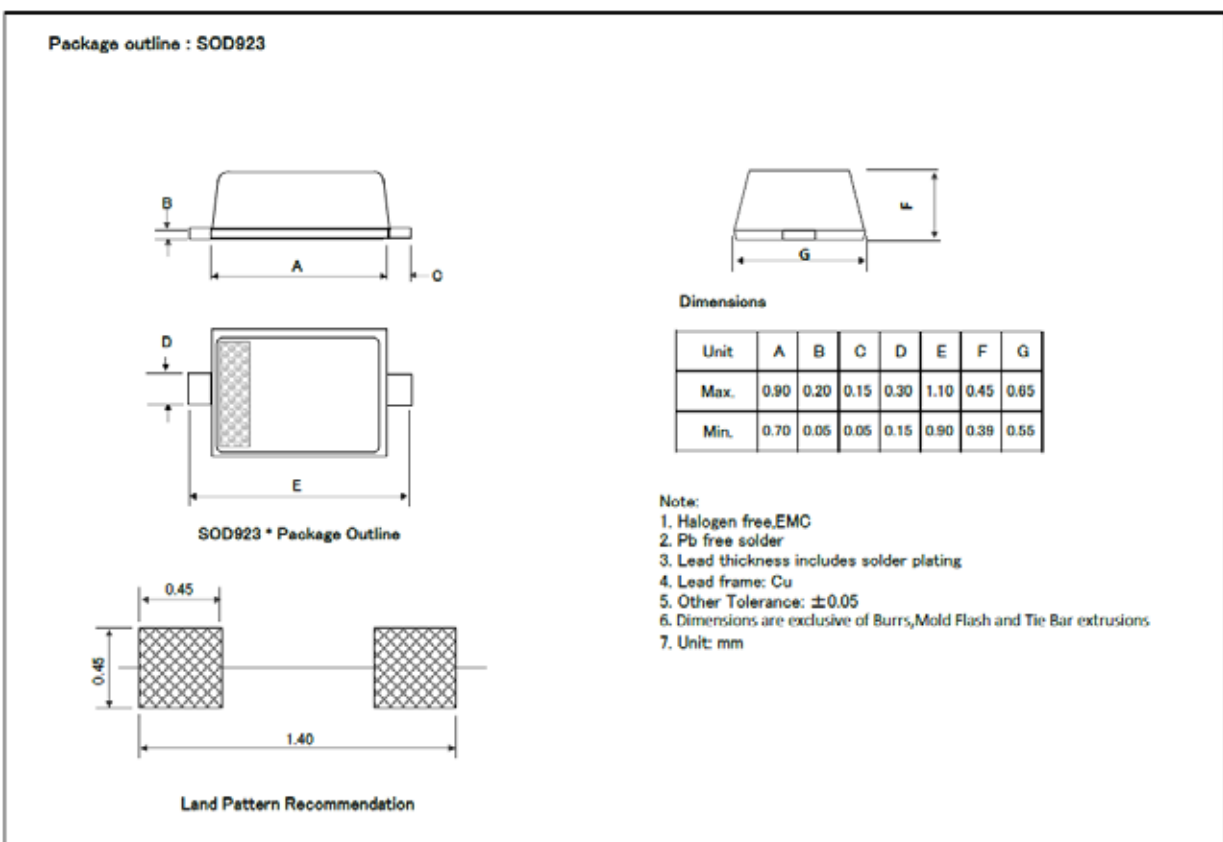
Electrical Characteristics (Ta = 25 °C)

Symbol	Parameter	Conditions	Min	Typ	Max	Units
V_{RWM}	Reverse Working Peak Voltage	-			5.0	V
V_{BR}	Reverse Breakdown Voltage	$I_T = 1mA$	6.0			V
I_R	Reverse Current	$V_{RWM} = 5V$			1.0	μA
V_C	Clamping Voltage	$I_{PP}=1A, t_p = 8/20 \mu s$			14	V
C_D	Diode Capacitance	$V_R = 0V, f = 1MHz$		0.6	0.9	pF

Ordering Information

Device	Package	Shipping	Tape wide	Emboss pitch	Tape specification	Package Code
ESD5.0LM9	SOD923	8,000 pcs / 7" Reel	8 mm	2 mm	Conductive	-T

Package Dimensions



DISCLAIMER NOTICE

Rectron Inc reserves the right to make changes without notice to any product specification herein, to make corrections, modifications, enhancements or other changes. Rectron Inc or anyone on its behalf assumes no responsibility or liability for any errors or inaccuracies. Data sheet specifications and its information contained are intended to provide a product description only. "Typical" parameters which may be included on RECTRON data sheets and/ or specifications can and do vary in different applications and actual performance may vary over time. Rectron Inc does not assume any liability arising out of the application or use of any product or circuit.

Rectron products are not designed, intended or authorized for use in medical, life-saving implant or other applications intended for life-sustaining or other related applications where a failure or malfunction of component or circuitry may directly or indirectly cause injury or threaten a life without expressed written approval of Rectron Inc. Customers using or selling Rectron components for use in such applications do so at their own risk and shall agree to fully indemnify Rectron Inc and its subsidiaries harmless against all claims, damages and expenditures.