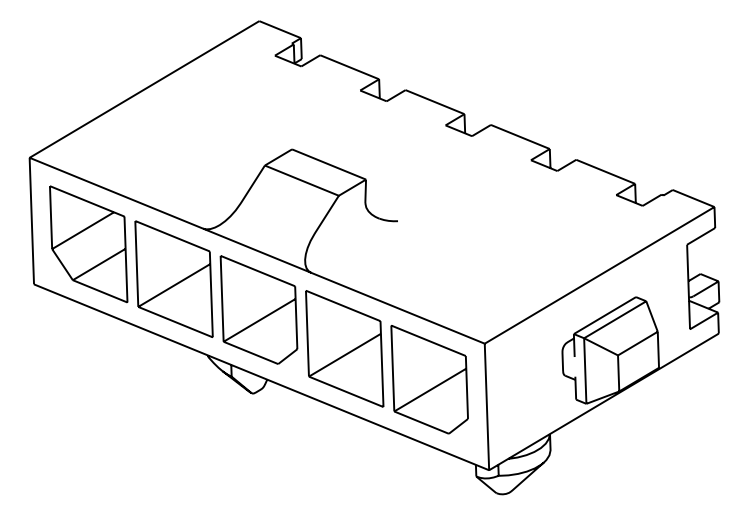
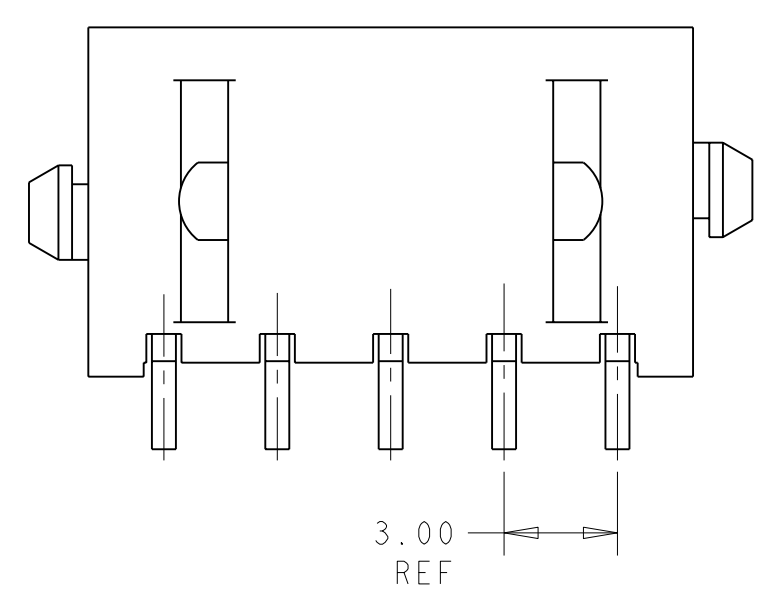
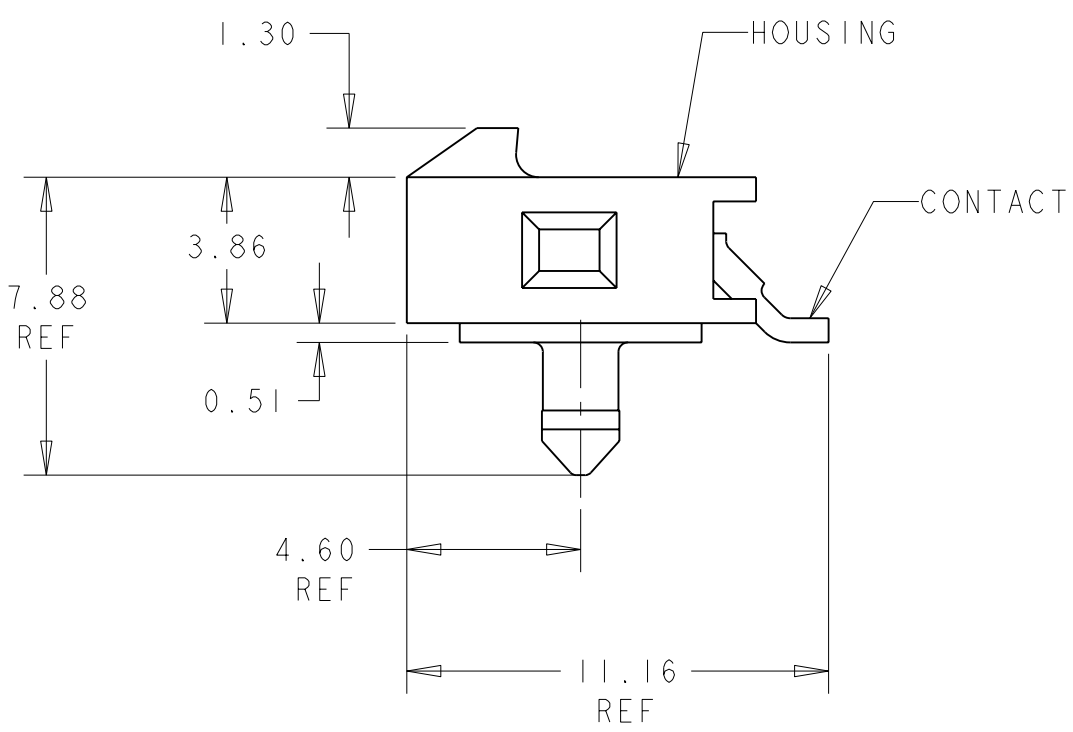
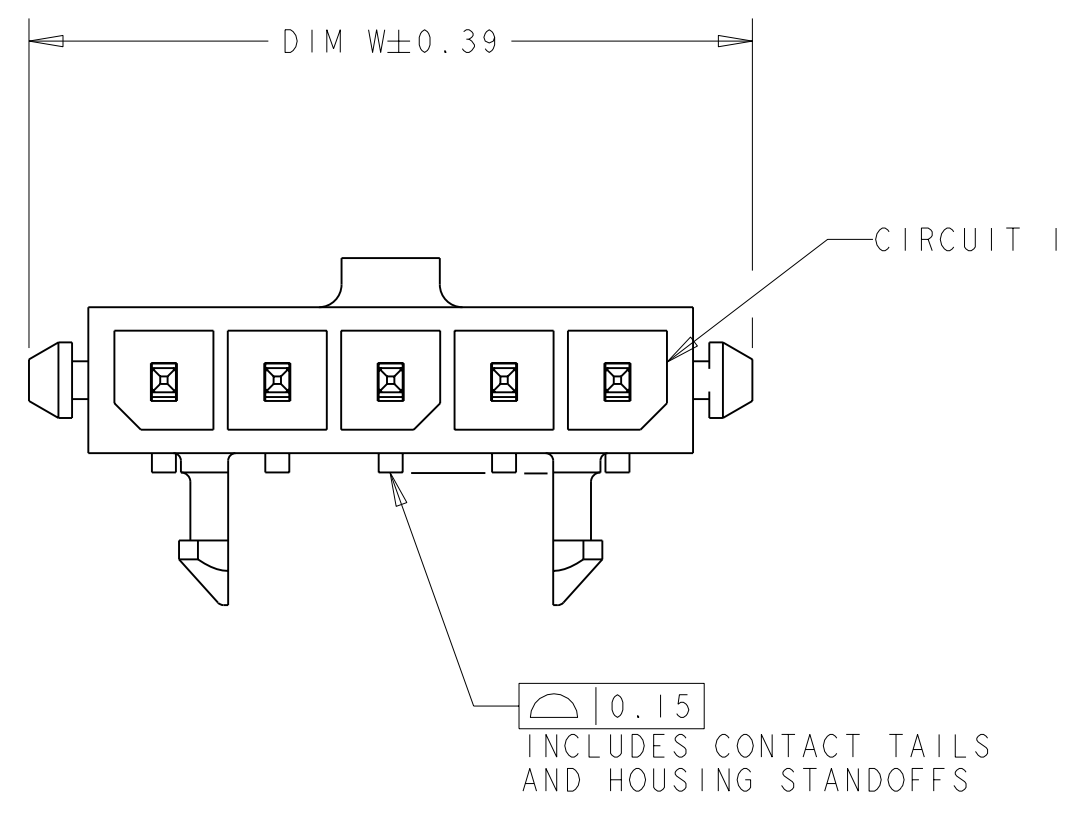


THIS DRAWING IS UNPUBLISHED. RELEASED FOR PUBLICATION .19
 © COPYRIGHT 19 BY AMP INCORPORATED. ALL RIGHTS RESERVED.

LOC		DIST		REVISIONS			
P	LTR	DESCRIPTION		DATE	DWN	APVD	
	B	REVISED PER 0G3B-0204-05		23APR05	KW	CJ	



- 1 MATERIAL: CONTACTS - BRASS
HOUSING - UL 94V-0 RATED HIGH TEMP NYLON, COLOR BLACK.
- 2 PLATING: CONTACTS - 2.54µm MINIMUM TIN-LEAD OVER 1.27µm MINIMUM NICKEL.
- 4 RECOMMENDED PC BOARD THICKNESS OF 1.57.
- 5 PLATING: CONTACTS - 2.54µm MINIMUM MATTE TIN OVER 1.27µm MINIMUM NICKEL.

FINISH	DIM Z	DIM V	DIM W	NO. OF POSN	PART NUMBER
5	33.00	28.70	40.00	12	3-1445058-2
5	30.00	25.70	37.00	11	3-1445058-1
5	27.00	22.70	34.00	10	3-1445058-0
5	24.00	19.70	31.00	9	2-1445058-9
5	21.00	16.70	28.00	8	2-1445058-8
5	18.00	13.70	25.00	7	2-1445058-7
5	15.00	10.70	22.00	6	2-1445058-6
5	12.00	7.70	19.00	5	2-1445058-5
5	9.00	4.70	16.00	4	2-1445058-4
5	-	-	13.00	3	2-1445058-3
5	-	-	10.00	2	2-1445058-2
2	33.00	28.70	40.00	12	1-1445058-2
2	30.00	25.70	37.00	11	1-1445058-1
2	27.00	22.70	34.00	10	1-1445058-0
2	24.00	19.70	31.00	9	1445058-9
2	21.00	16.70	28.00	8	1445058-8
2	18.00	13.70	25.00	7	1445058-7
2	15.00	10.70	22.00	6	1445058-6
2	12.00	7.70	19.00	5	1445058-5
2	9.00	4.70	16.00	4	1445058-4
2	-	-	13.00	3	1445058-3
2	-	-	10.00	2	1445058-2

METRIC

THIS DRAWING IS A CONTROLLED DOCUMENT FOR AMP INCORPORATED. IT IS SUBJECT TO CHANGE AND THE CONTROLLING ENGINEERING ORGANIZATION SHOULD BE CONTACTED FOR THE LATEST REVISION.

DWN J. ROOT 02OCT2000
 CHR K. WHITAKER 13-MAR-2001
 APVD K. WHITAKER 13-MAR-2001

AMP Tyco Electronics
 Harrisburg, PA 17105-3608

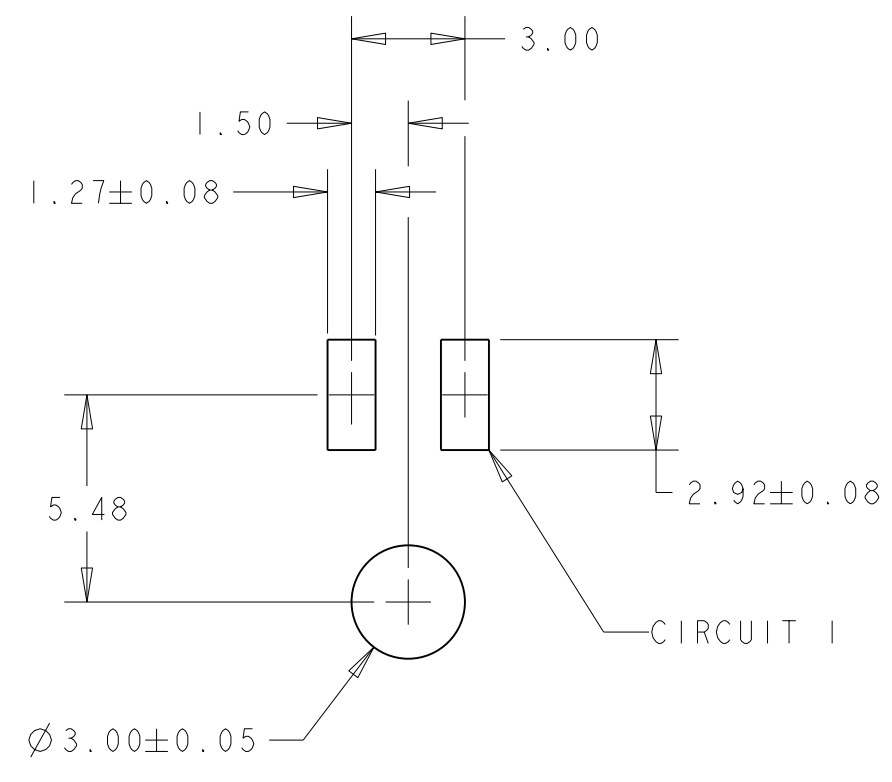
NAME RT ANGLE SURFACE MOUNT HEADER ASSY, TIN CONTACTS W/PLASTIC HOLDDOWNS, SINGLE ROW, MICRO MATE-N-LOK™

SIZE A2 CAGE CODE 00779 DRAWING NO. C=1445058

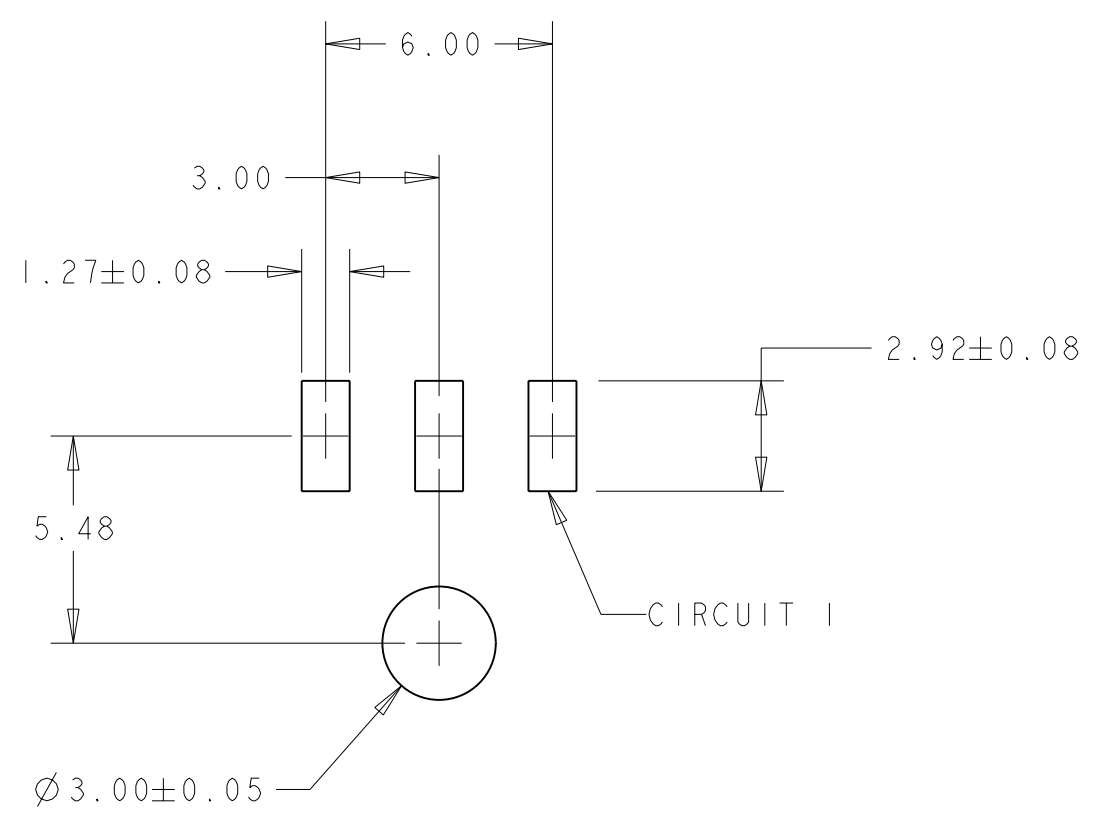
MATERIAL - 1 FINISH SEE TABLE WEIGHT - CUSTOMER DRAWING SCALE 5:1 SHEET 1 OF 2 REV B

THIS DRAWING IS UNPUBLISHED. RELEASED FOR PUBLICATION .19
 BY AMP INCORPORATED. ALL RIGHTS RESERVED.

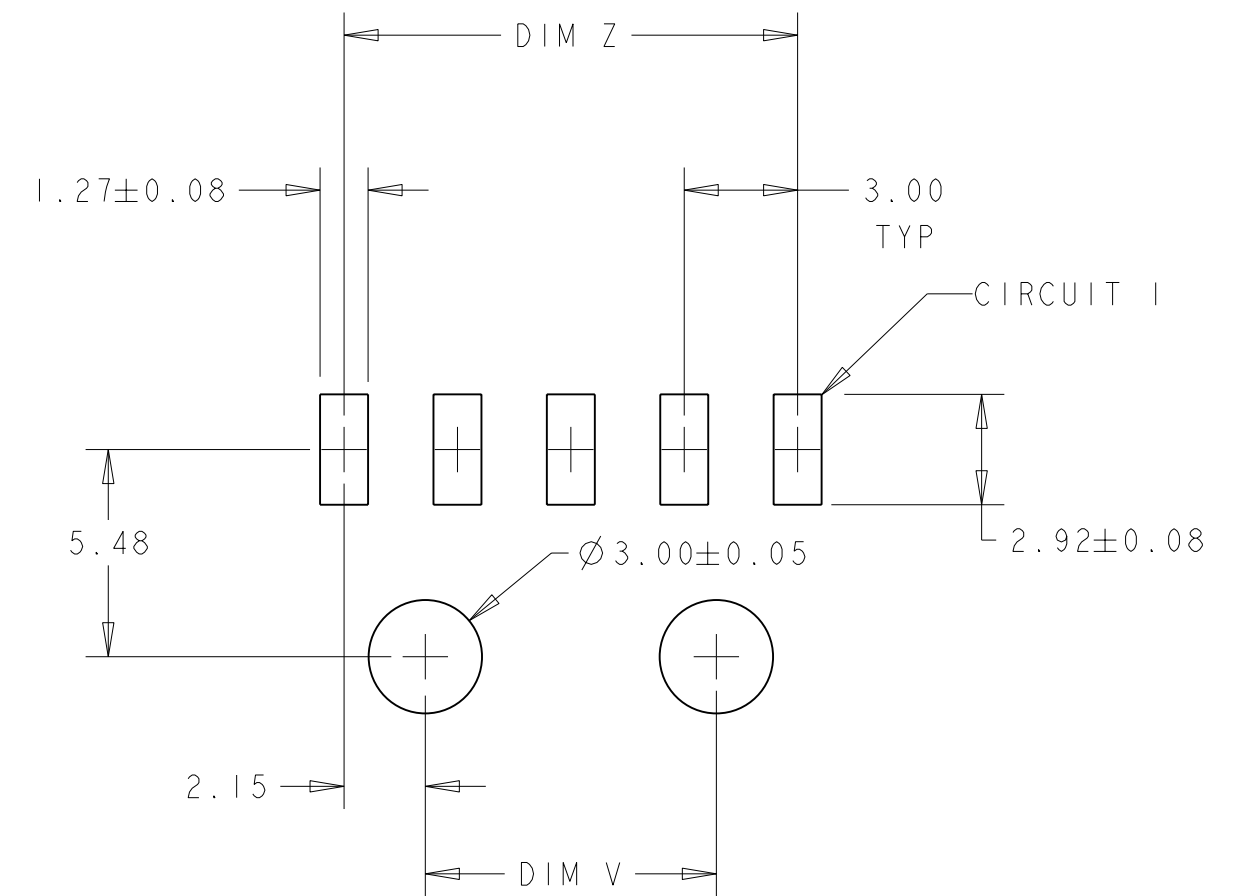
LOC	DIST	REVISIONS			
P	LTR	DESCRIPTION	DATE	DWN	APVD
CM	00	SEE SHEET 1	-	-	-



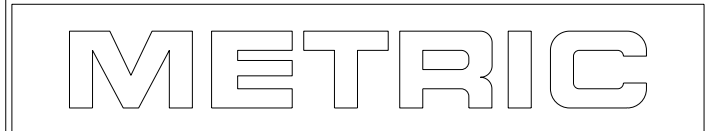
PCB LAYOUT FOR 2 POSITION COMPONENT SIDE



PCB LAYOUT FOR 3 POSITION COMPONENT SIDE



PCB LAYOUT FOR 4-12 POSITION COMPONENT SIDE



THIS DRAWING IS A CONTROLLED DOCUMENT FOR AMP INCORPORATED. IT IS SUBJECT TO CHANGE AND THE CONTROLLING ENGINEERING ORGANIZATION SHOULD BE CONTACTED FOR THE LATEST REVISION.		DWN J. ROOT 02OCT2000	AMP Tyco Electronics Harrisburg, PA 17105-3608	
DIMENSIONS: mm	TOLERANCES UNLESS OTHERWISE SPECIFIED:	CHR K. WHITAKER	NAME RT ANGLE SURFACE MOUNT HEADER ASSY, TIN CONTACTS W/PLASTIC HOLDDOWNS, SINGLE ROW, MICRO MATE-N-LOK™	
0 PLC ±	1 PLC ±	APVD K. WHITAKER	PRODUCT SPEC	
2 PLC ±0.13	3 PLC ±	APPLICATION SPEC	SIZE A2	
4 PLC ±	ANGLES ±	FINISH	CAGE CODE 00779	
MATERIAL	SEE TABLE	WEIGHT	DRAWING NO. C=1445058	
CUSTOMER DRAWING			SCALE 5:1	SHEET 2 OF 2