

PLEASE CHECK WWW.MOLEX.COM FOR LATEST PART INFORMATION

Part Number: [0358962010](#)
Status: **Active**
Description: 1.02/2.28mm (.040/.090") Tab, Hybrid Wire-to-Wire Housing, Female, 20 Circuits

Documents:

[3D Model](#) [RoHS Certificate of Compliance \(PDF\)](#)
[Drawing \(PDF\)](#)

General

Product Family Crimp Housings
 Series [35896](#)
 Product Name N/A

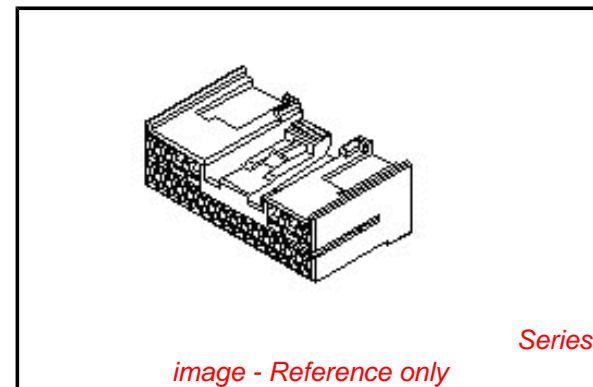
Physical

Circuits (maximum) 20
 Color - Resin Natural, Yellow
 Gender Female
 Glow-Wire Compliant No
 Material - Resin Polyester
 Number of Rows 2
 Packaging Type Bag
 Panel Mount Yes
 Pitch - Mating Interface (in) 0.098 In
 Pitch - Mating Interface (mm) 2.50 mm
 Stackable No
 Temperature Range - Operating -40°C to +80°C

Material Info

Reference - Drawing Numbers

Sales Drawing SD-35896-008



EU RoHS

ELV and RoHS Compliant
REACH SVHC
 Not Reviewed
Halogen-Free Status

China RoHS



Need more information on product environmental compliance?

Email productcompliance@molex.com
 For a multiple part number RoHS Certificate of Compliance, [click here](#)

Please visit the [Contact Us](#) section for any non-product compliance questions.

Search Parts in this Series

[35896Series](#)

Mates With

[35897](#)

Use With

[50654](#) , [50660](#)

DO NOT SCALE DRAWING DIMENSION IN METRIC

DWG. NO. SD-35896-008

SIMILAR ITEM

PROJECT NO.

C

B

8

7

6

5

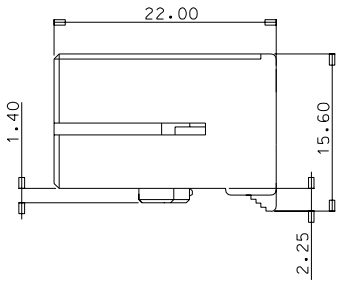
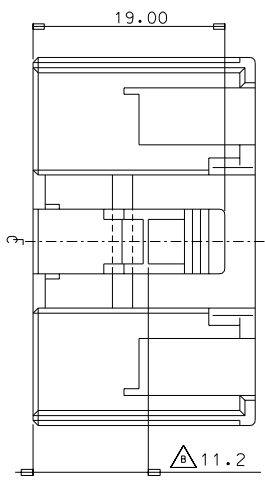
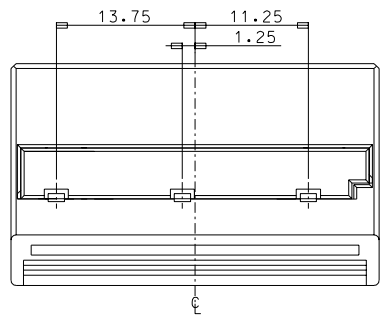
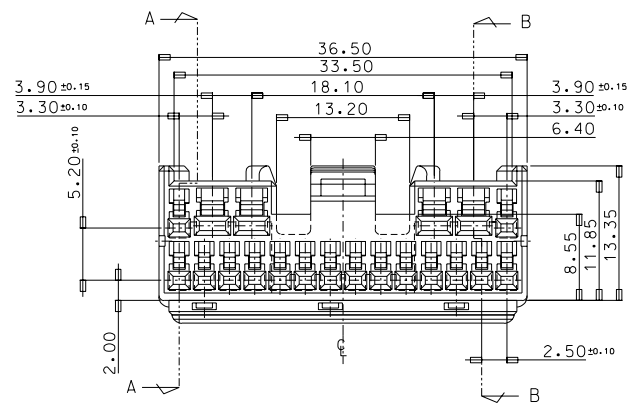
4

3

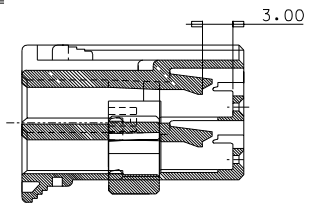
2

1

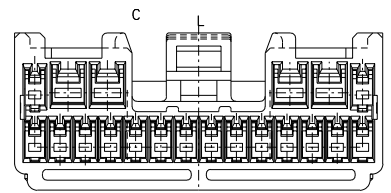
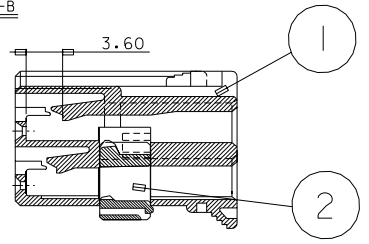
NO.	PART NO.	PART NAME	MATERIAL	REMARK
1	35896-2090	.040/090 F/HSG 20P	POLYESTER	WHITE
2	35896-2083	.040/090 FEMALE TPA 20P	POLYESTER	YELLOW



SECTION A-A



SECTION B-B



NOTE

- 1. MATERIAL & FINISH: SEE TABLE
- 2. APPLICATION: .040/090 MALE HOUSING ASS'Y 20P(ENG. NO.:35897-2010)

RELEASE TO MANUFACTURING EC NO.: KOR2002-0139 DRWN: H.C.RHO 02/06/25 CHK: B.K.CHOI 02/06/25 APPR: C.W.LEE 02/06/25	QUALITY SYMBOLS MAJOR = CRITICAL =	GENERAL TOLERANCES: (UNLESS SPECIFIED) mm INCH		SCALE 2:1 DESIGN UNITS <input checked="" type="checkbox"/> mm <input type="checkbox"/> INCH	THIRD ANGLE PROJECTION	DIMENSIONS: <input type="checkbox"/> mm <input type="checkbox"/> INCH <input checked="" type="checkbox"/> mm ONLY	SHT REV REVISE ON CAD ONLY	
		4 PLACES ±0. ±.	DRAWN BY & DATE 00/09/30 H.C.RHO	TITLE: .040/090 FEMALE HOUSING ASS'Y 20P				
		3 PLACES ±0. ±.	CHECKED BY & DATE 00/09/30 B.K.CHOI					
		2 PLACES ±0.2 ±.	APPROVED BY & DATE 00/09/30 C.W.LEE	MOLEX MOLEX INCORPORATED				
1 PLACE ±0.3 ±.	CAD FILENAME 49FHA20	MATERIAL NO. SEE CHART	DRAWING NO. SD-35896-008				SHEET NO. 1 OF 1	
B	REV	DRAFT WHERE APPLICABLE MUST REMAIN WITHIN DIMENSIONS				THIS DRAWING CONTAINS INFORMATION THAT IS PROPRIETARY TO MOLEX INCORPORATED AND SHOULD NOT BE USED WITHOUT WRITTEN PERMISSION.		SIZE B

8

7

6

5

4

3

2

MX-A3