

PLEASE CHECK WWW.MOLEX.COM FOR LATEST PART INFORMATION

Part Number: [1300660255](#)
Status: **Active**
Overview: Brad® Quick-Change® Connectors
Description: Quick-Change® Brad® Power Receptacle, 3 Poles, Male, 1/2" - 14 NPT, 10/1 AWG, 0.50M (1.64') Length

Documents:

[Drawing \(PDF\)](#) [RoHS Certificate of Compliance \(PDF\)](#)

Agency Certification

UL E258922

General

Product Family Industrial Receptacles
 Series [130066](#)
 IP Rating IP67
 Overview [Brad® Quick-Change® Connectors](#)
 Product Name Quick-Change®
 Type Single Ended (pigtail)
 UPC 78172512529

Physical

Coupling Type External Thread
 Gender Male
 Keyway Single
 Length 0.50m
 Material - Component Gray Anodized Aluminum
 Mounting Thread Size 1/2" - 14 NPT
 Orientation Straight
 Panel Mount Front
 Poles 3
 Temperature Range - Operating -20°C to +90°C
 Wire Size AWG 10
 Wire/Cable Type THHN

Electrical

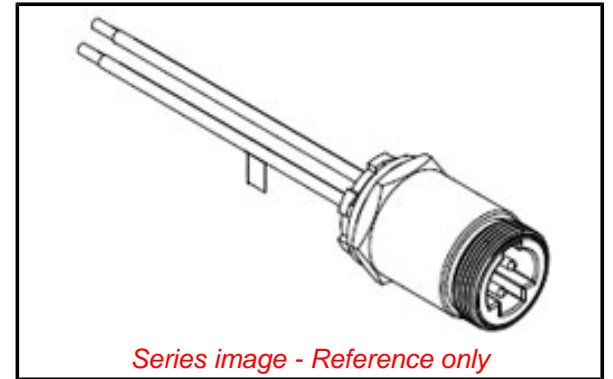
Current - Maximum per Contact 30.0A
 Voltage - Maximum 600V

Material Info

Old Part Number CR3006A30M005

Reference - Drawing Numbers

Sales Drawing SD-130066-058



Series image - Reference only

EU ELV

Not Relevant

EU RoHS

Not Reviewed

REACH SVHC

Not Reviewed

Halogen-Free

Status

Not Reviewed

Need more information on product environmental compliance?

Email productcompliance@molex.com
 Please visit the [Contact Us](#) section for any non-product compliance questions.

China ROHS

Not Relevant

ELV

Not Relevant

Search Parts in this Series

[130066 Series](#)