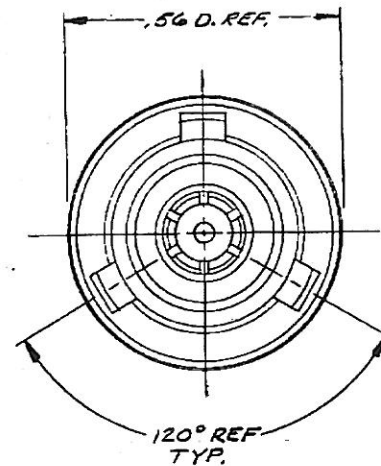
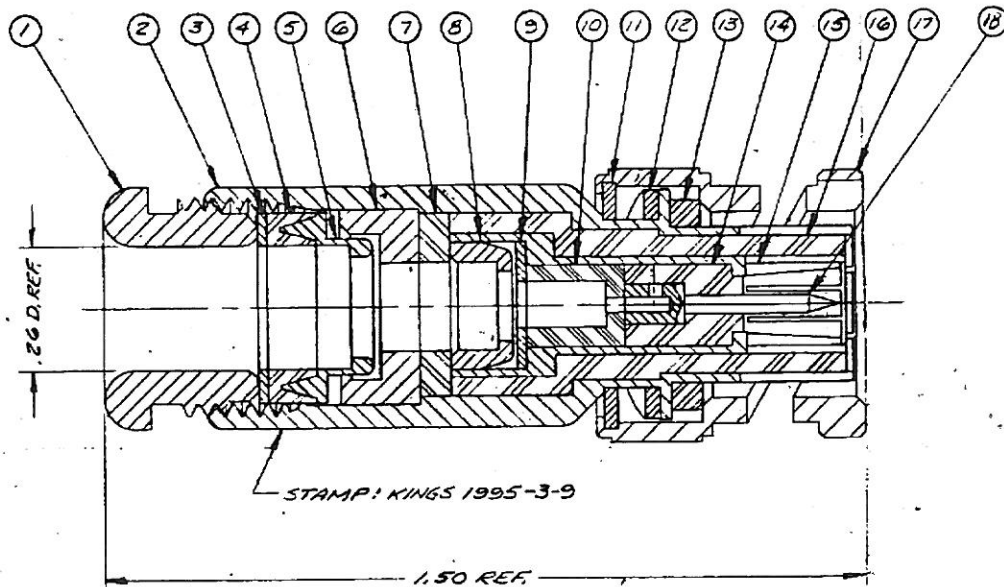


DASH NO.	DESCRIPTION	MADE FROM
----------	-------------	-----------



NOTES:

1. FOR USE WITH .M17/134-00001 OR TIMES TRF-58 CABLE.
2. FOR CABLING INSTRUCTIONS SEE CP-1303.

UNLESS OTHERWISE SPECIFIED:

- | | |
|---|---|
| <ol style="list-style-type: none"> 1. TOLERANCES: FRACTIONS & 2 PLACE DECIMALS ± .010 3 PLACE DECIMALS ± .004 T. I. R. CONCENTRICITY OF ANY 2 DIAMETERS MAY NOT EXCEED HALF THE SUM OF THEIR TOLERANCES. | <ol style="list-style-type: none"> 2. REMOVE ALL BURRS. BREAK SHARP EDGES .005 MAX. 3. NO FILLETS PERMITTED. 4. SURFACE ROUGHNESS 63 MICROINCHES RMS MAX. 5. ALL DIMENSIONS PRIOR TO PLATING. |
|---|---|

1995-3-9 S-D
 (SHEET 1 OF 2)

REVISIONS	
ISSUE	CHANGE
0	ER 21459 MJB 9 JAN 81
1	CN 21774 D KOR 27 MAR 81
2	CN 28495 D AJ 11 DEC 86
3	CN 31416 A JCA 6 FEB 90
4	CN 34639 C 17 MAY 93

S-D

USED ON:
REF:
FINISH:
SPEC:
MATL:
SPEC:

BNC TRIAXIAL
PLUG (3 STUD)


DRAWN MJB	DATE 20 NOV 79
APPR. GA	DATE 8 JAN 81

KINGS ELECTRONICS
40 HARBORDALE ROAD
TUCKAHOE, N.Y. 10707

1995-3-9 S-D

(SHEET 1 OF 2)

ITEM	REQ'D	DESCRIPTION	PART NO.
------	-------	-------------	----------

ITEM	REQ'D	DESCRIPTION	PART NO	1995-3-9 (SHEET 2 OF 2)																	
1	1	CLAMP NUT	631-4-M06	S-D REVISIONS <table border="1"> <thead> <tr> <th>ISSUE</th> <th>CHANGES</th> </tr> </thead> <tbody> <tr> <td>0</td> <td>ER 21459 MJB 9 JAN 81</td> </tr> <tr> <td>1</td> <td>CN 21774 D KOR 27 MAR 81</td> </tr> <tr> <td>2</td> <td>CN 28495 D AJ 11 DEC 86</td> </tr> <tr> <td>3</td> <td>CN 31416 A JCA 6 FEB 90</td> </tr> <tr> <td>4</td> <td>CN 34639 C KH 17 MAY 93</td> </tr> </tbody> </table> USED ON REF FINISH SPEC. KER 10004 PARTS LIST <table border="1"> <tr> <td>DRAWN RGH</td> <td>DATE 30 DEC 80</td> </tr> <tr> <td>APP <i>ALS</i></td> <td>DATE 31 DEC 80</td> </tr> </table>  1995-3-9 (SHEET 2 OF 2) S-D		ISSUE	CHANGES	0	ER 21459 MJB 9 JAN 81	1	CN 21774 D KOR 27 MAR 81	2	CN 28495 D AJ 11 DEC 86	3	CN 31416 A JCA 6 FEB 90	4	CN 34639 C KH 17 MAY 93	DRAWN RGH	DATE 30 DEC 80	APP <i>ALS</i>	DATE 31 DEC 80
ISSUE	CHANGES																				
0	ER 21459 MJB 9 JAN 81																				
1	CN 21774 D KOR 27 MAR 81																				
2	CN 28495 D AJ 11 DEC 86																				
3	CN 31416 A JCA 6 FEB 90																				
4	CN 34639 C KH 17 MAY 93																				
DRAWN RGH	DATE 30 DEC 80																				
APP <i>ALS</i>	DATE 31 DEC 80																				
2	1	BODY																			
3	1	WASHER	260C-1-M06																		
4	1	GASKET	631-6-M99																		
5	1	BRAID CLAMP	631-5-M06																		
6	1	RETAINER	1-1119-3M06																		
7	1	INSULATOR	1-1118-2M99																		
8	1	BRAID CLAMP	1-1117-2M06																		
9	1	WASHER	C-19-112-12-M06																		
10	1	INSULATOR	1-2795-1M99																		
11	1	CAM LEVER																			
12	1	SPRING WASHER																			
13	1	GASKET																			
14	1	INSULATOR	1-2796-1M99																		
15	1	OUTER CONTACT	C-59-166-7-MA9																		
16	1	INSULATOR	C-59-166-8-M99																		
17	1	BAYONET SLEEVE																			
18	1	BNC TRIAX CONTACT M	1-4896-3MA9																		