

**PLEASE CHECK WWW.MOLEX.COM FOR LATEST PART INFORMATION**

**Part Number:** [0367180001](#)  
**Status:** **Active**  
**Overview:** [din\\_41612](#)  
**Description:** 2.54mm (.100") Pitch DIN 41612 Receptacle, Style R, Female, Right Angle, Through Hole, 0.60µm (24µ") Selective Gold (Au), PC Tail Length 3.00mm (.118"), 64 Circuits

**Documents:**

[Drawing \(PDF\)](#) [RoHS Certificate of Compliance \(PDF\)](#)  
[Product Specification PS-36509-001 \(PDF\)](#)

**General**

|                |                                      |
|----------------|--------------------------------------|
| Product Family | Backplane Connectors                 |
| Series         | <a href="#">36718</a>                |
| Application    | Daughtercard                         |
| Comments       | No Mounting Clip. With Sealing Strip |
| Component Type | PCB Receptacle                       |
| Overview       | <a href="#">din_41612</a>            |
| Product Name   | IEC 603-2/DIN 41612                  |
| Style          | R                                    |

**Physical**

|                                |                  |
|--------------------------------|------------------|
| Circuits (Loaded)              | 64               |
| Circuits (maximum)             | 64               |
| Circuits Detail                | 1,2,3,...32; a+c |
| Color - Resin                  | Gray             |
| Durability (mating cycles max) | 400              |
| First Mate / Last Break        | No               |
| Guide to Mating Part           | No               |
| Keying to Mating Part          | Yes              |
| Material - Metal               | Phosphor Bronze  |
| Material - Plating Mating      | Gold             |
| Material - Plating Termination | Tin              |
| Material - Resin               | Polyester        |
| Number of Columns              | 32               |
| Number of Pairs                | Open Pin Field   |
| Number of Rows                 | 2                |
| Orientation                    | Right Angle      |
| PC Tail Length (in)            | 0.118 In         |
| PC Tail Length (mm)            | 3.00 mm          |
| PCB Locator                    | No               |
| PCB Retention                  | Yes              |
| PCB Thickness Recommended (in) | 0.063 In         |
| PCB Thickness Recommended (mm) | 1.60 mm          |
| Packaging Type                 | Carton           |
| Pitch - Mating Interface (in)  | 0.100 In         |
| Pitch - Mating Interface (mm)  | 2.54 mm          |
| Pitch - Term. Interface (in)   | 0.100 In         |
| Pitch - Term. Interface (mm)   | 2.54 mm          |
| Plating min: Mating (µin)      | 24               |
| Plating min: Mating (µm)       | 0.60             |
| Polarized to PCB               | Yes              |
| Stackable                      | No               |
| Surface Mount Compatible (SMC) | No               |
| Temperature Range - Operating  | -55°C to +125°C  |
| Termination Interface: Style   | Through Hole     |

**EU RoHS** **China RoHS**

**Compliance Status**

**Not Reviewed**

**REACH SVHC**

**Not Reviewed**

**Halogen-Free**

**Status**

**Not Reviewed**

**Need more information on product environmental compliance?**

Email [productcompliance@molex.com](mailto:productcompliance@molex.com)  
 For a multiple part number RoHS Certificate of Compliance, [click here](#)

Please visit the [Contact Us](#) section for any non-product compliance questions.

**Search Parts in this Series**

[36718Series](#)

**Electrical**

|                               |             |
|-------------------------------|-------------|
| Current - Maximum per Contact | 1A          |
| Data Rate                     | 622.0 Mbps  |
| Voltage - Maximum             | 1000V (RMS) |

**Material Info**

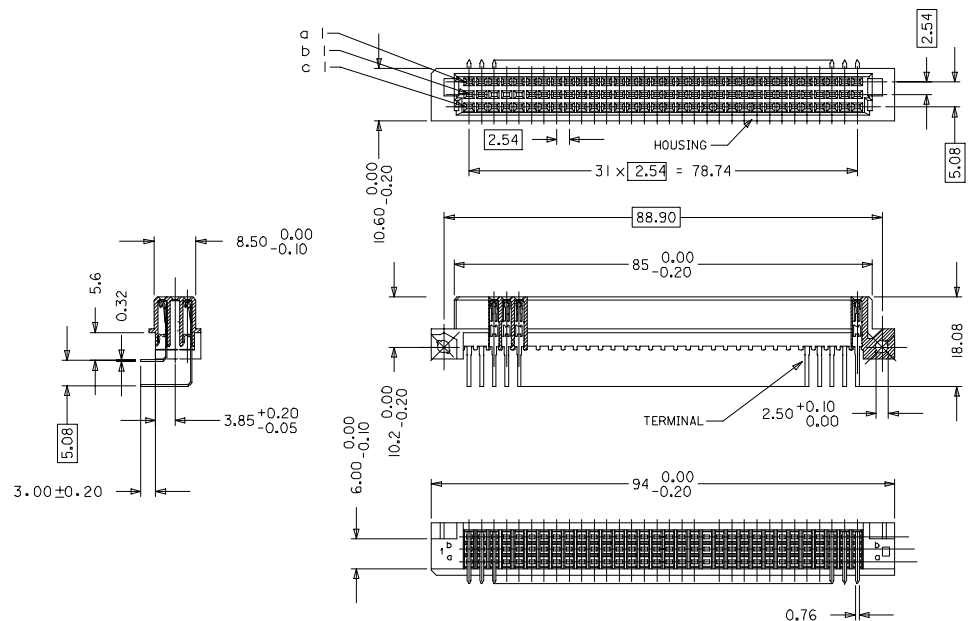
|                 |                 |
|-----------------|-----------------|
| Old Part Number | MMB2500R963-101 |
|-----------------|-----------------|

**Reference - Drawing Numbers**

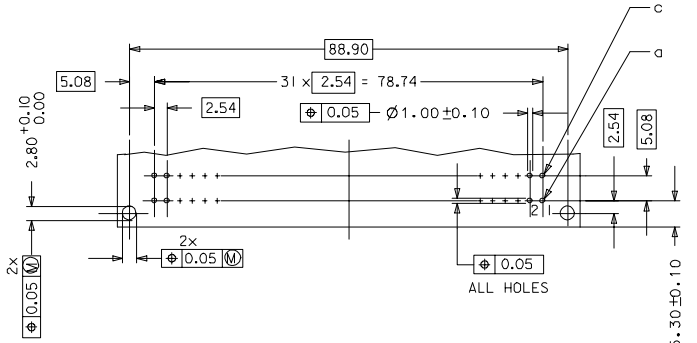
|                       |              |
|-----------------------|--------------|
| Product Specification | PS-36509-001 |
| Sales Drawing         | SD-36718-001 |

This document was generated on 05/13/2010

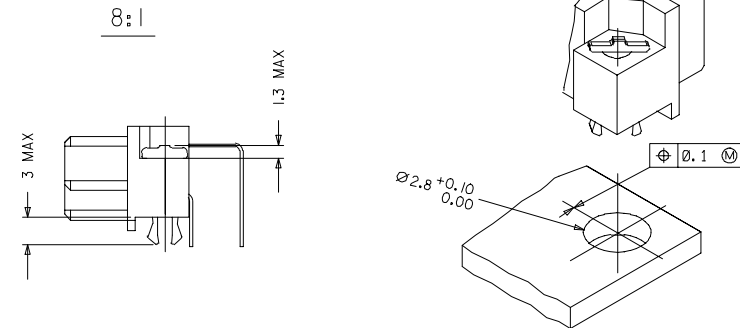
**PLEASE CHECK [WWW.MOLEX.COM](http://WWW.MOLEX.COM) FOR LATEST PART INFORMATION**



RECOMMENDED PCB LAYOUT  
COMPONENT SIDE



WITH MOUNTING CLIPS

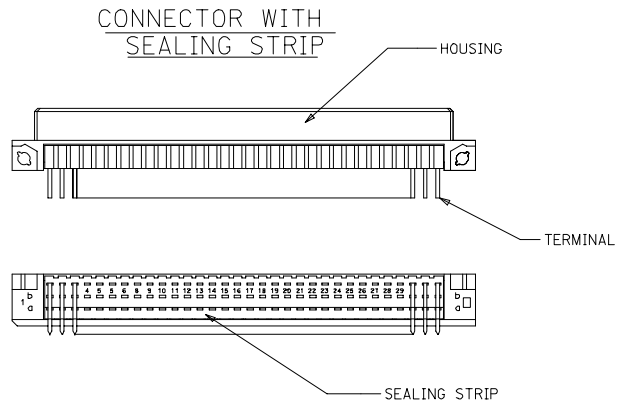


- NOTES:
- MATERIALS: THERMOPLASTIC POLYESTER, GLASS FILLED, UL94V-0, COLOUR: PEBBLE GREY RAL 7032  
TERMINAL - PHOSPHOR BRONZE  
MOUNTING CLIP: STEEL
  - FINISH: TERMINAL:-  
CONTACT AREA  
1. PERFORMANCE LEVEL 1: SELECTIVE GOLD (Au), THICKNESS = 1.1 MICROMETER OVER NICKEL, THICKNESS = 15 MICROMETER  
2. PERFORMANCE LEVEL 2: SELECTIVE GOLD (Au), THICKNESS = 0.6 MICROMETER OVER NICKEL, THICKNESS = 15 MICROMETER  
3. PERFORMANCE LEVEL 3: SELECTIVE GOLD (Au), THICKNESS = 0.3 MICROMETER OVER NICKEL, THICKNESS = 15 MICROMETER  
TERMINATION AREA: SELECTIVE TIN, THICKNESS = 2.5 MICROMETER OVER NICKEL, THICKNESS = 15 MICROMETER OVERALL
  - MOUNTING CLIP:-  
TIN (Sn), THICKNESS = 5-10 MICROMETER,  
OVER NICKEL (Ni), THICKNESS = 2.5 MICROMETER
  - FOR NON MOUNTING CLIP OPTION, CONNECTOR TO BE SECURED WITH RIVETS: 2 TUBULAR RIVETS 2.5 x 0.3 ... DIN 7340  
SCREWS: CHEESEHEAD SCREWS M2.5 x ... DIN 84 AND 2 HEXAGONAL NUTS M 2.5 DIN 934
  - MATERIAL No, BATCH CODE, UL AND CSA MARKING TO BE PRINTED ON CONNECTOR
  - CUT FACE OF TIP WITHOUT PLATING PERMITTED
  - PRODUCT SPECIFICATION : PS-36509-001

RoHS COMPLIANT

|  |                                      |   |   |                                   |                     |   |                        |
|--|--------------------------------------|---|---|-----------------------------------|---------------------|---|------------------------|
| <b>ENTER DESCRIPTION</b><br>ELC.MC.12007.0364, 2007/03/14<br>DRWNGSATTI/MARAD 2007/03/16<br>CHKD/KPRASAD 2007/03/16<br>APPR/KPRASAD 2007/03/16 | <b>QUALITY SYMBOLS</b><br>▽=0<br>▽=0 | <b>GENERAL TOLERANCES (UNLESS SPECIFIED)</b>  |   | <b>DIMENSION STYLE</b><br>MM ONLY | <b>SCALE</b><br>2:1 | <b>DESIGN UNITS</b><br>METRIC   | THIRD ANGLE PROJECTION |
|  |                                      | 4 PLACES ± 0.05 ± 0.05<br>3 PLACES ± 0.05 ± 0.05<br>2 PLACES ± 0.05 ± 0.05<br>1 PLACE ± 0.1 ± 0.1 | mm INCH<br>± 0.15 ± 0.005<br>± 0.25 ± 0.01<br>± 0.50 ± 0.02 | DRAWN BY<br>SHANKAR 2007/03/14    | DATE<br>2007/03/14  | TITLE<br>ASSY DIN41612 R FEMALE<br>A+C LOADED 64 POS<br>CDOT PART   | MOLEX INCORPORATED     |
| DRAFT WHERE APPLICABLE MUST REMAIN WITHIN DIMENSIONS   | SEE SHEET 2                          | MATERIAL NO.<br>SD-36718-001  | DOCUMENT NO.<br>SD-36718-001                                | SHEET NO.<br>1 OF 2               |                     | THIS DRAWING CONTAINS INFORMATION THAT IS PROPRIETARY TO MOLEX INCORPORATED AND SHOULD NOT BE USED WITHOUT WRITTEN PERMISSION |                        |

|             |                   |                  |            |         |                      |               |               |    |    |    |   |   |   |   |   |   |   |   |   |
|-------------|-------------------|------------------|------------|---------|----------------------|---------------|---------------|----|----|----|---|---|---|---|---|---|---|---|---|
| 20          | 19                | 18               | 17         | 16      | 15                   | 14            | 13            | 12 | 11 | 10 | 9 | 8 | 7 | 6 | 5 | 4 | 3 | 2 | 1 |
| MATERIAL No | MOLEX ENG No      | CDOT PART NO.    | PERF LEVEL | PLATING | CONTACT SEQUENCE/ROW | MOUNTING CLIP | SEALING STRIP |    |    |    |   |   |   |   |   |   |   |   |   |
| 36718-0001  | MM-B2500-R963-101 | MCC-EURVF000-302 | 2          | Au+Ni   | 1,2,3....32 a+c      | NO            | YES           |    |    |    |   |   |   |   |   |   |   |   |   |



RoHS COMPLIANT

|  |                                      |  |            |                                   |                    |   |                        |                              |                     |
|--|--------------------------------------|--|------------|-----------------------------------|--------------------|---|------------------------|------------------------------|---------------------|
| <b>ENTER DESCRIPTION</b><br>ELC.MC.12007.02664_2007/03/14<br>DRWNGSATTI/MARAD 2007/03/14<br>CHKD/KPRASAD 2007/03/16<br>APPR/KPRASAD 2007/03/16 | <b>QUALITY SYMBOLS</b><br>▽=0<br>▽=0 | <b>GENERAL TOLERANCES (UNLESS SPECIFIED)</b>   |            | <b>DIMENSION STYLE</b><br>MM ONLY |                    | SCALE<br>2:1  | DESIGN UNITS<br>METRIC | THIRD ANGLE PROJECTION       |                     |
|  |                                      | 4 PLACES ± 0.15 ± 0.005<br>3 PLACES ± 0.005 ± 0.005<br>2 PLACES ± 0.05 ± 0.05<br>1 PLACE ± 0.1 ± 0.1 | mm<br>INCH | DRAWN BY<br>SHANKAR               | DATE<br>2007/03/14 | TITLE<br>ASSY DIN41612 R FEMALE<br>A+C LOADED 64 POS<br>CDOT PART |                        |                              |                     |
|  |                                      | ANGULAR ± 2°   |            | CHECKED BY<br>KPRASAD             | DATE<br>2007/03/14 | APPROVED BY<br>KPRASAD  |                        |                              |                     |
|  |                                      | DRAFT WHERE APPLICABLE MUST REMAIN WITHIN DIMENSIONS   |            | MATERIAL NO.<br>SEE CHART         | DATE<br>2007/03/14 | MOLEX INCORPORATED  |                        | DOCUMENT NO.<br>SD-36718-001 | SHEET NO.<br>2 OF 2 |