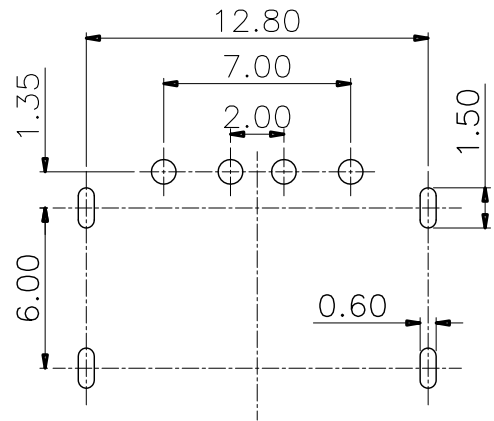
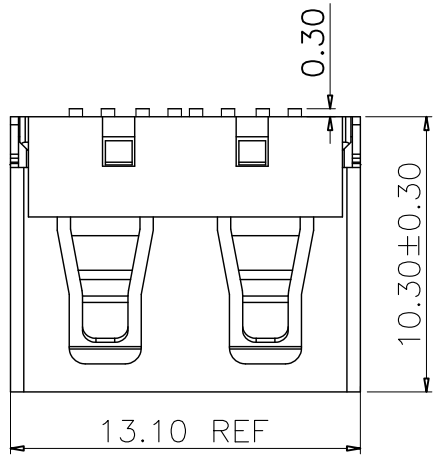


MAPX	MODIFICATION	DATE



NOTES:

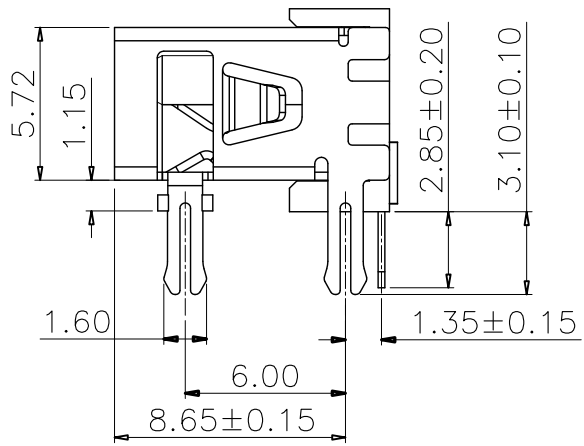
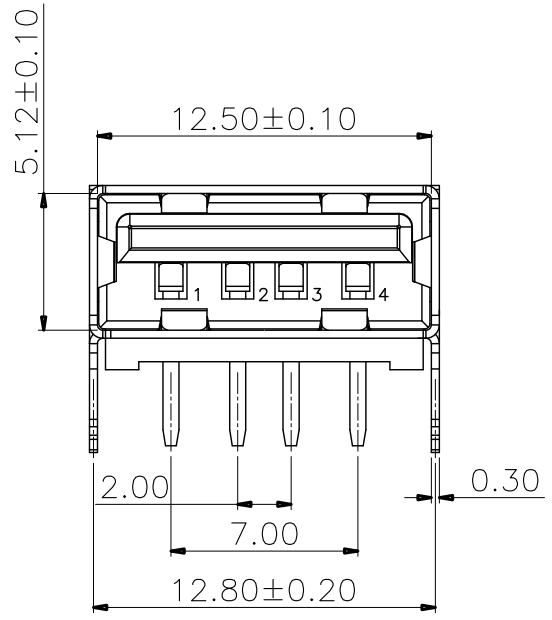
- 1. HOUSING: SEE NOTES,
- TERMINAL: SEE NOTES.
- SHELL: SEE NOTES.

SPECIFICATION:

- 1. ELECTRICAL CHARACTERISTIC:
  - CONTACT RESISTANCE: 30MΩ MAX
  - DIELECTRIC WITHSTANDING VOLTAGE: 500V AC FOR 1MIN
  - INSULATION RESISTANCE: 1000MΩ MIN
- 2. MECHANICAL CHARACTERISTIC:
  - INSERTION FORCE: 35N(3.57KGF) MAX
  - EXTRACTION FORCE: 10~35N(1.02~3.57KGF)MIN
  - DURABILITY: 1500 CYCLES EXTRACTION FORCE:10~35N  
5000 CYCLES MIN
  - 5000 CYCLES EXTRACTION FORCE:3~35N
- 3. ENVIRONMENTAL:
  - OPERATING TEMPERATURE: -55℃+85℃
- 4. Contact finish:
  - 01:Selective Gold Flash
  - 02:Selective Gold 3U"
  - 03:Selective Gold 5U"
  - 04:Selective Gold 15U"
  - 05:Selective Gold 30U"

PCB HOLES(THE PATTERN SIDE)

NOTE: GENERAL TOLERANCE: ±0.1mm



深圳市精拓金电子有限公司

品名 PRODUCT CHART DWG				单位 UNITS				制图 DRAWING		Z-Y-B		零件号 PRODUCT PART NO.		909-362A1023D10100	
公差 TOLERANCE UNLESS OTHERWISE				比例 SCALE				审核 CHECK		日期 DATE		零件号 PRODUCT NO.		黑胶DIP无耳朵	
X	±0.15	X	±5.°	.X	±0.10	.X	±2.°	2010.05.06	2010.05.06	AF10.0B款四脚无边铜壳PBT	图法 VIEW		版本 VER		
.X	±0.10	.X	±2.°	.XX	±0.05	.XX	±1.°				图法 VIEW		版本 VER		
.XX	±0.05	.XX	±1.°	.XXX	±0.03	.XXX	±0.5°				图法 VIEW		版本 VER		
.XXX	±0.03	.XXX	±0.5°								图法 VIEW		版本 VER		

由 Autodesk 教育版产品制作

由 Autodesk 教育版产品制作