

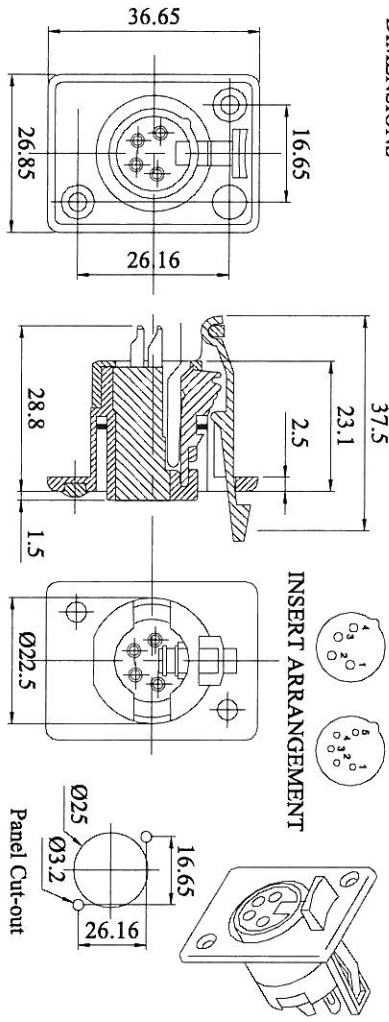
A range of panel mounting audio and video connectors incorporating many innovative features, compatible with all leading manufacturers' cable plugs.

- a simple press down, squeeze clip release mechanism makes it particularly easy to use.
- generous solder buckets enable easier cable assembly as well as catering for larger conductor sizes.
- a range of coloured plastic coding buttons is also available, offering a quick and easy system of channel identification.
- available in satin nickel or matt black finish, with either silver or gold plated contacts.

Mechanical Properties

Housing	Zinc high pressure diecasting satin nickel or black chrome
Contact base	Valox DR48
Contacts	Brass, 3 microns silver anti-tarnish finish or 0.5 microns gold
Collar	Polypropylene VIR 222 black
Latch	Zinc high pressure diecasting
Chuck	Acetal (UL 94 HB)
Screw collar	Zinc high pressure diecasting
Screen	satin nickel or black chrome
Interchangeable Connector ident	Spring Steel, 3 microns silver anti-tarnish
Ident options	Buttons
Yellow,	Acetal (UL 94 HB)
Operating Temp	Black, Brown, Red, Orange.
Insertion force	Green, Blue, Violet, Grey, White
Withdrawal force	-30°C to +80°C
Min No. insertions	20N
	10N
	5000
Electrical Properties	
Number of contacts	4 or 5
Rated current per contact	10 or 7.5 Amps
Maximum wire size (solid)	15 or 16 AWG
Cap. Between contacts	3.0, 2.5 mm ²
Rated voltage	7 or 7 pF
Test voltage	50 Volts ac
Contact resistance	1500 Volts ac
Insulation resistance	3m Ω
	1G Ω

DIMENSIONS



INSERT ARRANGEMENT

Deltron Part No	Silver Contacts		Gold Contacts	
	Nickel	Black	Nickel	Black
4-Way	702-0400	710-0400	706-0400	714-0400
5-Way	702-0500	710-0500	706-0500	714-0500

CONVERTED FROM PS882 ISS1 (22.08.97) IN JAN 2003

DrqNo 702-710-706-714 4&5 WAY TITLE PROFESSIONAL QUALITY - PANEL SOCKET

DEM	ISSUE	5	GENERAL SPECIFICATION	CUSTOMER	Aprvd Date	20.02.08	Aprvd By	BFS	Drwn by	BS	Scaler	NTS	Sheet	1 / 1
			FOR MULTIPOLE CONNECTOR											

© DEM Manufacturing Limited E-Mail sales@dem-uk.com, Website www.dem-uk.com, Phone +44 1724 273200 Fax +44 1724 280353

ALL DIMENSIONS IN MM ANGLES IN DECIMAL DEGREES