

**PLEASE CHECK WWW.MOLEX.COM FOR LATEST PART INFORMATION**

**Part Number:** [0734200772](#)  
**Status:** **Active**  
**Overview:** SMP-MAX Board-to-Board RF Connectors  
**Description:** 50 Ohms, SMP-MAX Plug Detent Pin, Peek Insulator, Straight, PCB Through Hole, 0.02µm to 0.38µm Gold Plated, Tray

**Documents:**

[Drawing \(PDF\)](#) [RoHS Certificate of Compliance \(PDF\)](#)

**General**

Product Family	RF/Coax Connectors
Series	73420
Overview	SMP-MAX Board-to-Board RF Connectors
Product Name	SMP-MAX
Style	PCB
UPC	887191345185
Wire/Cable Type	N/A

**Physical**

Gender	Plug
Keying to Mating Part	None
Orientation	Straight
PCB Mounting	Through Hole
Packaging Type	Tray
Panel Mount	No
Panel Mount Method	N/A

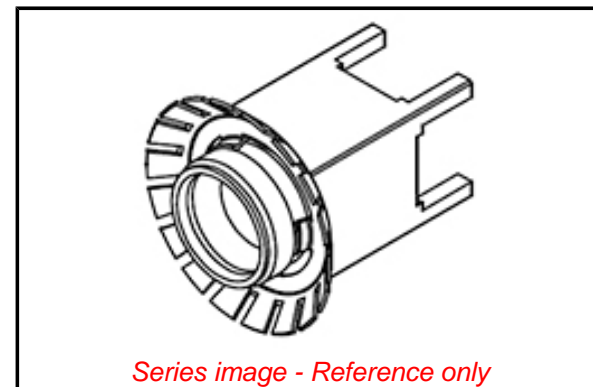
**Electrical**

Impedance	50#
-----------	-----

**Material Info**

**Reference - Drawing Numbers**

Sales Drawing	SD-73420-077
---------------	--------------



*Series image - Reference only*

**EU ELV**

**Not Reviewed**

**EU RoHS**

**Not Reviewed**

**REACH SVHC**

Not Reviewed

**Halogen-Free**

**Status**

**Not Reviewed**

**Need more information on product environmental compliance?**

Email [productcompliance@molex.com](mailto:productcompliance@molex.com)  
Please visit the [Contact Us](#) section for any non-product compliance questions.

China ROHS

Not Reviewed

ELV

Not Reviewed

**Search Parts in this Series**

[73420 Series](#)