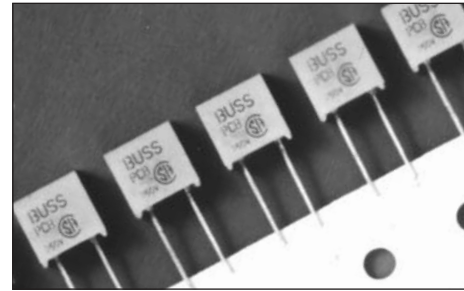


Description

- Non-Time Delay
- Ideal for high voltage DC applications
- Board washable
- Optional mounting socket available (PCS)
- Available in different lead configurations

Agency Information

- UL Recognized - File E19180, Guide JDYX2
- CSA Certified - File 42731, Class 1422-01



| AC TIME-CURRENT CHARACTERISTICS | |
|---------------------------------|-------------------|
| % of Amp Rating | Opening Time |
| 100% | 4 hours minimum |
| 200% | 10 second maximum |

Ordering

- Specify packaging code and product code (i.e., BK/PCB-1/2)

DC Application

The PC-Tron subminiature fuse is UL Recognized for DC supplementary overcurrent protection to provide individual protection for components or internal circuits in equipment. Suitability for a specific application is dependent on time constants and capacitance values. It is the responsibility of the customer to evaluate the information provided for applicability to their particular application.

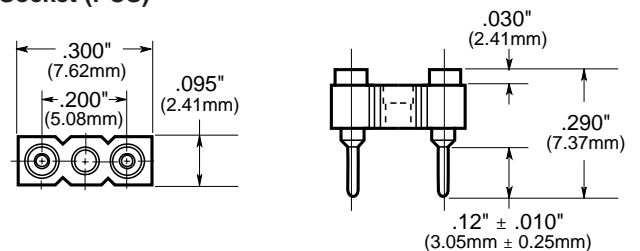
Dimensions mm/(inches)

Dimensional Data: All tolerances $\pm .005"$
 $\pm .13 \text{ mm}$

Mounting Socket

- Available as option. (Specify catalog number BK/PCS (100-in) and short fuse lead length — PCC or PCE)

Socket (PCS)

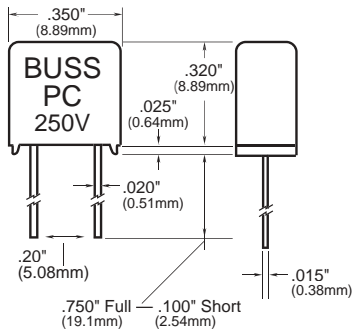


| SPECIFICATIONS | | | | | | |
|------------------------------------|--------------------------|-------------------|---------------------------|-------------------|-----------------|-------|
| Product Code / Amp Rating | Lead Length | Voltage Rating AC | AC Interrupting | Voltage Rating DC | DC Interrupting | |
| | | | | | Min. | Max. |
| PCB - 1/2, 3/4, 1, 1-1/2, 2, 2-1/2 | Full - 0.750" (straight) | 250V | 50A @ 250V 10kA @ 125V | 450V | 300 | 5900A |
| PCB - 3 | Full - 0.750" (straight) | 250V | 50A @ 250V | 350V | 300 | 4400A |
| PCC - 1/2, 3/4, 1, 1-1/2, 2, 2-1/2 | Short 0.100" (straight) | 250V | 50A @ 250V 10kA @ 125V | 450V | 300 | 5900A |
| PCC - 3 | Short 0.100" (straight) | 250V | 50A @ 250V 10kA @ 125V | 350V | 300 | 4400A |
| PCD - 5 | Full - 0.750" (straight) | 125V | 10kA @ 125V | 250V | 300 | 4200A |
| PCE - 5 | Short 0.100" (straight) | 125V | 10kA @ 125V | 250V | 300 | 4200A |
| PCF - 1/2, 3/4, 1, 1-1/2, 2, 2-1/2 | 0.475" | 250V | 50A @ 250V 10kA @ 125V | 450V | 300 | 5900A |
| PCF - 3 | 0.475" | 250V | 50A @ 250V 10kA @ 125V | 350V | 300 | 4400A |
| PCG - 5 | 0.475" | 125V | 10kA @ 125V | 250V | 300 | 4200A |
| PCH - 1/2, 3/4, 1, 1-1/2, 2, 2-1/2 | 0.125" | 250V | 50A @ 250V 10kA @ 125V | 450V | 300 | 5900A |
| PCH - 3 | 0.125" | 250V | 50A @ 250V 10kA @ 125V | 350V | 300 | 4400A |
| PCI - 5 | 0.125" | 125V | 10kA @ 125V | 250V | 300 | 4200A |

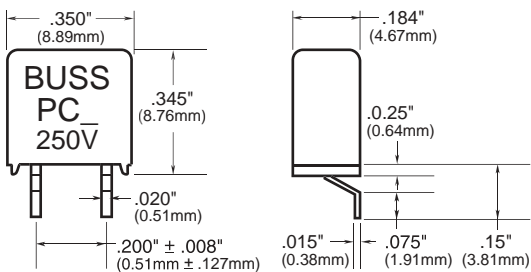
Device designed to carry rated current for four hours minimum. An operating current of 80% or less of rated current is recommended, with further derating required at elevated ambient temperatures.

Dimensional Data: All tolerances $\pm .005"$
 $\pm .13$ mm

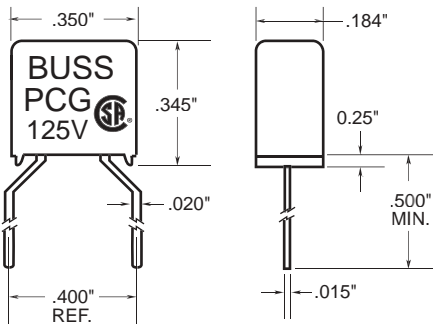
Standard Fuse (PCB, PCD)



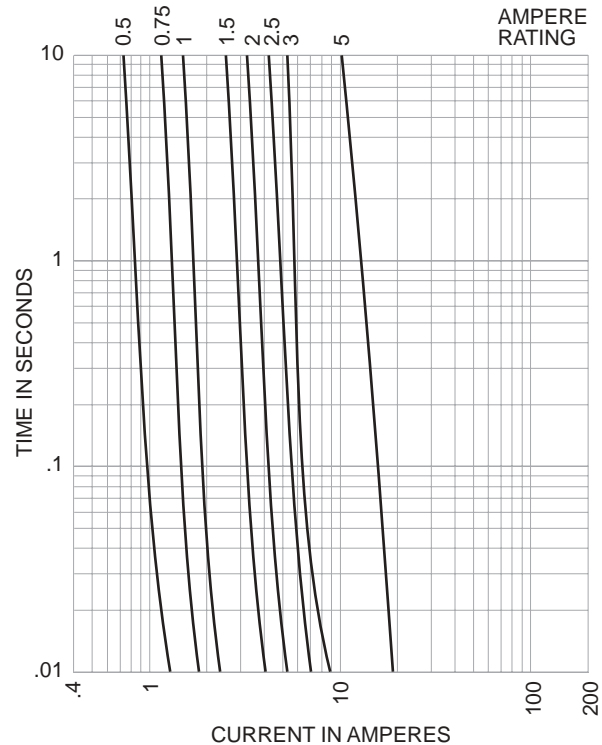
Dimensional Data (PCH, PCI)



Dimensional Data (PCF, PCG)



Time-Current Characteristic Curves—Average Melt



Max. Total Clearing I²t (Amps² Sec.)

| Amp Rating | Volts AC | | | |
|------------|----------|--------|---------|------------------------|
| | 50A | 1,000A | 10,000A | 250 Volts 35A & 50A |
| 1/2A | 0.006 | 0.006 | 0.006 | 0.006 |
| 3/4A | 0.016 | 0.016 | 0.016 | 0.016 |
| 1A | 0.020 | 0.020 | 0.020 | 0.020 |
| 1-1/2A | 0.090 | 0.090 | 0.090 | 0.090 |
| 2A | 0.200 | 0.200 | 0.200 | 0.200 |
| 2-1/2A | 0.300 | 0.300 | 0.300 | 0.300 |
| 3A | 0.750 | 0.750 | 0.750 | 0.750 |
| 5A | 5.0 | 5.0 | 5.0 | — |

Note—Power Factor > .90.

PACKAGING CODE

| Packaging Code | Description |
|----------------|--------------------------------------|
| Blank | 5 pieces of fuses |
| BK | 100 pieces of fuses in a carton |
| TR* | 500 pieces of fuses on tape and Reel |

* Short lead length not available in tape and reel packaging

North America

Cooper Electronic Technologies
3601 Quantum Boulevard
Boynton Beach, FL 33426-8638
Tel: 1-561-752-5000
Fax: 1-561-742-0134
Toll Free: 1-888-414-2645

Cooper Bussmann
P.O. Box 14460
St. Louis, MO 63178-4460
Tel: 1-636-394-2877
Fax: 1-800-544-2570

Europe

Cooper Electronic Technologies
Cooper (UK) Limited
Burton-on-the-Wolds
Leicestershire • LE12 5TH UK
Tel: +44 (0) 1509 882 737
Fax: +44 (0) 1509 882 786

Asia Pacific

Cooper Electronic Technologies
1 Jalan Kilang Timor
#06-01 Pacific Tech Centre
Singapore 159303
Tel: +65 278 6151
Fax: +65 270 4160