

O/E/N 52 DIP REED RELAY

- Dual - in - line Package
- Epoxy Moulded Relay
- Sensitive
- Direct PCB type
- JSS Approved

SPECIFICATIONS

Contact Arrangement	: 1 Form A, 1 Form C
Contact Rating	: 1 Form A, 1 Form C
Maxm. Wattage	: 10W, 3W
Maxm. Voltage	: 100V DC 28 V DC
Maxm. Current Carrying	: 1A 1A
Maxm. Current Switching	: 0.25 A 0.25A
Dielectric with standing voltage	
Across contacts (VRMS)	: 250, 150
Contacts to coil (VRMS)	: 500, 500
Capacitance	
Across contacts (Typical)	: 0.2 PF 3.5 PF
Contacts to coil (Typical)	: 2.0 PF 6.0 PF
Insulation Resistance(Ohms)	: 10^9 3×10^8
Operate Time (milli sec.)	
(Including Bounce)	: 0.5 1.5.
Release time (milli sec.)	: 0.35 1.5.
When Suppressor diode used (milli sec.)	: 0.50 1.7
Contact Resistance	: 150m Ohms Max. (Initial)
Life Expectancy	: Full load - 10^6 Ops Signal load - 10^7 Ops
Temperature Range	: -40° C to $+85^{\circ}$ C
Shock	: 50Gs. 8 Ms \pm 1Ms
Vibration	: 10-2000 HZ 20Gs. OR 3.2 MM (0.125") Displacement
Recommended Soldering	
Temperature	: 270° C Max.
Recommended Soldering	
Duration	: 5 Sec. Max.

Typical applications

Telecommunication Equipments, Office Automation, Security Equipments, Measuring Instruments.

All dimensions are in mm. Specifications subject to change without notice. Tolerance unless otherwise specified is $\pm 10\%$

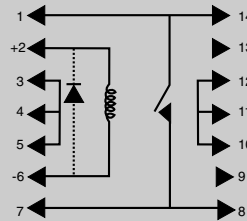
COIL DATA

Nominal Voltage VDC	Maximum Voltage VDC	Pick-up Voltage VDC (Max)	Drop-out Voltage VDC (Min)	Coil Resistance Ohms $\pm 10\%$ 1 Form A	Coil Resistance Ohms $\pm 10\%$ 1 Form C
05	7.5	4.0	0.5	200	80
12	15	8.0	1.2	500	450
15	19	11.5	1.5	900	700
24	32	18.0	2.4	2100	1200

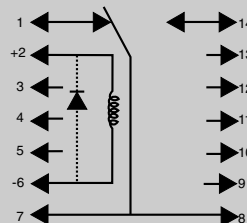
05	7.5	4.0	0.5	200	80
12	15	8.0	1.2	500	450
15	19	11.5	1.5	900	700
24	32	18.0	2.4	2100	1200

CIRCUIT DIAGRAMS

(View From Top of the Relay)

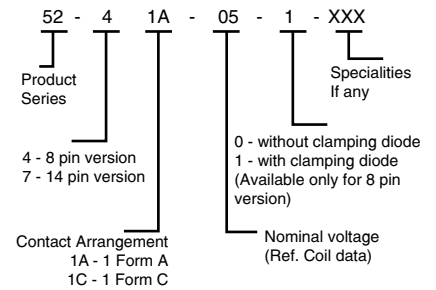


1 Form A

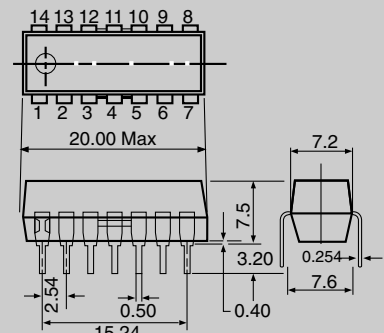


1 Form C

HOW TO ORDER



DIMENSIONS



For 8 pin version omit terminals 3,4,5,10,11 & 12

DRILLING PATTERN

