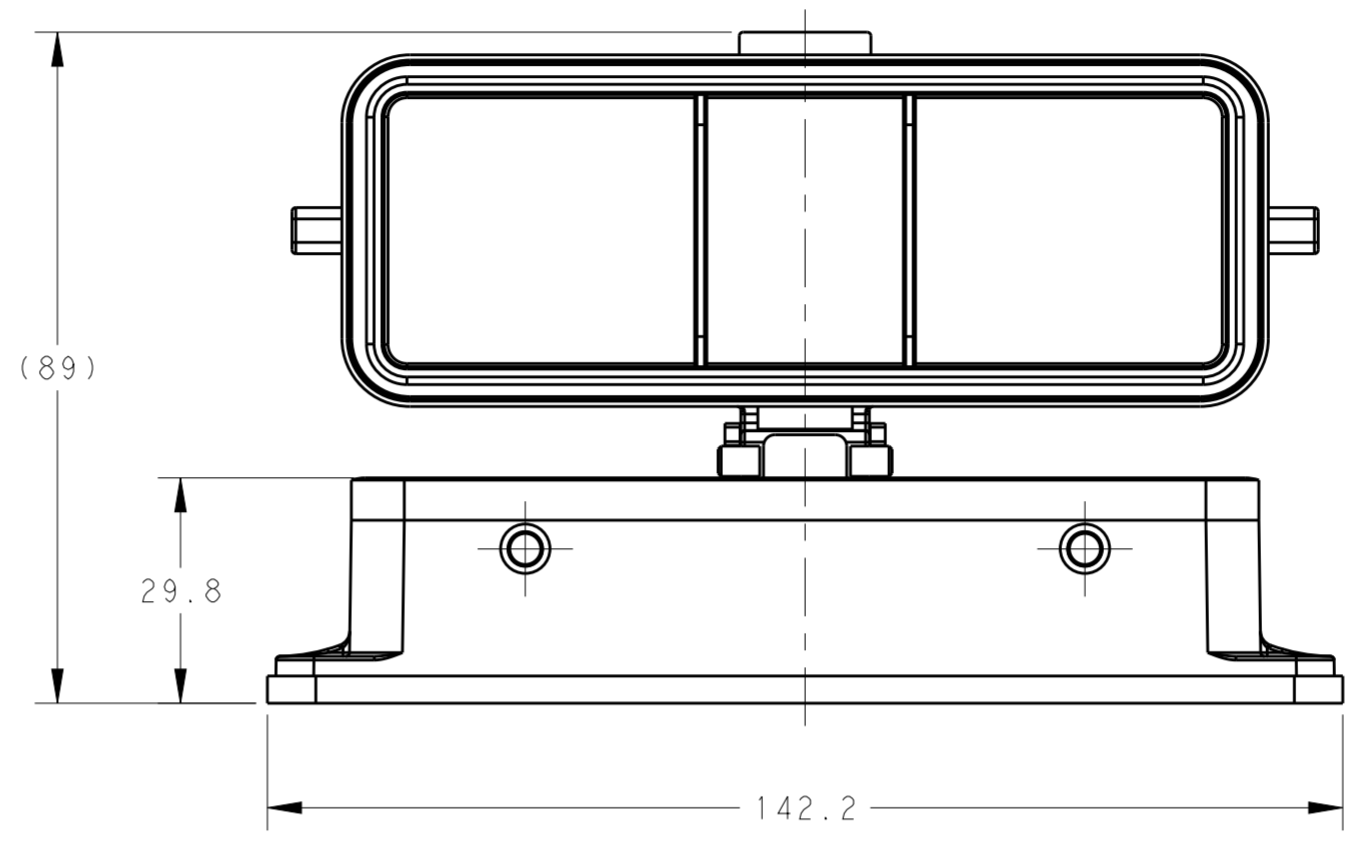
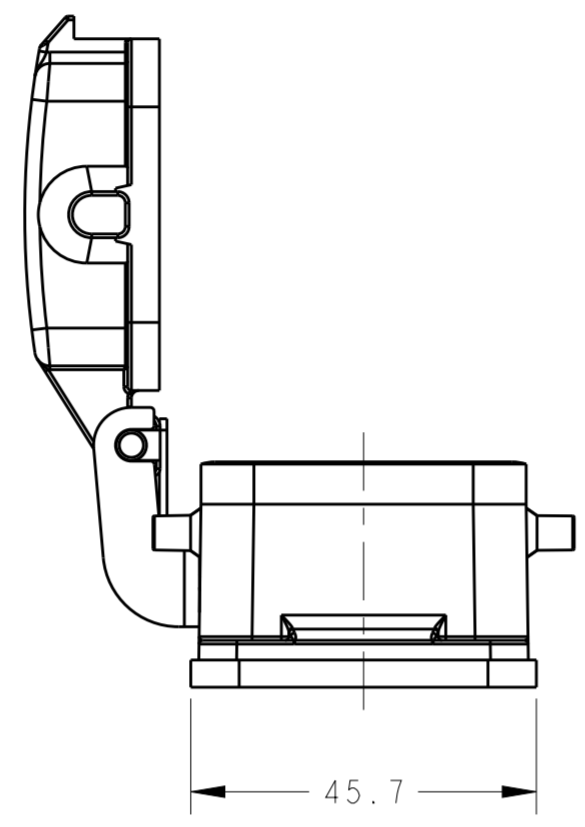
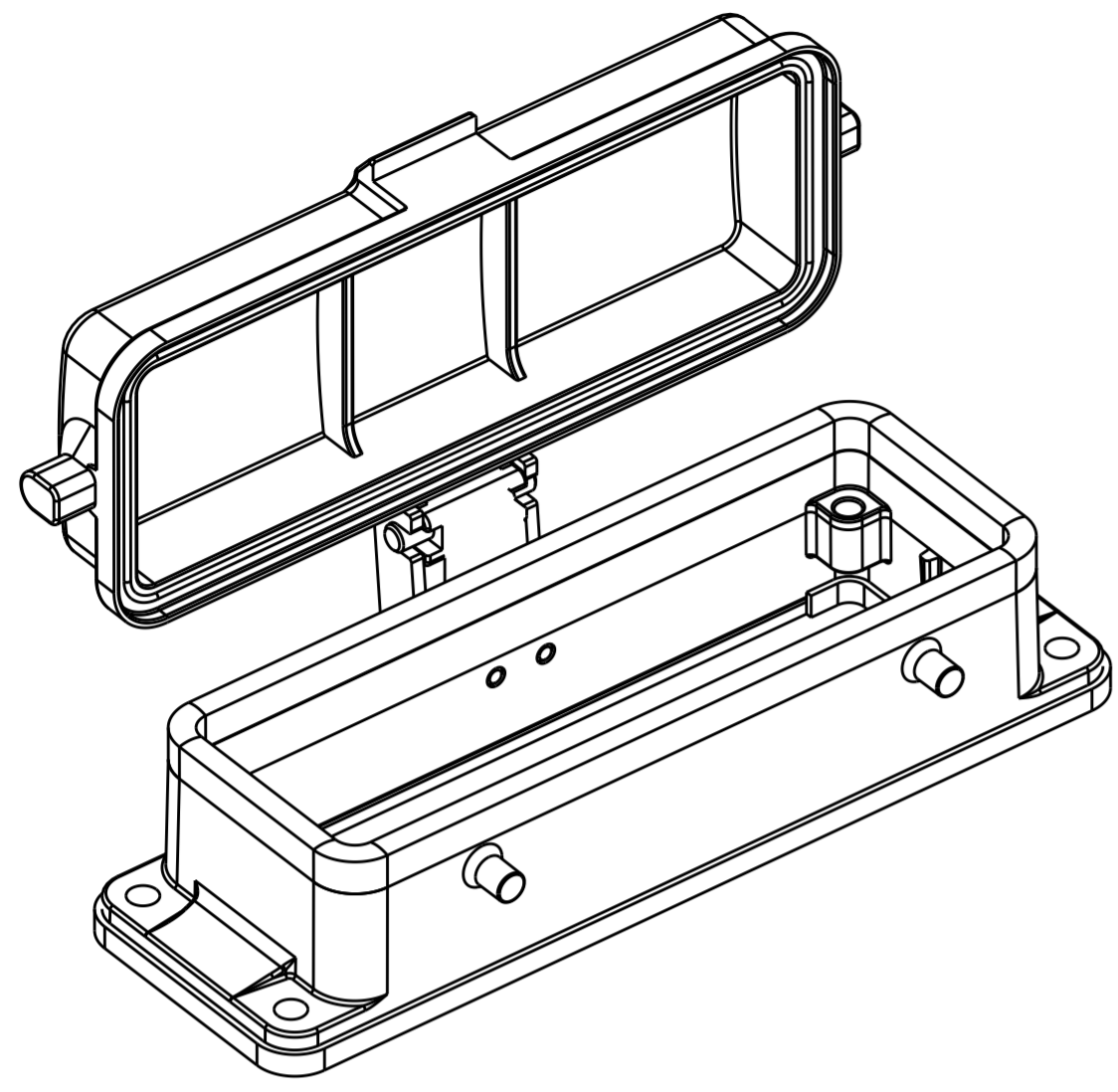


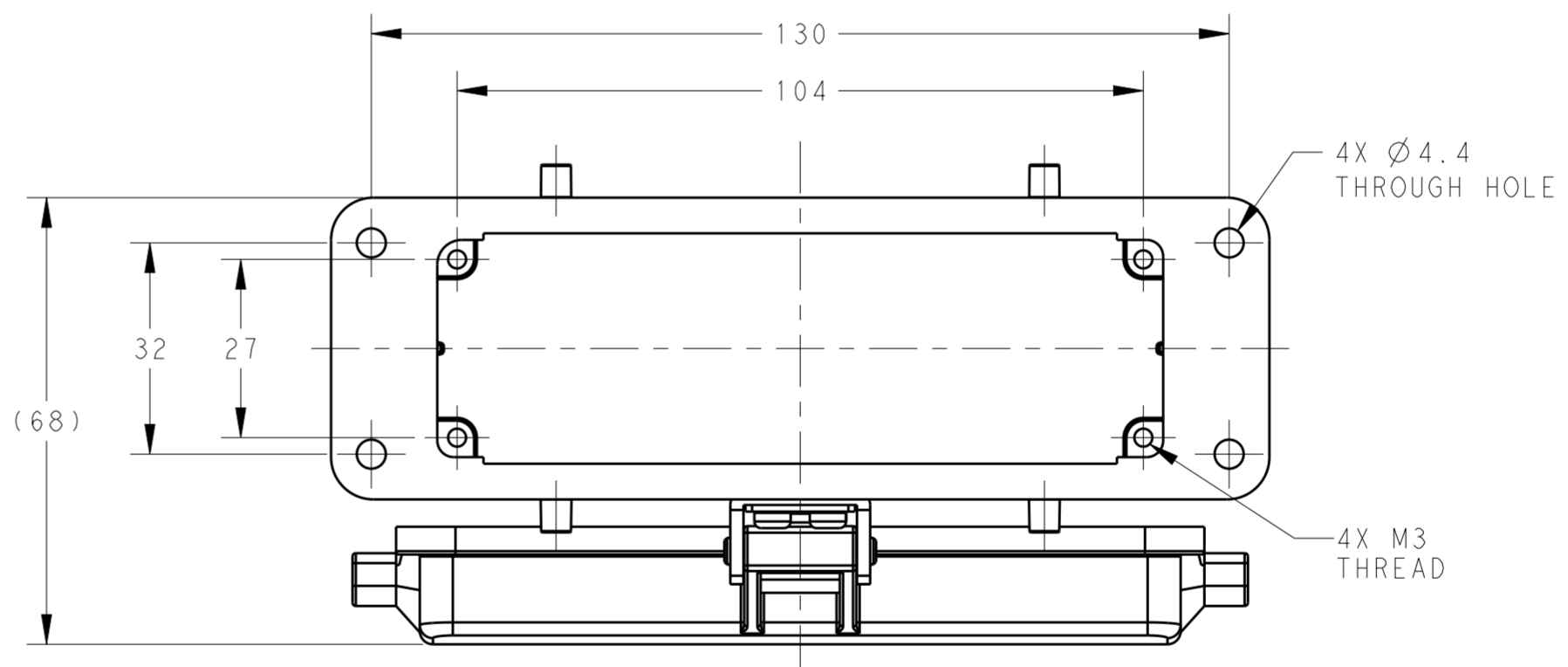
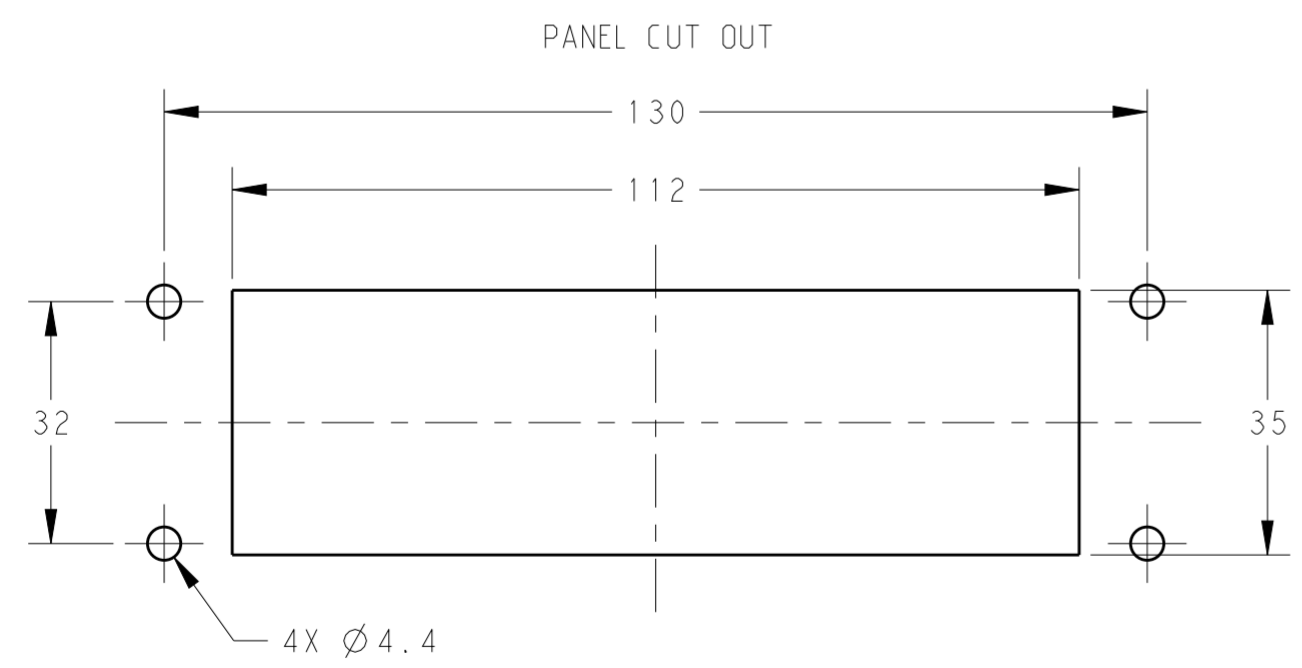
THIS DRAWING IS UNPUBLISHED. RELEASED FOR PUBLICATION 20  
 © COPYRIGHT 20 BY - ALL RIGHTS RESERVED.

REVISIONS				
P	LTR	DESCRIPTION	DATE	APVD
A		INITIAL	17NOV2014	DW CW



NOTES:  
 1. TECHNICAL CHARACTERISTICS:  
 HOUSING MATERIAL:  
 DIE CAST ALUMINIUM ALLOY  
 SURFACE:  
 POWDER COATED, RAL7037  
 SEAL MATERIAL: NBR  
 OPERATION TEMPERATURE:  
 -40-+125°C  
 DEGREE OF PROTECTION:  
 IP65 (MATED)

注释:  
 1. 技术参数:  
 下壳材料: 铝合金  
 表面处理: 粉末涂层, RAL7037  
 密封材料: NBR  
 工作温度: -40-+125°C  
 防护等级: IP65(配合)



H24B-AD-B0	T1430240000-000
DESCRIPTION	PART NUMBER

THIS DRAWING IS A CONTROLLED DOCUMENT.		DWN David Wang 17NOV2014	<b>STE</b> TE Connectivity	
DIMENSIONS: mm		CHK Chris Wang 17NOV2014		
TOLERANCES UNLESS OTHERWISE SPECIFIED:		APVD Xiang Xu 17NOV2014	NAME H24B-AD-B0	
0 PLC	±	PRODUCT SPEC	SIZE CAGE CODE DRAWING NO RESTRICTED TO	
1 PLC	±	108-137013	A200779 C-T1430240000000	
2 PLC	±	APPLICATION SPEC	SCALE 1:1 SHEET 1 OF 1 REV A	
3 PLC	±	114-137013		
4 PLC	±	WEIGHT -		
ANGLES	±	Customer Drawing		
FINISH	-			