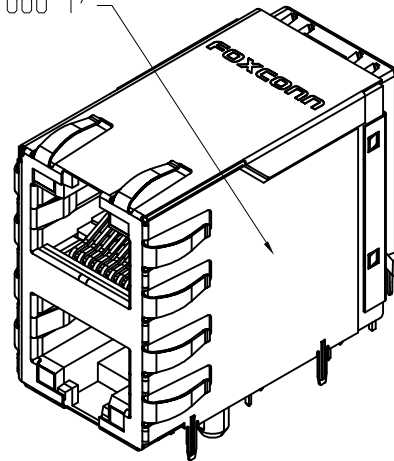
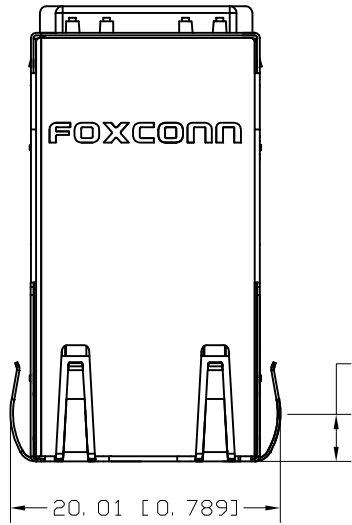


AUTOCAD GENERATED DRAWING, DON'T CHANGE BY HAND

REV.	ECN. NO.	APPD.
A	BC06753364	JOHN CHOW

MARK PART # AND '1000 T'



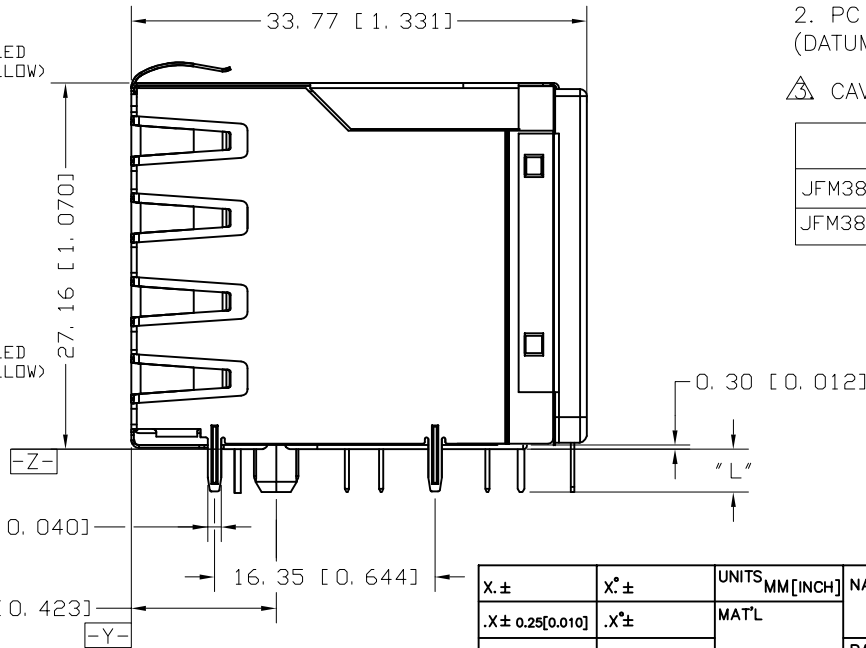
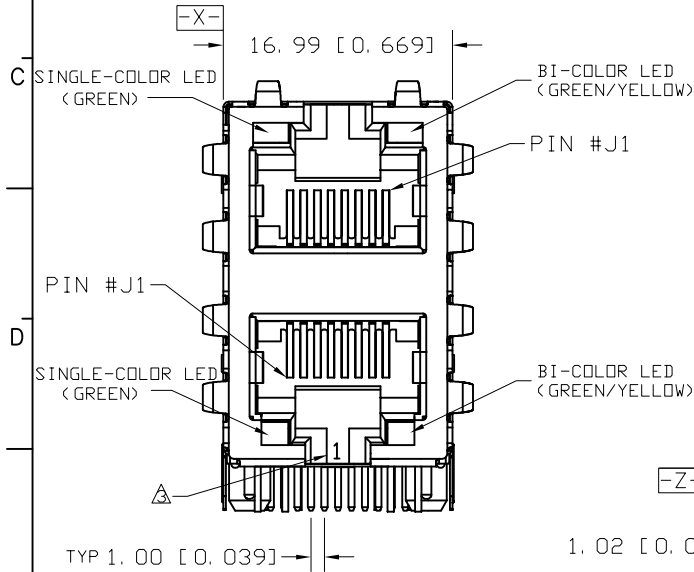
NOTES: UNLESS OTHERWISE SPECIFIED.

1. CONNECTOR TO COMPLY WITH CFR TELECOMMUNICATION STANDARD PART 68 SUBPART F

2. PC BOARD SURFACES (STAND OFF) PLANE (DATUM $\square Z$)

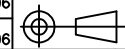
\triangle CAVITY NO.

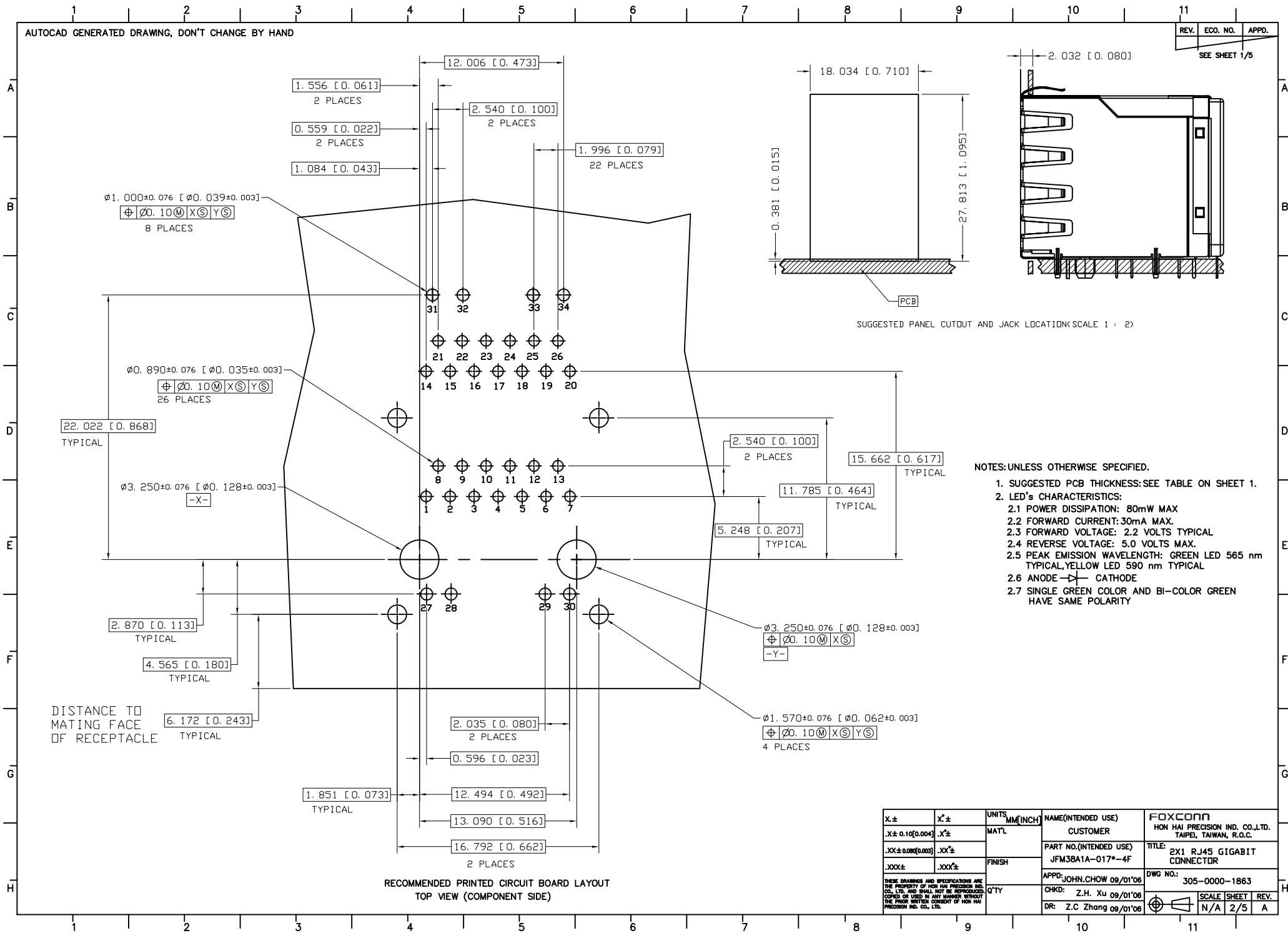
P/N	DIM "L"	PCB THICKNESS
JFM38A1A-0175-4F	3.18 [0.125]	2.36 [0.093]
JFM38A1A-0176-4F	2.16 [0.085]	1.57 [0.0618]



1.02 [0.040]
10.74 [0.423]

X.±	X°.±	UNITS	MM [INCH]	NAME (INTENDED USE)	FOXCONN HON HAI PRECISION IND. CO., LTD. TAIPEI, TAIWAN, R.O.C.
.X±0.25[0.010]	.X°.±	MAT'L		CUSTOMER	
.XX±0.25[0.010]	.XX°.±			PART NO. (INTENDED USE)	TITLE: 2X1 RJ45 GIGABIT CONNECTOR
.XXX±	.XXX°.±	FINISH		APPD: JOHN.CHOW 09/01'06	DWG NO.: 305-0000-1863
THESE DRAWINGS AND SPECIFICATIONS ARE THE PROPERTY OF HON HAI PRECISION IND. CO., LTD. AND SHALL NOT BE REPRODUCED, COPIED OR USED IN ANY MANNER WITHOUT THE PRIOR WRITTEN CONSENT OF HON HAI PRECISION IND. CO., LTD.				Q'TY	CHKD: Z.H. Xu 09/01'06
				DR: Z.C Zhang 09/01'06	SCALE SHEET REV. 2 : 1 1/5 A





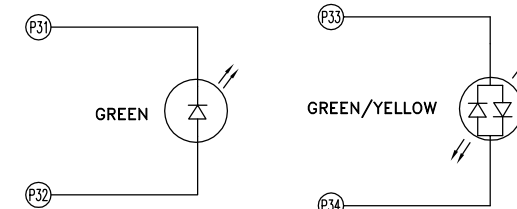
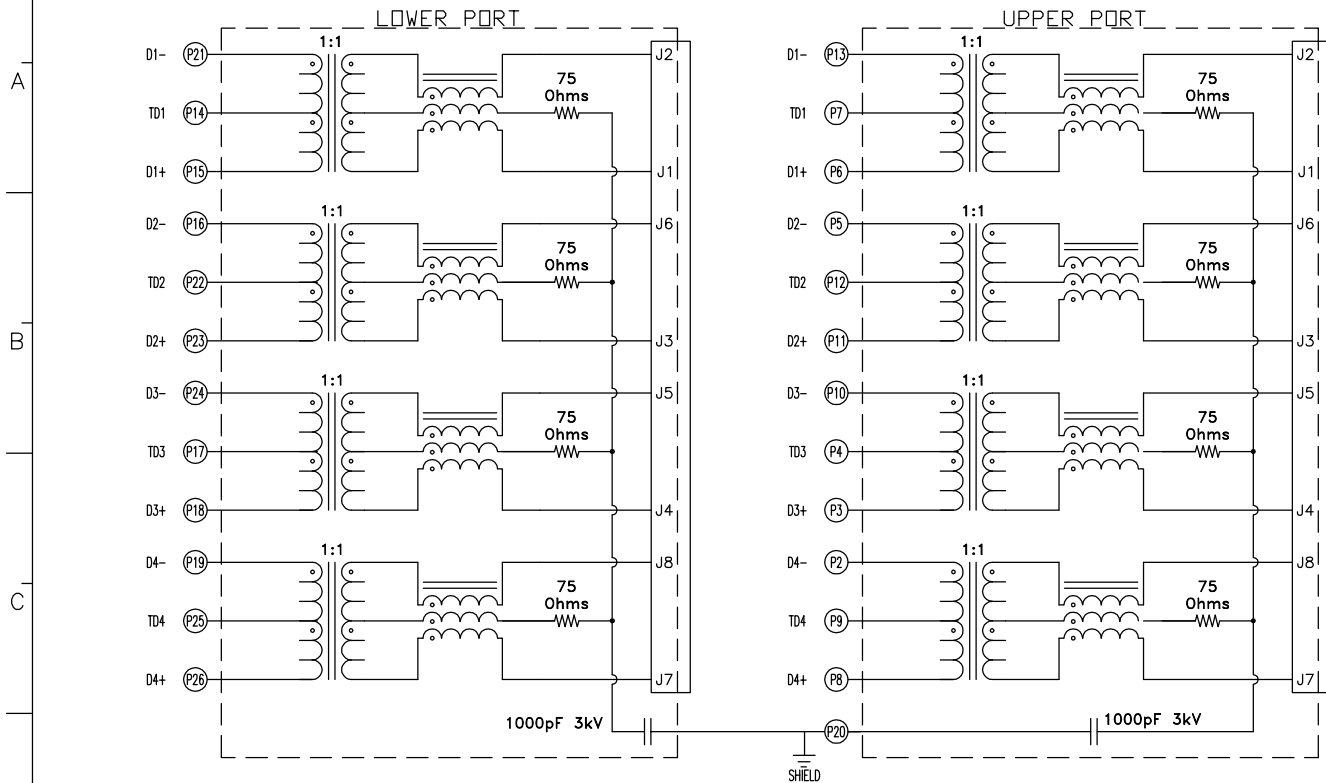
SUGGESTED PANEL CUTOUT AND JACK LOCATION SCALE 1 : 2

- NOTES: UNLESS OTHERWISE SPECIFIED.
- SUGGESTED PCB THICKNESS: SEE TABLE ON SHEET 1.
 - LED'S CHARACTERISTICS:
 - POWER DISSIPATION: 80mW MAX
 - FORWARD CURRENT: 30mA MAX.
 - FORWARD VOLTAGE: 2.2 VOLTS TYPICAL
 - REVERSE VOLTAGE: 5.0 VOLTS MAX.
 - PEAK EMISSION WAVELENGTH: GREEN LED 565 nm TYPICAL, YELLOW LED 590 nm TYPICAL
 - ANODE \rightarrow CATHODE
 - SINGLE GREEN COLOR AND BI-COLOR GREEN HAVE SAME POLARITY

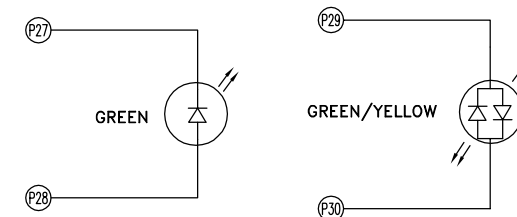
RECOMMENDED PRINTED CIRCUIT BOARD LAYOUT TOP VIEW (COMPONENT SIDE)

X ±	X' ±	UNITS	NAME (INTENDED USE)	FOXCONN
.X ± 0.10 [0.004]	.X' ±	MM [INCH]	CUSTOMER	HON HAI PRECISION IND. CO. LTD. TAIPEI, TAIWAN, R.O.C.
.XX ± 0.000 [0.000]	.XX' ±	MATL	PART NO. (INTENDED USE)	TITLE: 2X1 RJ45 GIGABIT CONNECTOR
.XXX ±	.XXX' ±	FINISH	JFM38A1A-017*-4F	DWG NO.: 305-0000-1863
THESE DRAWINGS AND SPECIFICATIONS ARE THE PROPERTY OF HON HAI PRECISION IND. CO. LTD. AND SHALL NOT BE REPRODUCED COPIED OR USED IN ANY MANNER WITHOUT THE PRIOR WRITTEN CONSENT OF HON HAI PRECISION IND. CO. LTD.		Q'TY	APPD: JOHN.CHOW 09/01/06	CHKD: Z.H. Xu 09/01/06
			DR: Z.C Zhang 09/01/06	SCALE SHEET REV. N/A 2/5 A

SEE SHEET 1/5



UPPER PORT LEADS



LOWER PORT LEADS

ELECTRICAL SPECIFICATIONS @ 25° UNLESS OTHERWISE NOTED:

INDUCTANCE:	400uH min., 100kHz, 0.1Vrms, 8mADC,	
DIELECTRIC RATING:	1500Vrms,	
TURNS RATIO & POLARITY:	PER SCHEMATIC.	
INSERTION LOSS:	-1.2dB MAX., 1MHz - 100MHz.	
RETURN LOSS:	-18dB MIN., 1MHz - 30MHz.	-15dB MIN., 30MHz - 60MHz.
	-12dB MIN., 60MHz - 80MHz.	-10dB MIN., 80MHz - 100MHz.
CROSSTALK:	-45dB MIN., 1MHz - 30MHz.	-40dB MIN., 30MHz - 60MHz.
	-37dB MIN., 60MHz - 80MHz.	-35dB MIN., 80MHz - 100MHz.
COMMON MODE REJECTION:	-45dB MIN., 1MHz - 30MHz.	-40dB MIN., 30MHz - 60MHz.
	-37dB MIN., 60MHz - 80MHz.	-35dB MIN., 80MHz - 100MHz.
OPERATING TEMPERATURE RANGE:	0°C to +70°C.	

X.±	X°±	UNITS	NAME(INTENDED USE)	FOXCONN HON HAI PRECISION IND. CO.,LTD. TAIPEI, TAIWAN, R.O.C.
.X±	.X°±	MAT'L	CUSTOMER	
.XX±	.XX°±	FINISH	PART NO.(INTENDED USE)	TITLE:
.XXX±	.XXX°±		JFM38A1A-017*-4F	APPD: JOHN.CHOW 09/01'06
THESE DRAWINGS AND SPECIFICATIONS ARE THE PROPERTY OF HON HAI PRECISION IND. CO., LTD. AND SHALL NOT BE REPRODUCED, COPIED OR USED IN ANY MANNER WITHOUT THE PRIOR WRITTEN CONSENT OF HON HAI PRECISION IND. CO., LTD.			Q'TY	DWG NO.:
			CHKD: Z.H. Xu 09/01'06	305-0000-1863
			DR: Z.C Zhang 09/01'06	SCALE SHEET REV.
				N/A 3/5 A

REV.	ECN. NO.	APPD.
SEE SHEET 1/5		

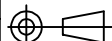
SPECIFICATIONS:

1. ELECTRICAL:

- 1.1 CURRENT RATING: 1.5 AMPERES MAXIMUM
- 1.2 VOLTAGE RATING: 150 VAC
- 1.3 DIELECTRIC WITHSTAND VOLTAGE: 1500 VAC ACROSS TRANSFORMER

2. MECHANICAL:

- 2.1 MATING FORCE: 4 LBS MAXIMUM WITH LATCH DEPRESSED
- 2.2 DURABILITY (MATING/UNMATING): 1000 CYCLES
- 2.3 OPERATING TEMP: 0 TO 70 DEG C
- 2.4 INSERTION FORCE OF PCB RETENTION POSTS: 8.5 LBS MAXIMUM
- 2.5 FLAMMABILITY: UL 94 V-0

X.±	X°±	UNITS	NAME(INTENDED USE)	FOXCONN HON HAI PRECISION IND. CO.,LTD. TAIPEI, TAIWAN, R.O.C.			
.X±	.X°±	MAT'L	CUSTOMER				
.XX±	.XX°±	FINISH	PART NO.(INTENDED USE)	TITLE: 2X1 RJ45 GIGABIT CONNECTOR			
.XXX±	.XXX°±		JFM38A1A-017*-4F	APPD: JOHN.CHOW 09/01'06	DWG NO.: 305-0000-1863		
THESE DRAWINGS AND SPECIFICATIONS ARE THE PROPERTY OF HON HAI PRECISION IND. CO., LTD. AND SHALL NOT BE REPRODUCED, COPIED OR USED IN ANY MANNER WITHOUT THE PRIOR WRITTEN CONSENT OF HON HAI PRECISION IND. CO., LTD.		Q'TY	CHKD: Z.H. Xu 09/01'06		SCALE	SHEET	REV.
			DR: Z.C Zhang 09/01'06		N/A	4/5	A

ITEM	DESCRIPTION	Q' TY	MATERIAL	TREATMENT	REMARKS
1	HOUSING	1	HIGH TEMP. THERMOPLASTIC UL 94V-0	MOLDED BLACK	
2	CONTACT	16/26	PHOSPHOR BRONZE	50u" MIN GOLD AT CONTACT AREA 100u" TINKLEAD FREE< SOLDERING AREA 50 - 120 u" NICKEL UNDERPLATING	
3	SHIELD	1	BRASS ALLOY	100-200 u" NICKEL OVER ALL	
4	CAPACITOR	1		1000 pF 3 KV	
5	RESISTOR	4X2		75 OHMS	
6	PCB	3	FR4	NONE	TOP BOARD INCLUDES CAPACITOR & RESISTORS
7	LED	4		GREEN X2 YELLOW / GREEN X2	
8	MAGNETICS	2			
9	GROUND PLATE	1	BRASS ALLOY	100-150 u" TIN <LEAD FREE> OVER 50-90 u" NICKEL	
10	GROUND CONTACT	1	BRASS ALLOY	100-200 u" TIN <LEAD FREE> OVER 50-100 u" NICKEL	

REMARK:

JFM

3

8

A

1

A

017*

4

F

LEAD FREE CODE:
N= NONE
F= LEAD FREE

RJ WITH MAGNETIC

CORE COUNT:
8=8 CORE

PROTOCOL TYPE:
3=10/100/1000
BASE T

CONFIGURATION:
A=2X1

PCB ATTACH METHOD
1=SOLDER
TAIL

LEDS
A=GREEN LEDs
LEFT SIDE,
BI-COLOR
LEDs RIGHT SIDE

EXTENSION CODE

SOFT TRAY

X.±	X°.±	UNITS	NAME(INTENDED USE)	FOXCONN HON HAI PRECISION IND. CO.,LTD. TAIPEI, TAIWAN, R.O.C.
.X±	.X°.±	MAT'L	CUSTOMER	
.XX±	.XX°.±	FINISH	PART NO.(INTENDED USE)	TITLE: 2X1 RJ45 GIGABIT CONNECTOR
.XXX±	.XXX°.±		JFM38A1A-017*-4F	APPD: JOHN.CHOW 09/01'06
THESE DRAWINGS AND SPECIFICATIONS ARE THE PROPERTY OF HON HAI PRECISION IND. CO., LTD. AND SHALL NOT BE REPRODUCED, COPIED OR USED IN ANY MANNER WITHOUT THE PRIOR WRITTEN CONSENT OF HON HAI PRECISION IND. CO., LTD.			Q'TY	CHKD: Z.H. Xu 09/01'06
				DR: Z.C Zhang 09/01'06
				SCALE SHEET REV. N/A 5/5 A

