



Frequency Timing Generator for Pentium II Systems

General Description

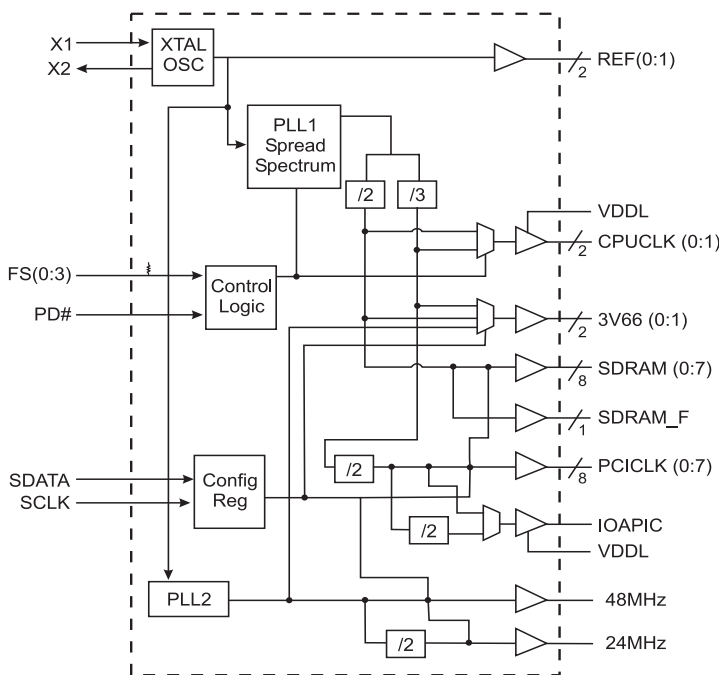
The **ICS9248-78** is a single chip clock for Intel Pentium II. It provides all necessary clock signals for such a system.

Spread spectrum may be enabled through I²C programming. Spread spectrum typically reduces EMI by 8dB to 10 dB. This simplifies EMI qualification without resorting to board design iterations or costly shielding. The **ICS9248-78** employs a proprietary closed loop design, which tightly controls the percentage of spreading over process and temperature variations.

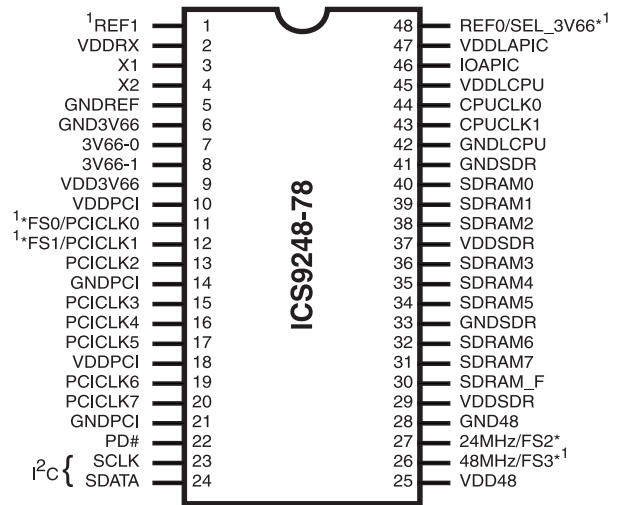
Features

- Generates the following system clocks:
 - 2 - CPUs @ 2.5V, up to 150MHz.
 - 1 - IOAPIC @ 2.5V, PCI/2MHz.
 - 9 SDRAMs (3.3V), up to 150MHz.
 - 2 - 3V66 @ 3.3V, 2x PCIMHz.
 - 8 - PCIs @ 3.3V.
 - 1 - 48MHz, @ 3.3V fixed.
 - 2 - REF @ 3.3V, 14.318Hz.
 - 1 - 24MHz, @ 3.3V fixed.
- Supports spread spectrum modulation, down spread 0 to -0.5%, ±0.25% center spread.
- I²C support for power management.
- Efficient power management scheme through PD#.
- Uses external 14.138 MHz crystal.

Block Diagram



Pin Configuration



48-Pin 300 mil SSOP

- These pins will have 2X drive strength.
- * 120K ohm pull-up to VDD on indicated inputs.

Power Groups

GNDREF, VDDREF = REF, Crystal
 GND3V66, VDD3V66 = 3V66
 GNDPCI, VDDPCI = PCICLKs
 GNDCOR, VDDCOR = PLLCORE
 GND48, VDD48 = 48
 GNDSDR, VDDSDR = SDRAM
 GNDL CPU, VDDL CPU = CPUCLK
 GNDL PCI, VDDL APIC = IOAPIC

Pentium II is a trademark of Intel Corporation
 I²C is a trademark of Philips Corporation

ICS9248-78



Preliminary Product Preview

Pin Descriptions

PIN NUMBER	PIN NAME	TYPE	DESCRIPTION
1	REF1	OUT	3.3V, 14.318MHz reference clock output.
2, 9, 10, 18, 25, 29, 37	VDD	PWR	3.3V power supply
3	X1	IN	Crystal input, has internal load cap (33pF) and feedback resistor from X2
4	X2	OUT	Crystal output, nominally 14.318MHz. Has internal load cap (33pF)
5, 6, 14, 21, 28, 33, 41	GND	PWR	Ground pins for 3.3V supply
7, 8	3V66 (1:0)	OUT	3.3V clock outputs for HUB running at 2XPCI MHz
11	PCICLK0 ¹	OUT	3.3V PCI clock outputs, with Synchronous CPUCLKS
	FS0	IN	Logic input frequency select bit. Input latched at power on.
12	PCICLK1 ¹	OUT	3.3V PCI clock outputs, with Synchronous CPUCLKS
	FS1	IN	Logic input frequency select bit. Input latched at power on.
13, 15, 16, 17, 19, 20	PCICLK (2:7)	OUT	3.3V PCI clock outputs, with Synchronous CPUCLKS
22	PD#	IN	Asynchronous active low input pin used to power down the device into a low power state. The internal clocks are disabled and the VCO and the crystal are stopped. The latency of the power down will not be greater than 3ms.
23	SCLK	IN	Clock input of I ² C input
24	SDATA	IN	Data input for I ² C serial input.
26	48MHz	OUT	3.3V Fixed 48MHz clock output for USB
	FS3	IN	Logic input frequency select bit. Input latched at power on.
27	FS2	IN	Logic input frequency select bit. Input latched at power on.
	24MHz	OUT	3.3V fixed 24MHz output
30	SDRAM_F	OUT	3.3V free running SDRAM not affected by I ² C
40, 39, 38, 36, 35, 34, 32, 31	SDRAM (7:0)	OUT	3.3V outputs
42	GNDL	PWR	Ground for 2.5V power supply for CPU & APIC
43, 44	CPUCCLK (1:0)	OUT	2.5V Host bus clock output.
45, 47	VDDL	PWR	2.5V power supply for CPU, IOAPIC
46	IOAPIC	OUT	2.5V clock outputs running at PCI/2 MHz
48	SEL_3V66	IN	This pin selects the 3V66 output frequency.
	REF0 ¹	OUT	3.3V, 14.318MHz reference clock output.

Note:

1. These pins will have 2X drive strength.



Frequency Selection

FS3	FS2	FS1	FS0	CPU MHz	SDRAM MHz	PCI MHz	3V66 MHz		IOAPIC MHz
							SEL_3V66=0	SEL_3V66=1	
0	0	0	0	100.23	100.23	33.41	66.82	66.82	16.70
0	0	0	1	100.90	100.90	33.63	67.26	67.26	16.81
0	0	1	0	105.00	105.00	35.00	70.00	70.00	17.50
0	0	1	1	66.89	100.33	33.44	66.89	66.89	16.72
0	1	0	0	120.00	120.00	40.00	64.00*	80.00	20.00
0	1	0	1	124.00	124.00	41.33	64.00*	82.66	20.67
0	1	1	0	133.30	133.30	44.43	64.00*	88.86	22.21
0	1	1	1	133.30	133.30	33.32	66.65	66.65	16.66
1	0	0	0	140.00	140.00	35.00	70.00	70.00	17.50
1	0	0	1	150.00	150.00	37.50	64.00*	75.00	18.75
1	0	1	0	114.99	114.99	38.33	64.00*	76.66	19.16
1	0	1	1	70.00	105.00	35.00	70.00	70.00	17.50
1	1	0	0	75.00	112.50	37.50	64.00*	75.00	18.75
1	1	0	1	83.31	124.96	41.65	64.00*	83.31	20.83
1	1	1	0	90.00	90.00	30.00	60.00	60.00	15.00
1	1	1	1	95.00	95.00	31.67	63.33	63.33	15.83

Note:

* These output frequencies are not synchronous to CPUCLK and do not have spread spectrum modulation.

Clock Enable Configuration

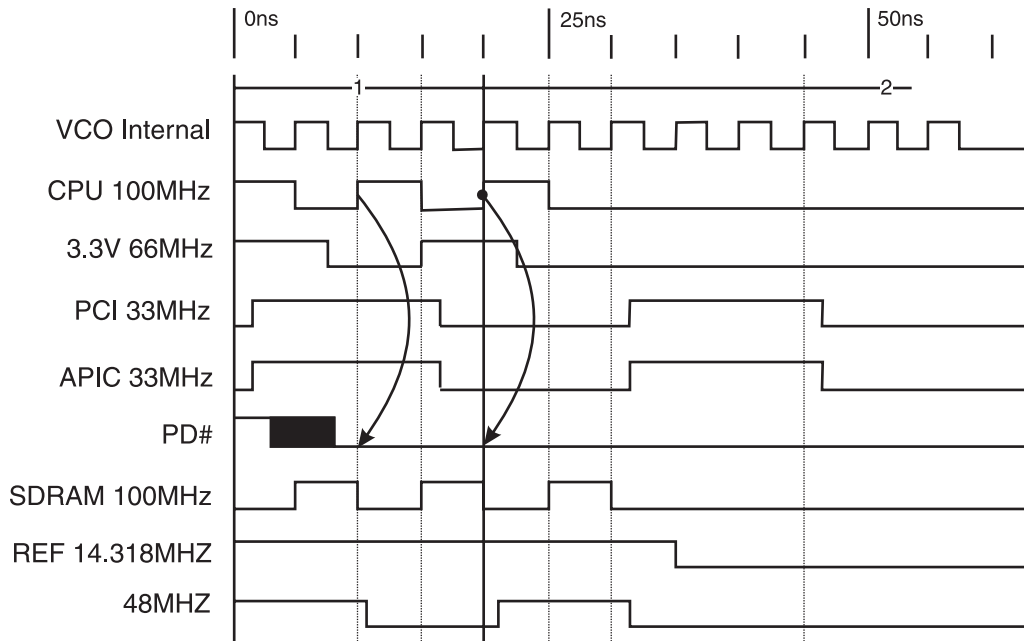
PD#	CPUCLK	SDRAM	IOAPIC	66MHz	PCICLK	REF, 48MHz	Osc	VCOs
0	LOW	LOW	LOW	LOW	LOW	LOW	OFF	OFF
1	ON	ON	ON	ON	ON	ON	ON	ON

ICS9248-78

Preliminary Product Preview



Power Down Waveform



Note

1. After PD# is sampled active (Low) for 2 consecutive rising edges of CPUCLKs, all the output clocks are driven Low on their next High to Low transition.
2. Power-up latency < 3ms.
3. Waveform shown for 100MHz



General I²C serial interface information

The information in this section assumes familiarity with I²C programming.
For more information, contact ICS for an I²C programming application note.

How to Write:

- Controller (host) sends a start bit.
- Controller (host) sends the write address D2_(H)
- ICS clock will *acknowledge*
- Controller (host) sends a dummy command code
- ICS clock will *acknowledge*
- Controller (host) sends a dummy byte count
- ICS clock will *acknowledge*
- Controller (host) starts sending first byte (Byte 0) through byte 5
- ICS clock will *acknowledge* each byte *one at a time*.
- Controller (host) sends a Stop bit

How to Write:	
Controller (Host)	ICS (Slave/Receiver)
Start Bit	
Address D2 _(H)	
	ACK
Dummy Command Code	
	ACK
Dummy Byte Count	
	ACK
Byte 0	
	ACK
Byte 1	
	ACK
Byte 2	
	ACK
Byte 3	
	ACK
Byte 4	
	ACK
Byte 5	
	ACK
Stop Bit	

How to Read:

- Controller (host) will send start bit.
- Controller (host) sends the read address D3_(H)
- ICS clock will *acknowledge*
- ICS clock will send the *byte count*
- Controller (host) acknowledges
- ICS clock sends first byte (*Byte 0*) through *byte 5*
- Controller (host) will need to acknowledge each byte
- Controller (host) will send a stop bit

How to Read:	
Controller (Host)	ICS (Slave/Receiver)
Start Bit	
Address D3 _(H)	
	ACK
	Byte Count
ACK	
	Byte 0
ACK	
	Byte 1
ACK	
	Byte 2
ACK	
	Byte 3
ACK	
	Byte 4
ACK	
	Byte 5
ACK	
Stop Bit	

Notes:

1. The ICS clock generator is a slave/receiver, I²C component. It can read back the data stored in the latches for verification. **Read-Back will support Intel PIIX4 "Block-Read" protocol.**
2. The data transfer rate supported by this clock generator is 100K bits/sec or less (standard mode)
3. The input is operating at 3.3V logic levels.
4. The data byte format is 8 bit bytes.
5. To simplify the clock generator I²C interface, the protocol is set to use only "**Block-Writes**" from the controller. The bytes must be accessed in sequential order from lowest to highest byte with the ability to stop after any complete byte has been transferred. The Command code and Byte count shown above must be sent, but the data is ignored for those two bytes. The data is loaded until a Stop sequence is issued.
6. At power-on, all registers are set to a default condition, as shown.

ICS9248-78



Preliminary Product Preview

Byte 0: Functionality and frequency select register (Default=0)
(1 = enable, 0 = disable)

Bit	Description							PWD
Bit 7	0 - $\pm 0.25\%$ Center Spread Spectrum							0
	1 - Down Spread Spectrum 0 to -0.5%							
Bit (2, 6:4)	Bit (2, 6:4)	CPUCLK MHz	SDRAM MHz	PCICLK MHz	3V66 MHz		IOAPIC MHz	Note 1
					SEL_3V66=0	SEL_3V66=1		
	0000	100.23	100.23	33.41	66.82	66.82	16.70	
	0001	100.90	100.90	33.63	67.26	67.26	16.81	
	0010	105.00	105.00	35.00	70.00	70.00	17.50	
	0011	66.89	100.33	33.44	66.89	66.89	16.72	
	0100	120.00	120.00	40.00	64.00*	80.00	20.00	
	0101	124.00	124.00	41.33	64.00*	82.66	20.67	
	0110	133.30	133.30	44.43	64.00*	88.86	22.21	
	0111	133.30	133.30	33.32	66.65	66.65	16.66	
	1000	140.00	140.00	35.00	70.00	70.00	17.50	
	1001	150.00	150.00	37.50	64.00*	75.00	18.75	
	1010	114.99	114.99	38.33	64.00*	76.66	19.16	
	1011	70.00	105.00	35.00	70.00	70.00	17.50	
	1100	75.00	112.50	37.50	64.00*	75.00	18.75	
	1101	83.31	124.96	41.65	64.00*	83.31	20.83	
1110	90.00	90.00	30.00	60.00	60.00	15.00		
1111	95.00	95.00	31.67	63.33	63.33	15.83		
Bit 3	0 - Frequency is selected by hardware select, latched inputs 1 - Frequency is selected by Bit 2, 6:4							0
Bit 1	0 - Normal 1 - Spread spectrum enable							1
Bit 0	0 - Running 1 - Tristate all outputs							0

Notes:

1. Default at power-up will be for latched logic inputs to define frequency, Bit 2, 6:4 are default to 0000.

* These output frequencies are not synchronous to CPUCLK and do not have spread spectrum modulation.



Byte 1: Control Register (1 = enable, 0 = disable)

Bit	Pin#	PWD	Description
Bit 7	-	X	FS3#
Bit 6	-	X	FS0#
Bit 5	-	X	FS2#
Bit 4	27	1	24MHz (Act/Inact)
Bit 3	-	1	(Reserved)
Bit 2	26	1	48MHz (Act/Inact)
Bit 1	-	1	(Reserved)
Bit 0	30	1	SDRAM_F (Act/Inact)

Byte 2: Control Register (1 = enable, 0 = disable)

Bit	Pin#	PWD	Description
Bit 7	31	1	SDRAM7 (Act/Inact)
Bit 6	32	1	SDRAM6 (Act/Inact)
Bit 5	34	1	SDRAM5 (Act/Inact)
Bit 4	35	1	SDRAM4 (Act/Inact)
Bit 3	36	1	SDRAM3 (Act/Inact)
Bit 2	38	1	SDRAM2 (Act/Inact)
Bit 1	39	1	SDRAM1 (Act/Inact)
Bit 0	40	1	SDRAM0 (Act/Inact)

Byte 3: Control Register (1 = enable, 0 = disable)

Bit	Pin#	PWD	Description
Bit 7	20	1	PCICLK7 (Act/Inact)
Bit 6	19	1	PCICLK6 (Act/Inact)
Bit 5	17	1	PCICLK5 (Act/Inact)
Bit 4	16	1	PCICLK4 (Act/Inact)
Bit 3	15	1	PCICLK3 (Act/Inact)
Bit 2	13	1	PCICLK2 (Act/Inact)
Bit 1	12	1	PCICLK1 (Act/Inact)
Bit 0	11	1	PCICLK0 (Act/Inact)

Byte 4: Control Register (1 = enable, 0 = disable)

Bit	Pin#	PWD	Description
Bit 7	-	0	(Reserved)
Bit 6	7	1	3V66_0 (Act/Inact)
Bit 5	8	1	3V66_1 (Act/Inact)
Bit 4	-	X	SEL_3V66
Bit 3	46	1	IOAPIC (Act/Inact0)
Bit 2	-	X	FS1#
Bit 1	43	1	CPUCLK1 (Act/Inact)
Bit 0	44	1	CPUCLK0 (Act/Inact)

Notes:

1. Inactive means outputs are held LOW and are disabled from switching. These outputs are designed to be configured at power-on and are not expected to be configured during the normal modes of operation.
2. PWD = Power on Default



Absolute Maximum Ratings

Core Supply Voltage	4.6 V
I/O Supply Voltage	3.6V
Logic Inputs	GND–0.5 V to V _{DD} +0.5 V
Ambient Operating Temperature	0°C to +70°C
Storage Temperature	–65°C to +150°C
Case Temperature	115°C

Stresses above those listed under *Absolute Maximum Ratings* may cause permanent damage to the device. These ratings are stress specifications only and functional operation of the device at these or any other conditions above those listed in the operational sections of the specifications is not implied. Exposure to absolute maximum rating conditions for extended periods may affect product reliability.

Electrical Characteristics - Input/Supply/Common Output Parameters

T_A = 0 - 70°C; Supply Voltage V_{DD} = 3.3 V ±5%, VDDL=2.5 V ±5% (unless otherwise stated)

PARAMETER	SYMBOL	CONDITIONS	MIN	TYP	MAX	UNITS
Input High Voltage	V _{IH}		2		V _{DD} +0.3	V
Input Low Voltage	V _{IL}		V _{SS} -0.3		0.8	V
Input High Current	I _{IH}	V _{IN} = V _{DD}	-5		5	μA
Input Low Current	I _{IL1}	V _{IN} = 0 V; Inputs with no pull-up resistors	-5	2.0		μA
Input Low Current	I _{IL2}	V _{IN} = 0 V; Inputs with pull-up resistors	-200	-100		μA
Operating Supply Current	I _{DD3.3OP}	C _L = 0 pF; Select @ 66M		60	100	mA
Power Down Supply Current	I _{DD3.3PD}	C _L = 0 pF; With input address to V _{DD} or GND		400	600	μA
Input frequency	F _i	V _{DD} = 3.3 V;		14.318		MHz
Pin Inductance	L _{pin}				7	nH
Input Capacitance ¹	C _{IN}	Logic Inputs			5	pF
	C _{out}	Out put pin capacitance			6	pF
	C _{INX}	X1 & X2 pins	27		45	pF
Transition Time ¹	T _{trans}	To 1st crossing of target Freq.			3	ms
Settling Time ¹	T _s	From 1st crossing to 1% target Freq.				ms
Clk Stabilization ¹	T _{STAB}	From V _{DD} = 3.3 V to 1% target Freq.			3	ms
Delay	t _{PZH} , t _{PZH}	output enable delay (all outputs)	1		10	ns
	t _{PLZ} , t _{PZH}	output disable delay (all outputs)	1		10	ns

¹Guarenteed by design, not 100% tested in production.



Electrical Characteristics - CPU

T_A = 0 - 70C, V_{DDL} = 2.5 V +/-5%; C_L = 10 - 20 pF (unless otherwise stated)

PARAMETER	SYMBOL	CONDITIONS	MIN	TYP	MAX	UNITS
Output Impedance	R _{DSP2B} ¹	V _O = V _{DD} *(0.5)	13.5		45	Ω
Output Impedance	R _{DSN2B} ¹	V _O = V _{DD} *(0.5)	13.5		45	Ω
Output High Voltage	V _{OH2B}	I _{OH} = -1 mA	2			V
Output Low Voltage	V _{OL2B}	I _{OL} = 1 mA			0.4	V
Output High Current	I _{OH2B}	V _{OH@MIN} = 1.0V, V _{OH@MAX} = 2.375V	-27		-27	mA
Output Low Current	I _{OL2B}	V _{OL@MIN} = 1.2V, V _{OL@MAX} = 0.3V	27		30	mA
Rise Time	t _{r2B} ¹	V _{OL} = 0.4 V, V _{OH} = 2.0 V	0.4		1.6	ns
Fall Time	t _{f2B} ¹	V _{OH} = 0.4 V, V _{OL} = 2.0 V	0.4		1.6	ns
Duty Cycle	d _{i2B} ¹	V _T = 1.25 V	45	50	55	ns
Skew	t _{sk2B} ¹	V _T = 1.25 V			175	ps
Jitter	t _{jeye-eye} ¹	V _T = 1.25 V			250	ps

¹Guaranteed by design, not 100% tested in production.

Electrical Characteristics - 3V66

T_A = 0 - 70C; V_{DD} = 3.3 V +/-5%; C_L = 10-30 pF (unless otherwise stated)

PARAMETER	SYMBOL	CONDITIONS	MIN	TYP	MAX	UNITS
Output Impedance	R _{DSP1} ¹	V _O = V _{DD} *(0.5)	12		55	Ω
Output Impedance	R _{DSN1} ¹	V _O = V _{DD} *(0.5)	12		55	Ω
Output High Voltage	V _{OHI}	I _{OH} = -1 mA	2.4			V
Output Low Voltage	V _{OLI}	I _{OL} = 1 mA			0.55	V
Output High Current	I _{OHI}	VOH@ MIN = 1.0 V, VOH@ MAX = 3.135 V	-33		-33	mA
Output Low Current	I _{OLI}	VOL@ MIN = 1.95 V, VOL@ MAX = 0.4	30		38	mA
Rise Time	t _{r1} ¹	V _{OL} = 0.4 V, V _{OH} = 2.4 V	0.4		1.6	ns
Fall Time	t _{f1} ¹	V _{OH} = 2.4 V, V _{OL} = 0.4 V	0.4		1.6	ns
Duty Cycle	d _{i1} ¹	V _T = 1.5 V	45		55	%
Skew	t _{sk1} ¹	V _T = 1.5 V			175	ps
Jitter	t _{jeye-eye}	V _T = 1.5 V			500	ps

¹Guaranteed by design, not 100% tested in production.



Preliminary Product Preview

Electrical Characteristics - IOAPIC

$T_A = 0 - 70^\circ\text{C}$; $V_{DDL} = 2.5\text{ V} \pm 5\%$; $C_L = 10 - 20\text{ pF}$ (unless otherwise stated)

PARAMETER	SYMBOL	CONDITIONS	MIN	TYP	MAX	UNITS
Output Impedance	R_{DSP4B}^1	$V_O = V_{DD}^*(0.5)$	9		30	Ω
Output Impedance	R_{DSN4B}^1	$V_O = V_{DD}^*(0.5)$	9		30	Ω
Output High Voltage	V_{OH4B}	$I_{OH} = -5.5\text{ mA}$	2			V
Output Low Voltage	V_{OL4B}	$I_{OL} = 9.0\text{ mA}$			0.4	V
Output High Current	I_{OH4B}	$V_{OH@MIN} = 1.4\text{ V}$, $V_{OH@MAX} = 2.5\text{ V}$	-36		-21	mA
Output Low Current	I_{OL4B}	$V_{OL@MIN} = 1.0\text{ V}$, $V_{OL@MAX} = 0.2$	36		31	mA
Rise Time	t_{r4B}^1	$V_{OL} = 0.4\text{ V}$, $V_{OH} = 2.0\text{ V}$	0.4		1.6	ns
Fall Time	t_{f4B}^1	$V_{OH} = 2.0\text{ V}$, $V_{OL} = 0.4\text{ V}$	0.4		1.6	ns
Duty Cycle	d_{t4B}^1	$V_T = 1.25\text{ V}$	45		55	%
Jitter	$t_{j\text{cyc-cyc}}$	$V_T = 1.25\text{ V}$			500	ps

¹Guaranteed by design, not 100% tested in production.

Electrical Characteristics - SDRAM

$T_A = 0 - 70^\circ\text{C}$; $V_{DD} = V_{DDL} = 3.3\text{ V} \pm 5\%$; $C_L = 20 - 30\text{ pF}$ (unless otherwise stated)

PARAMETER	SYMBOL	CONDITIONS	MIN	TYP	MAX	UNITS
Output Impedance	R_{DSP3}^1	$V_O = V_{DD}^*(0.5)$	10		24	Ω
Output Impedance	R_{DSN3}^1	$V_O = V_{DD}^*(0.5)$	10		24	Ω
Output High Voltage	V_{OH3}	$I_{OH} = -1\text{ mA}$	2.4			V
Output Low Voltage	V_{OL3}	$I_{OL} = 1\text{ mA}$			0.4	V
Output High Current	I_{OH3}	$V_{OH@MIN} = 2.0\text{ V}$, $V_{OH@MAX} = 3.135\text{ V}$	-54		-46	mA
Output Low Current	I_{OL3}	$V_{OL@MIN} = 1.0\text{ V}$, $V_{OL@MAX} = 0.4\text{ V}$	54		53	mA
Rise Time	T_{r3}^1	$V_{OL} = 0.4\text{ V}$, $V_{OH} = 2.4\text{ V}$	0.4		1.6	ns
Fall Time	T_{f3}^1	$V_{OH} = 2.4\text{ V}$, $V_{OL} = 0.4\text{ V}$	0.4		1.6	ns
Duty Cycle	D_{t3}^1	$V_T = 1.5\text{ V}$	45		55	%
Skew	T_{sk3}^1	$V_T = 1.5\text{ V}$			250	ps
Jitter	$t_{j\text{cyc-cyc}}$	$V_T = 1.5\text{ V}$			250	ps

¹Guaranteed by design, not 100% tested in production.



Electrical Characteristics - PCI

T_A = 0 - 70C; V_{DD} = 3.3 V +/-5%; C_L = 10-30 pF (unless otherwise stated)

PARAMETER	SYMBOL	CONDITIONS	MIN	TYP	MAX	UNITS
Output Impedance	R _{DSP1} ¹	V _O = V _{DD} *(0.5)	12		55	Ω
Output Impedance	R _{DSN1} ¹	V _O = V _{DD} *(0.5)	12		55	Ω
Output High Voltage	V _{OH1}	I _{OH} = -1 mA	2.4			V
Output Low Voltage	V _{OL1}	I _{OL} = 1 mA			0.55	V
Output High Current	I _{OH1}	VOH@ MIN = 1.0 V, VOH@ MAX = 3.135 V	-33		-33	mA
Output Low Current	I _{OL1}	VOL@ MIN = 1.95 V, VOL@ MAX = 0.4	30		38	mA
Rise Time	t _{r1} ¹	V _{OL} = 0.4 V, V _{OH} = 2.4 V	0.5		2	ns
Fall Time	t _{f1} ¹	V _{OH} = 2.4 V, V _{OL} = 0.4 V	0.5		2	ns
Duty Cycle	d _{t1} ¹	V _T = 1.5 V	45		55	%
Skew	t _{sk1} ¹	V _T = 1.5 V			500	ps
Jitter	t _{jeye-eye}	V _T = 1.5 V			500	ps

¹Guaranteed by design, not 100% tested in production.

Electrical Characteristics - 48M, REF

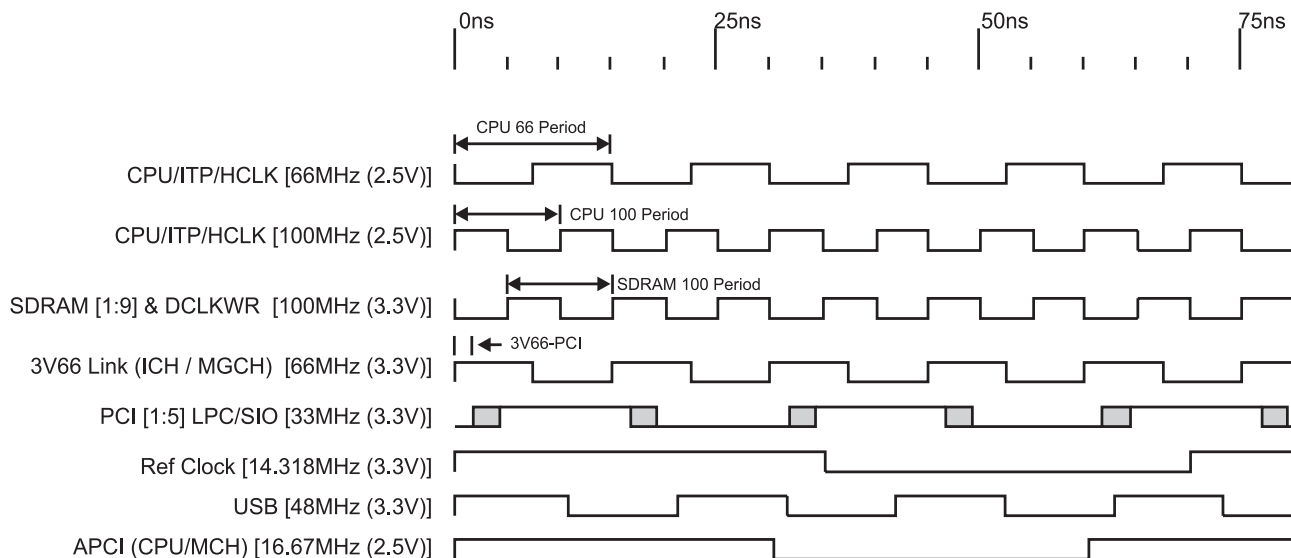
T_A = 0 - 70C; V_{DD} = V_{DDL} = 3.3 V +/-5%; C_L = 10 -20 pF (unless otherwise stated)

PARAMETER	SYMBOL	CONDITIONS	MIN	TYP	MAX	UNITS
Output Impedance	R _{DSP5} ¹	V _O = V _{DD} *(0.5)	20		60	Ω
Output Impedance	R _{DSN5} ¹	V _O = V _{DD} *(0.5)	20		60	Ω
Output High Voltage	V _{OH5}	I _{OH} = 1 mA	2.4			V
Output Low Voltage	V _{OL5}	I _{OL} = -1 mA			0.4	V
Output High Current	I _{OH5}	V _{OH@MIN} =1 V, V _{OH@MAX} = 3.135 V	-29		-23	mA
Output Low Current	I _{OL5}	V _{OL@MIN} =1.95 V, V _{OL@MIN} =0.4 V	29		27	mA
Rise Time	t _{r5} ¹	V _{OL} = 0.4 V, V _{OH} = 2.4 V		1.8	4	ns
Fall Time	t _{f5} ¹	V _{OH} = 2.4 V, V _{OL} = 0.4 V		1.7	4	ns
Duty Cycle	d _{t5} ¹	V _T = 1.5 V	45		55	%
Jitter	t _{jeye-eye} ¹	V _T = 1.5 V; Fixed Clocks			500	ps
	t _{jeye-eye} ¹	V _T = 1.5 V; Ref Clocks			1000	ps
Skew	T _{sk}	V _T = 1.5 V			250	ps

¹Guaranteed by design, not 100% tested in production.

ICS9248-78

Preliminary Product Preview

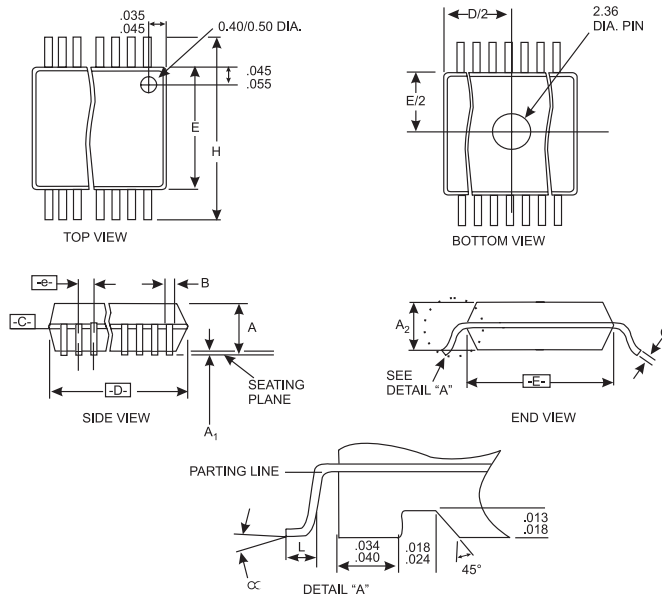


Group Offset Waveforms

Group Skews at Common Transition Edges:

CPU & IOAPIC load (lumped) = 20pf; PCI, SDRAM, 3V66 LOAD (LUMPED) = 30pf.

GROUP	SYMBOL	CONDITIONS	MIN	TYP	MAX	UNITS
CPU (at 66MHz) to 3V66	$S_{CPU1-3V66}$	CPU @ 1.25V, 3V66 @ 1.5V (Note: 180° offset between CPU & 3V66)	0		500	ps
CPU (at 100MHz) to SDRAM	$S_{CPU2-SDRAM}$	CPU @ 1.25V, SDRAM @ 1.5V (Note: 180° offset between CPU & 66MHz)	0		500	ps
3V66 to PCI	$S_{3V66-PCI}$	3V66 @ 1.5V, PCI @ 1.5V	1.5	2.1	4	ns
IOAPIC to PCI	$S_{IOAPIC-PCI}$	IOAPIC @ 1.25V, PCI @ 1.5V	0		500	ps



SSOP Package

SYMBOL	COMMON DIMENSIONS			VARIATIONS	D			N
	MIN.	NOM.	MAX.		MIN.	NOM.	MAX.	
A	.095	.101	.110	AC	.620	.625	.630	48
A1	.008	.012	.016					
A2	.088	.090	.092					
B	.008	.010	.0135					
C	.005	-	.010					
D	See Variations							
E	.292	.296	.299					
e	0.025 BSC							
H	.400	.406	.410					
h	.010	.013	.016					
L	.024	.032	.040					
N	See Variations							
∞	0°	5°	8°					
X	.085	.093	.100					

Ordering Information

ICS9248yF-78

Example:

ICS XXXX y F - PPP

