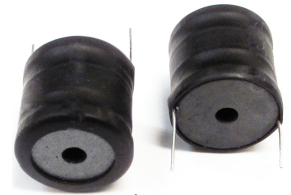


RADIAL DRUM CORE POWER CHOKE

AIRD-02



RoHS
Compliant



21.0 x φ21.0 mm

FEATURES:

- Ferrite core with UL tube
- Wire wound construction
- High current, low DCR

APPLICATIONS:

- Electronic Appliance
- Power Supplies
- TRIAC/SCR Control Circuits

STANDARD SPECIFICATIONS

Operating Temperature: -25°C~ +85°C

Storage Temperature: -25°C~ +125°C

| Part Number | Inductance | Tolerance | DCR (Max) | Saturation Current (Max) | Temperature Rise Current (Max) |
|-------------|------------|-----------|-----------|--------------------------|--------------------------------|
| Units | μH | % | Ω | A | A |
| Symbol | L | K, M | DCR | Isat* | Irms* |
| AIRD-02-1R0 | 1.0 | K, M | 0.003 | 108 | 11.4 |
| AIRD-02-1R2 | 1.2 | K, M | 0.003 | 108 | 11.4 |
| AIRD-02-1R5 | 1.5 | K, M | 0.003 | 83 | 11.4 |
| AIRD-02-1R8 | 1.8 | K, M | 0.003 | 68 | 11.4 |
| AIRD-02-2R2 | 2.2 | K, M | 0.004 | 68 | 11.4 |
| AIRD-02-2R7 | 2.7 | K, M | 0.005 | 58 | 11.4 |
| AIRD-02-3R3 | 3.3 | K, M | 0.005 | 58 | 11.4 |
| AIRD-02-3R9 | 3.9 | K, M | 0.005 | 50 | 11.4 |
| AIRD-02-4R7 | 4.7 | K, M | 0.005 | 50 | 11.4 |
| AIRD-02-5R6 | 5.6 | K, M | 0.006 | 44 | 11.4 |
| AIRD-02-6R8 | 6.8 | K, M | 0.007 | 39 | 11.4 |
| AIRD-02-8R2 | 8.2 | K, M | 0.007 | 36 | 11.4 |
| AIRD-02-100 | 10 | K | 0.009 | 30 | 11.4 |
| AIRD-02-120 | 12 | K | 0.009 | 27 | 11.4 |
| AIRD-02-150 | 15 | K | 0.013 | 25 | 9.0 |
| AIRD-02-180 | 18 | K | 0.018 | 22 | 7.2 |
| AIRD-02-220 | 22 | K | 0.019 | 21 | 7.2 |
| AIRD-02-270 | 27 | K | 0.026 | 20 | 5.5 |
| AIRD-02-330 | 33 | K | 0.029 | 18 | 5.5 |
| AIRD-02-390 | 39 | K | 0.030 | 17 | 5.5 |
| AIRD-02-470 | 47 | K | 0.035 | 15 | 5.5 |
| AIRD-02-560 | 56 | K | 0.039 | 13 | 5.5 |
| AIRD-02-680 | 68 | K | 0.053 | 12 | 4.8 |
| AIRD-02-820 | 82 | K | 0.060 | 11 | 4.8 |
| AIRD-02-101 | 100 | K | 0.080 | 10 | 4.0 |
| AIRD-02-121 | 120 | K | 0.090 | 9.4 | 4.0 |
| AIRD-02-151 | 150 | K | 0.098 | 8.6 | 4.0 |
| AIRD-02-181 | 180 | K | 0.110 | 7.8 | 4.0 |
| AIRD-02-221 | 220 | K | 0.150 | 7.0 | 2.8 |
| AIRD-02-271 | 270 | K | 0.213 | 6.3 | 2.0 |
| AIRD-02-331 | 330 | K | 0.305 | 5.2 | 1.6 |
| AIRD-02-391 | 390 | K | 0.320 | 4.9 | 1.6 |
| AIRD-02-471 | 470 | K | 0.355 | 4.5 | 1.6 |
| AIRD-02-561 | 560 | K | 0.388 | 4.1 | 1.6 |
| AIRD-02-681 | 680 | K | 0.430 | 3.7 | 1.6 |
| AIRD-02-821 | 820 | K | 0.590 | 3.4 | 1.3 |
| AIRD-02-102 | 1000 | K | 0.818 | 3.1 | 1.0 |
| AIRD-02-122 | 1200 | K | 1.140 | 2.7 | 0.8 |
| AIRD-02-152 | 1500 | K | 1.260 | 2.4 | 0.8 |
| AIRD-02-182 | 1800 | K | 1.390 | 2.2 | 0.8 |
| AIRD-02-222 | 2200 | K | 1.540 | 2.0 | 0.8 |

Test Conditions and equipments

Test frequency: 1KHz, 0.1Vrms

DCR: QuadTech Milliohmmeter

Isat: 10% inductance drops from initial value

Irms: ΔT of 40°C temperature rise max

ABRACON IS
ISO 9001:2008
CERTIFIED



ABRACON
CORPORATION

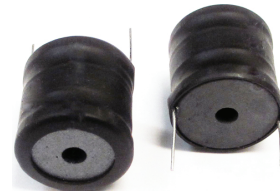
Visit www.abracon.com for Terms & Conditions of Sale **Revised: 07.31.12**
30332 Esperanza, Rancho Santa Margarita, California 92688
tel 949-546-8000 | fax 949-546-8001 | www.abracon.com

RADIAL DRUM CORE POWER CHOKE

AIRD-02



RoHS
Compliant



21.0 x ϕ 21.0 mm

PART NUMBER IDENTIFICATION

AIRD-02-

*1.0 ~ 8.2 μ H: K and M
10 ~ 2200 μ H: K only

Inductance Code

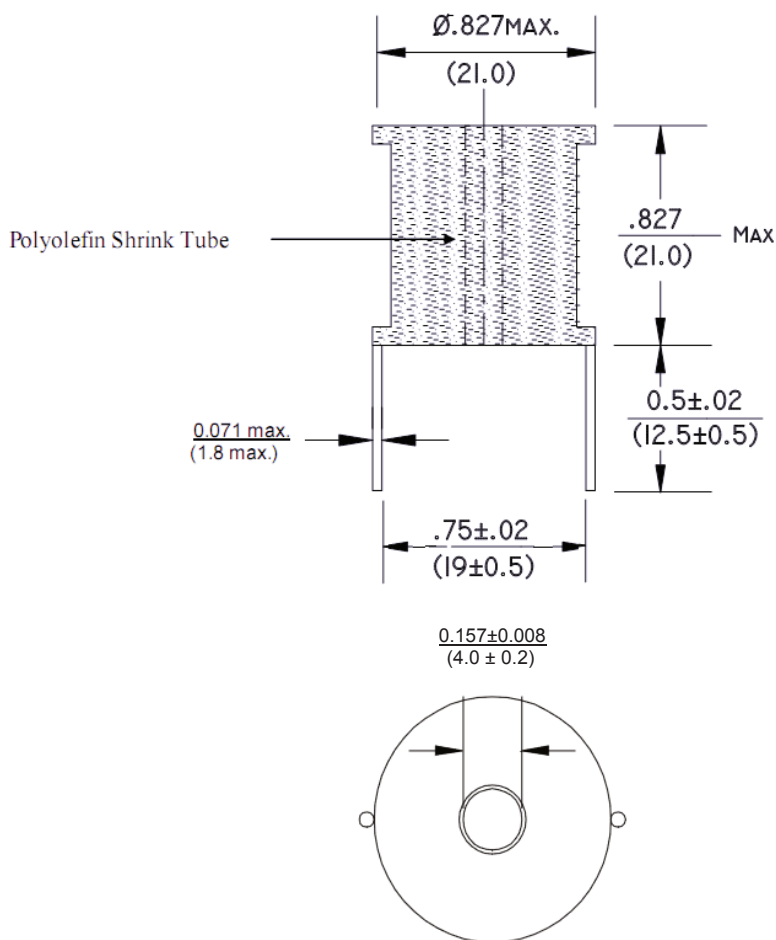
Please refer to the
Electrical Spec Table

Tolerance

M: $\pm 20\%^*$

K: $\pm 10\%^*$

OUTLINE DIMENSION:



Dimension: inch (mm)

ATTENTION: Abracon Corporation's products are COTS – Commercial-Off-The-Shelf products; suitable for Commercial, Industrial and, where designated, Automotive Applications. Abracon's products are not specifically designed for Military, Aviation, Aerospace, Life-dependant Medical applications or any application requiring high reliability where component failure could result in loss of life and/or property. For applications requiring high reliability and/or presenting an extreme operating environment, written consent and authorization from Abracon Corporation is required. Please contact Abracon Corporation for more information.

ABRACON IS
ISO 9001:2008
CERTIFIED



Visit www.abracon.com for Terms & Conditions of Sale
30332 Esperanza, Rancho Santa Margarita, California 92688
tel 949-546-8000 | fax 949-546-8001 | www.abracon.com

Revised: 07.31.12