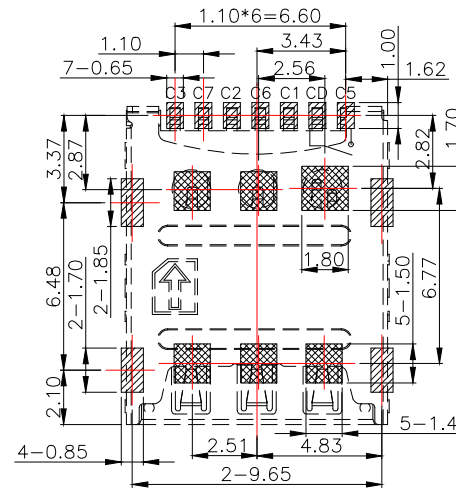


NANO SIM CARD	
Pin No.	NAME
C1	VCC OF SIM
C2	RST OF SIM
C3	CLK OF SIM
C5	GND OF SIM
C6	VPP OF SIM
C7	I/O OF SIM
C4/C8	N/A
CD	DETECTION SWITCH

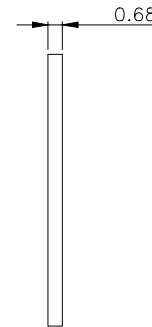
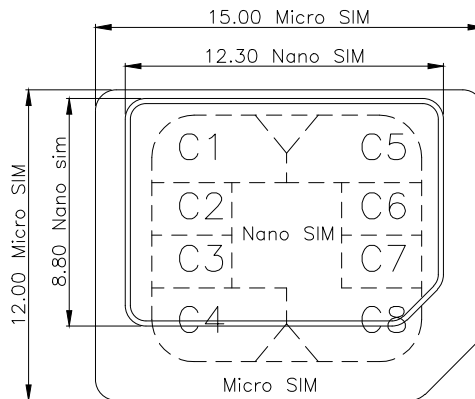
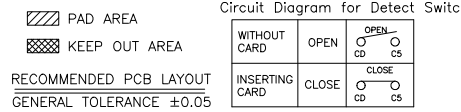


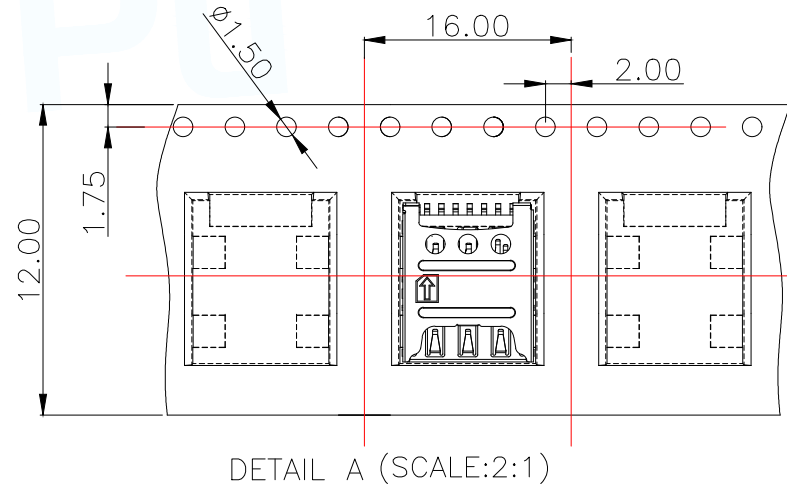
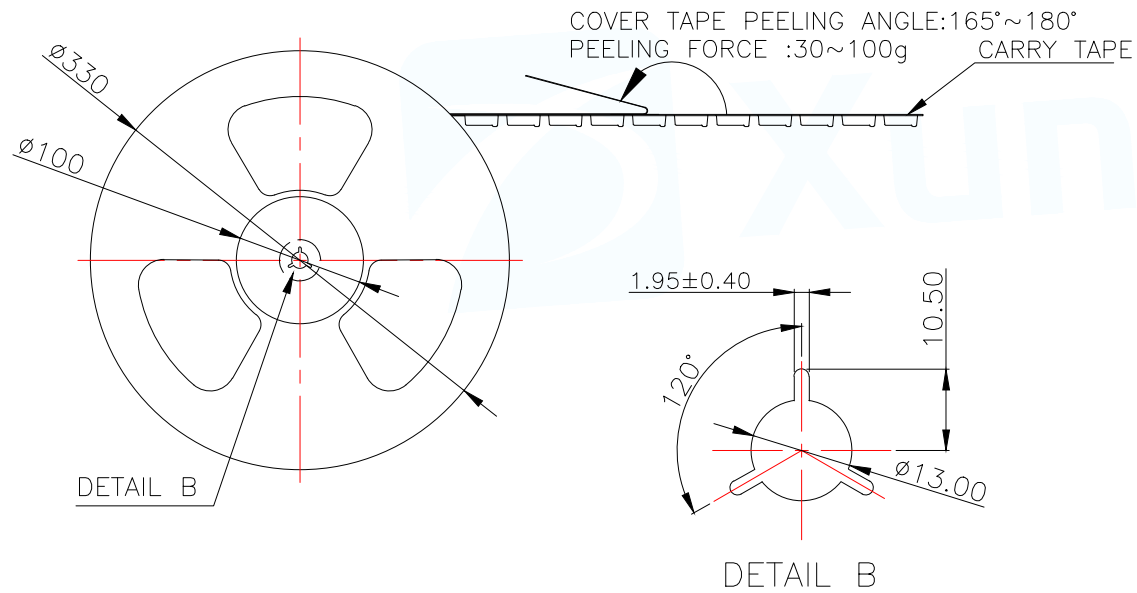
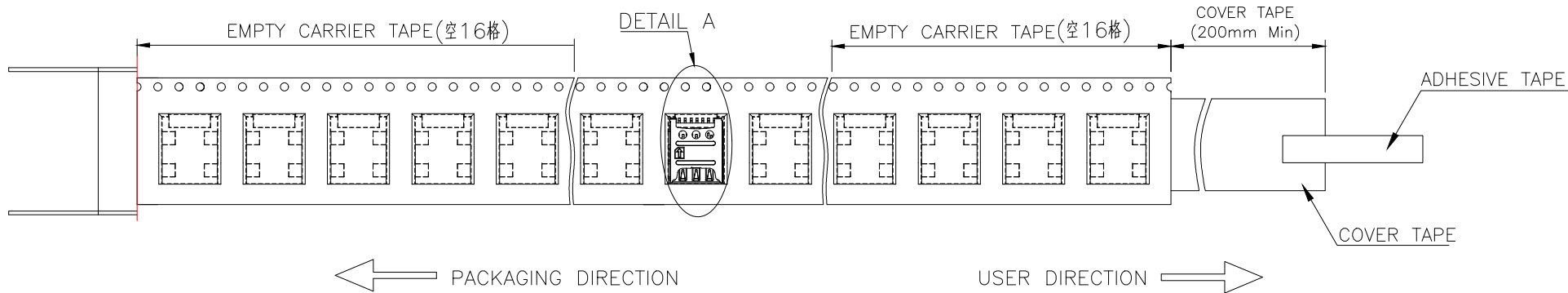
NOTES:

- Material :
 - LATCH : SUS304R-H,T=0.10mm
 - Contact: C5210R-SH,T=0.10mm
 - Housing : LCP UL 94V-0, Color Black.
- Finish: See Remark
- Marked ▲ : Critical Dimensions.
- All Contact Coplanarity Must Be Checked One By One.

③	SHELL	半金镍, 1U" Au Min.	1
②	CONTACT	半金镍, 1U" Au Min.	1
①	HOUSING	LCP S475	1
ITEM	NAME	FINISH	QUANTITY/EACH

MANUFACTURE DWG				
UNLESS OTHERWISE SPECIFIED TOLERANCES			TITLE: 1.25H 7PIN NANO SIM CARD CONN.	
DECIMALS:	ANGLES:	PAR	SMN-301-ARP7	
X.: ±0.20	X': ±2°	DWN		
X.X: ±0.15	X.X': ±1°	CHKD		
X.XX: ±0.10		APVD		
		SCALE: 1:1	UNIT: MM	
		CUSTOMER COPY	SIZE: A4	
			SHEET: 1F1	REV: A





1	SMN-301-ARP7	2200	12	26400	340X340X352
ITEM	PRODUCT NO.	QTY/REEL	REEL/CARTON	QTY/CARTON	CARTON SIZE

MANUFACTURE DWG		东莞市讯普电子科技有限公司 DongGuan XunPu Electronics Co.,Ltd	
UNLESS OTHERWISE SPECIFIED TOLERANCES			TITLE:1.25H 7PIN NANO SIM CARD CONN.封装图
DECIMALS:	ANGLES:		PAR SMN-301-ARP7
X.:±0.20	X':±2°		DWN
X.X:±0.15	X.X':±1°		CHKD
X.XX:±0.10		CUSTOMER COPY	APVD
			SCALE1:1 UNIT:MM
			SIZE:A4 SHEET:1F1
			REV:A