

**Type: TFB-2LDG**

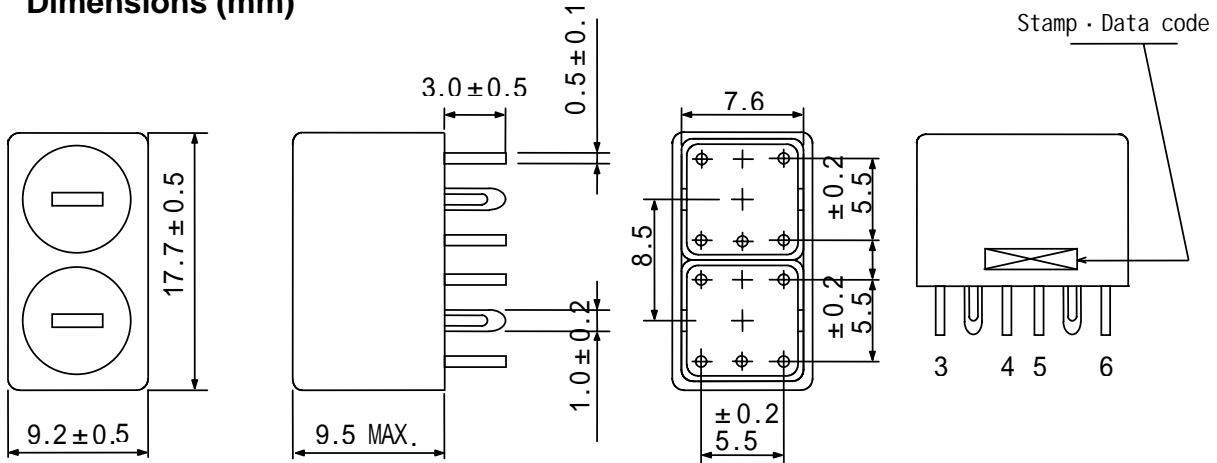
**Product Description**

- 18.2 × 9.7mm Max.(L × W), 9.5mm Max. Height.
- Operating frequency: 10~200kHz
- In addition to the reference versions of parameters shown here, custom designs are available to meet your exact requirements

**Feature**

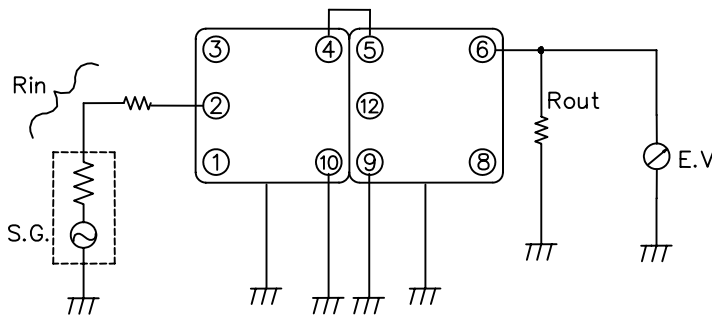
- Variable shielded type with two individual coils combined.
- Two capacitors can be internally mounted in one section.
- Ideally used in VCR, Video Cameras as Audio LC filters(LPF, BPF, Delay Line and Equalizers).
- RoHS Compliance

**Dimensions (mm)**



- \* Dimension does not include solder used on coil.
- \* Pin pitch should be measured at the root of terminal.
- \* Dimensions without tolerance are approx.

**Testing circuit** (Combined with TFB-2LDG)



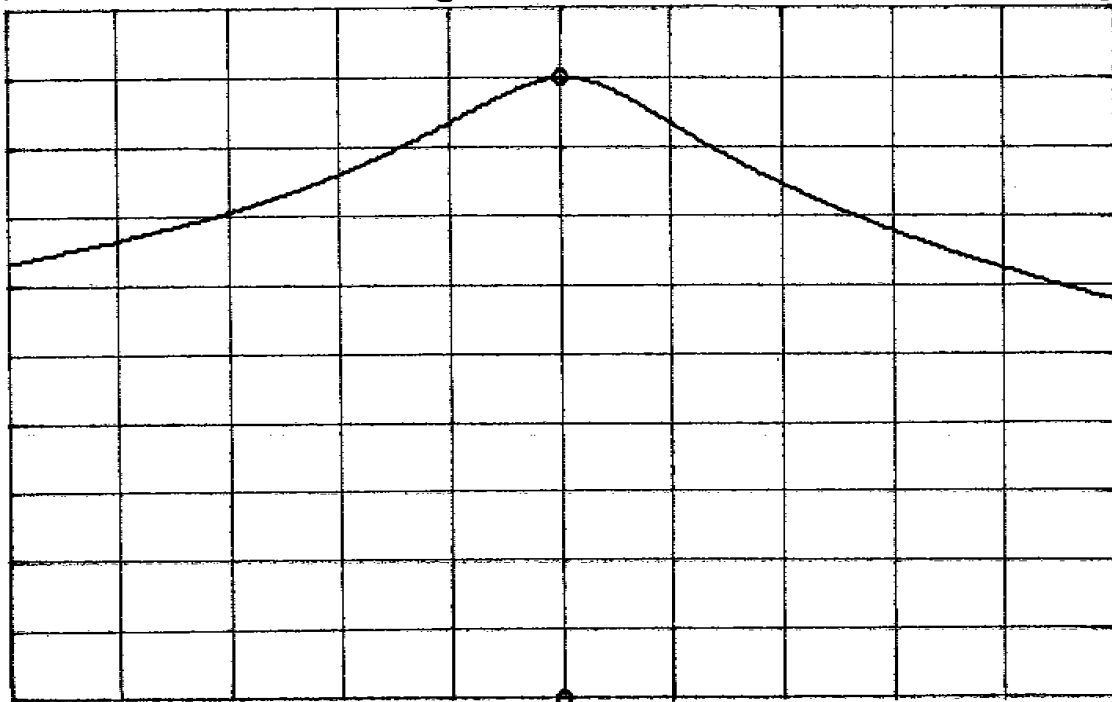
Type: TFB-2LDG

**Specification**(Part No: 4507-T017)

Item	Specification	
Input impedance (Rin)	12kΩ	
Output impedance (Rout)	12kΩ	
Center frequency	112kHz	
Band width (-3dB)	2.4kHz (Typ.)	
Attenuation	100kHz	29dB (Typ.)
	124kHz	36dB (Typ.)
Insertion loss	112kHz	8.5dB (Typ.)

**Frequency Response** (Attenuation 0dB at 112KHz)

A: T/R (dB) B:  $\theta$  o MKR 112 000.000 Hz  
 A MAX 1.400 dB GAIN -8.48870 dB  
 B MAX 250.0 deg PHASE deg



A/DIV 10.00 dB CENTER 112 000.000 Hz  
 B/DIV 50.00 deg SPAN 20 000.000 Hz  
 PSCALE=1400, 850, 8500, 7200