

**PLEASE CHECK WWW.MOLEX.COM FOR LATEST PART INFORMATION**

**Part Number:** [0743002143](#)  
**Status:** **Active**  
**Overview:** [hdm](#)  
**Description:** 2.00mm (.079") Pitch HDM® Board-to-Board Daughtercard Receptacle, Vertical, Signal Module, with Guide, 72 Circuits, Mounted Height 13.00mm (.512"), Press-Fit Pin Length 3.00mm (.118")

**Documents:**

[3D Model](#) [Product Specification PS-73780-999 \(PDF\)](#)  
[Drawing \(PDF\)](#) [RoHS Certificate of Compliance \(PDF\)](#)

**General**

|                |                         |
|----------------|-------------------------|
| Product Family | Backplane Connectors    |
| Series         | <a href="#">74300</a>   |
| Application    | Daughtercard, Mezzanine |
| Component Type | PCB Receptacle          |
| Overview       | <a href="#">hdm</a>     |
| Product Name   | HDM®                    |
| Style          | N/A                     |

**Physical**

|                                |                                |
|--------------------------------|--------------------------------|
| Circuits (Loaded)              | 72                             |
| Circuits (maximum)             | 72                             |
| Color - Resin                  | Black                          |
| Durability (mating cycles max) | 250                            |
| First Mate / Last Break        | No                             |
| Guide to Mating Part           | Yes                            |
| Keying to Mating Part          | None                           |
| Material - Metal               | Copper-Nickel-Tin              |
| Material - Plating Mating      | Gold                           |
| Material - Plating Termination | Tin-Lead                       |
| Material - Resin               | High Temperature Thermoplastic |
| Number of Columns              | 12                             |
| Number of Pairs                | Open Pin Field                 |
| Number of Rows                 | 6                              |
| Orientation                    | Vertical                       |
| PC Tail Length (in)            | 0.118 In                       |
| PC Tail Length (mm)            | 3.00 mm                        |
| PCB Locator                    | No                             |
| PCB Retention                  | None                           |
| PCB Thickness Recommended (in) | 0.063 In                       |
| PCB Thickness Recommended (mm) | 1.60 mm                        |
| Packaging Type                 | Tube                           |
| Pitch - Mating Interface (in)  | 0.079 In                       |
| Pitch - Mating Interface (mm)  | 2.00 mm                        |
| Pitch - Term. Interface (in)   | 0.079 In                       |
| Pitch - Term. Interface (mm)   | 2.00 mm                        |
| Plating min: Mating (µin)      | 30                             |
| Plating min: Mating (µm)       | 0.76                           |
| Plating min: Termination (µin) | 30                             |
| Plating min: Termination (µm)  | .88                            |
| Polarized to PCB               | No                             |
| Stackable                      | Yes                            |
| Surface Mount Compatible (SMC) | Yes                            |
| Temperature Range - Operating  | -55°C to +105°C                |
| Termination Interface: Style   | Through Hole - Compliant Pin   |

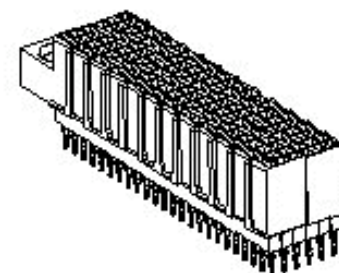


image - Reference only

Series

**EU RoHS**

**RoHS Compliant by Exemption**

**REACH SVHC**

**Contains SVHC: No**

**Halogen-Free**

**Status**

**Halogen-Free**

**China RoHS**



Pb

**Need more information on product environmental compliance?**

Email [productcompliance@molex.com](mailto:productcompliance@molex.com)  
 For a multiple part number RoHS Certificate of Compliance, [click here](#)

Please visit the [Contact Us](#) section for any non-product compliance questions.

**Search Parts in this Series**

[74300Series](#)

**Mates With**

HDM® Board-to-Board Backplane Header  
[73642](#) , [73643](#) , [73644](#) , [74349](#) , [74428](#) ,  
[73769](#) , [73781](#) , [73770](#) , [73782](#) , [73783](#) ,  
[73771](#)

**Electrical**

|                               |          |
|-------------------------------|----------|
| Current - Maximum per Contact | 1A       |
| Data Rate                     | 1.0 Gbps |
| Real Signals (per 25mm)       | 76       |
| Shielded                      | Yes      |
| Voltage - Maximum             | 250V AC  |

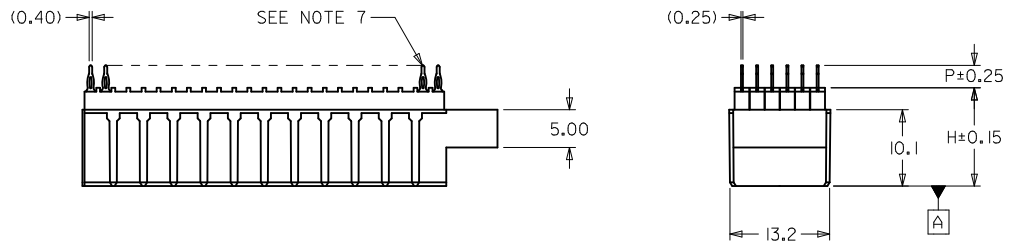
**Material Info****Reference - Drawing Numbers**

|                       |              |
|-----------------------|--------------|
| Product Specification | PS-73780-999 |
| Sales Drawing         | SD-74300-002 |

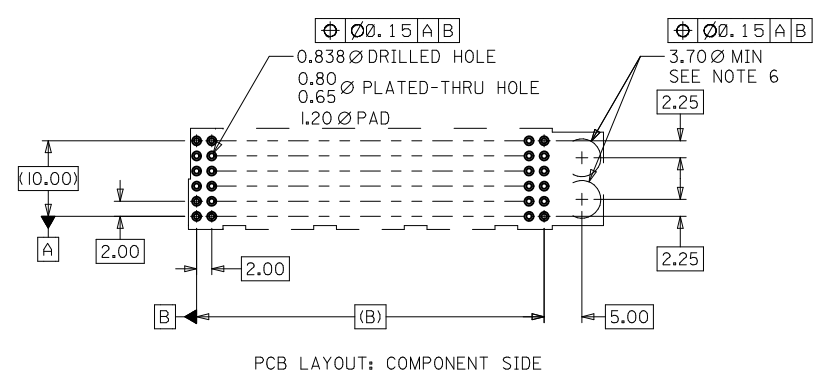
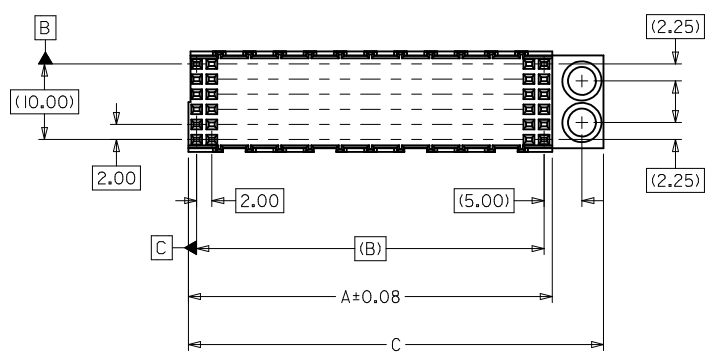
HDM and High Density Metric are trademarks of Amphenol Corporation

This document was generated on 05/25/2010

**PLEASE CHECK [WWW.MOLEX.COM](http://WWW.MOLEX.COM) FOR LATEST PART INFORMATION**

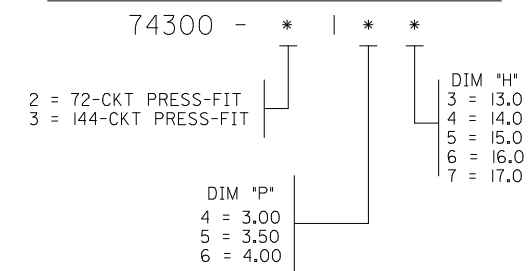


- NOTES:
1. MATERIALS: HOUSING - LIQUID CRYSTAL POLYMER (LCP) BLACK  
TERMINALS - HIGH PERFORMANCE COPPER ALLOY
  2. FINISH: SELECTIVE GOLD (Au) IN CONTACT AREA.  
2.50 MICROMETER MINIMUM THICKNESS.  
SELECTIVE TIN/LEAD (Sn/Pb) ON PRESS FIT TAILS.  
0.88 MICROMETER MINIMUM THICKNESS.  
NICKEL OVERALL.
  3. THIS PART CONFORMS TO MOLEX PRODUCT SPEC PS-73780-999.
  4. 144 CKT STACKING MODULE SHOWN FOR ILLUSTRATION PURPOSES.  
SEE CHART FOR TABULATED DIMENSIONS.
  5. 74300-\*\*\*7 PARTS TO BE PACKAGED IN TUBES PER PK-70873-0872.  
ALL OTHER PARTS TO BE PACKAGED IN TUBES PER PK-70873-0900.
  6. DEPENDING ON APPLICATION, THIS HOLE MAY BE NEEDED FOR  
CLEARANCE OF BACKPLANE GUIDE PIN. LOCATION OF HOLE WILL  
DEPEND ON LOCATION OF GUIDE PIN.
  7. TRUE POSITION OF TAILS IS INSPECTED USING GAGE NUMBER  
73727-0014.
  8. THIS PART CONFORMS TO MOLEX COSMETIC SPEC PS-45499-002 CLASS B.



PCB LAYOUT: COMPONENT SIDE

MATERIAL NUMBER ASSIGNMENT



|                 |              |       |       |       |
|-----------------|--------------|-------|-------|-------|
| 74300 - 31**    | 144          | 48.17 | 46.00 | 54.95 |
| 74300 - 21**    | 72           | 24.17 | 22.00 | 30.95 |
| MATERIAL NUMBER | CIRCUIT SIZE | DIM A | DIM B | DIM C |

|  |                                      |   |  |                            |                    |  |                        |                          |                              |                     |   |  |
|--|--------------------------------------|---|--|----------------------------|--------------------|--|------------------------|--------------------------|------------------------------|---------------------|---|--|
| UPDATE TO LEADED ONLY<br>EC NO: UCP2010-1860<br>DRWN: JELTON 2010/01/25<br>CHKD: SDANNELLEY 2006/02/14<br>APPR: SMILLER 2010/02/08 | QUALITY SYMBOLS<br>▽=0<br>▽=0<br>▽=0 | GENERAL TOLERANCES (UNLESS SPECIFIED)   |  | DIMENSION STYLE<br>MM ONLY |                    | SCALE  | DESIGN UNITS<br>METRIC | THIRD ANGLE PROJECTION   |                              |                     |   |  |
|  |                                      | 4 PLACES ± --- ± ---<br>3 PLACES ± --- ± ---<br>2 PLACES ± --- ± ---<br>1 PLACE ± --- ± --- | mm INCH<br>± --- ± ---<br>± --- ± ---<br>± --- ± --- | DRAWN BY<br>JJONIAK        | DATE<br>2006/02/14 | TITLE<br>SALES ASSY, HDM LEADED DAUGHTERCARD STACKING MODULE, GUIDE OPTION |                        | MOLEX MOLEX INCORPORATED |                              | SHEET NO.<br>1 OF 1 |   |  |
|  |                                      | ANGULAR ±1/2°   |  | CHECKED BY<br>SREED        | DATE<br>2006/02/14 | APPROVED BY<br>SMILLER   |                        | DATE<br>2010/02/08       | DOCUMENT NO.<br>SD-74300-002 |                     | THIS DRAWING CONTAINS INFORMATION THAT IS PROPRIETARY TO MOLEX INCORPORATED AND SHOULD NOT BE USED WITHOUT WRITTEN PERMISSION |  |
|  |                                      | DRAFT WHERE APPLICABLE MUST REMAIN WITHIN DIMENSIONS  |  | SEE TABLE                  |                    | MATERIAL NO.   |                        | DIMENSIONS               |                              | DIMENSIONS          |   |  |