

VI-HAM

AC INPUT HARMONIC ATTENUATOR MODULE

Features

- Unity power factory
- Safety agency approvals: UL478, 544, 1950; CSA22.2 No. 234; EN60950
- Meets EN61000-3-2 for line current harmonic content
- Universal input: 85–264VAC: 50/60Hz
- Input surge current limiting
- 90–94% efficiency (typical)
- UL, CSA, TUV, CE, C-Tick



Specifications

INPUT

Input voltage	85–264VAC
Frequency (400Hz optional)	47Hz–63Hz
Power factor	0.99
Harmonic distortion	<8.5%
Inrush current (240VAC)	20A

NOTE All VI-HAM versions must be preceded by three transorbs in series directly across the input. Also use 10A 3AG fast blow fuse ahead of line filter.

OUTPUT

Output power	600/675W
Output ripple (pk-pk)	7mV pk-pk
Holdup capacitance	420–3000µF
Short circuit protection	Yes

MECHANICAL

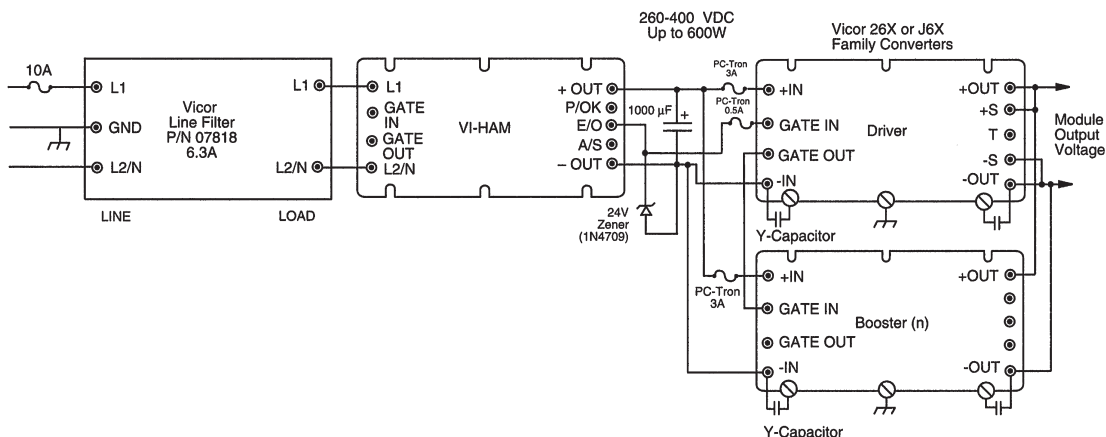
Dimensions	117x61x12.7mm
------------	---------------

OPERATING

Efficiency	90%–94%
Isolation	Input – Output: Zero Input – Baseplate – Output: 2500V rms
Baseplate operating temperature	85°C
Thermal shutdown	90°C to 100°C

Typical Application

VI-HAM



STANDARDS AND APPROVALS

Power factor correction	EN60555
Safety	UL1283, CSA C22.2 No.8, TÜV, VDE0560
EMI	The Ham required an external filter P/N07818 to meet IEC801-5 Level 3, EN55022 Level A, AS/N25 2064 class A
C-Tick	AS/NZS CISPR11 Group 1 Class A

Part Numbering



If power requirements exceed one HAM, use a HAMD and one or more BAMDs, with an external bridge rectifier. HAM, HAMD, and BAMD modules require three surge suppressors in series directly across the input. These surge suppressors are already contained in the EMI filter P/N 30205. Also use a 10A, 3AG fast-blow fuse ahead of the line filter.
* Compatible with V375 series.

PRODUCT GRADE	BASEPLATE OPERATING TEMP	STORAGE TEMPERATURE	TYPICAL SAMPLE
E-Grade	-10°C to +85°C	-20°C to +100°C	VI-HAM-EM
C-Grade	-20°C to +85°C	-40°C to +100°C	VI-HAM-CM
I-Grade	-40°C to +85°C	-55°C to +100°C	VI-HAM-IM
M-Grade	-55°C to +85°C	-65°C to +100°C	VI-HAM-MM