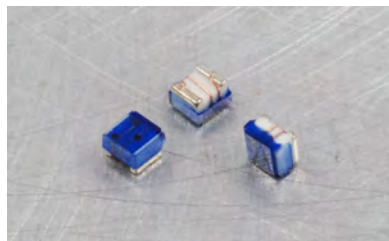
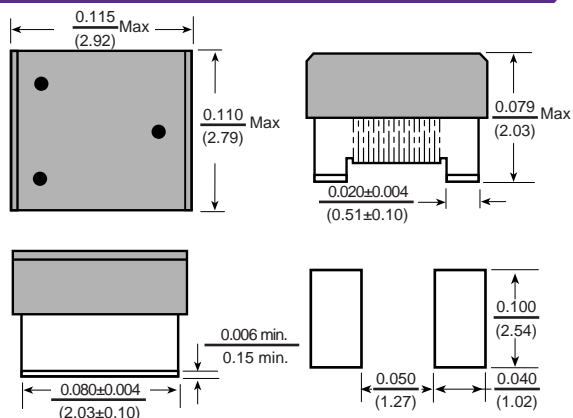




Ceramic Core Chip Inductors CC10



Dimensions: $\frac{\text{Inches}}{\text{(mm)}}$



Allied Part Number	Inductance (nh)	Tolerance (%)	Test Freq.	Q Min.	Test Freq. (MHz)	SRF Min. (MHz)	DCR Max. (Ω)	Rated Current (mA)
CC10-10NK-RC	10	10	50	50	500	4100	0.08	1000
CC10-12NK-RC	12	10	50	50	500	3300	0.09	1000
CC10-15NK-RC	15	10	50	50	500	2500	0.10	1000
CC10-18NK-RC	18	10	50	50	350	2500	0.11	1000
CC10-22NJ-RC	22	5	50	55	350	2400	0.12	1000
CC10-27NJ-RC	27	5	50	55	350	1600	0.13	1000
CC10-33NJ-RC	33	5	50	60	350	1600	0.14	1000
CC10-39NJ-RC	39	5	50	60	350	1500	0.15	1000
CC10-47NJ-RC	47	5	50	65	350	1500	0.16	1000
CC10-56NJ-RC	56	5	50	65	350	1300	0.18	1000
CC10-68NJ-RC	68	5	50	65	350	1300	0.20	1000
CC10-82NJ-RC	82	5	50	60	350	1000	0.22	1000
CC10-100NJ-RC	100	5	25	60	350	1000	0.56	650
CC10-120NJ-RC	120	5	25	60	350	950	0.63	650
CC10-150NJ-RC	150	5	25	45	100	850	0.70	580
CC10-180NJ-RC	180	5	25	45	100	750	0.77	620
CC10-220NJ-RC	220	5	25	45	100	700	0.84	500
CC10-270NJ-RC	270	5	25	45	100	600	0.91	500
CC10-330NJ-RC	330	5	25	45	100	570	1.05	450
CC10-390NJ-RC	390	5	25	45	100	500	1.12	470
CC10-470NJ-RC	470	5	25	45	100	450	1.19	470
CC10-560NJ-RC	560	5	25	45	100	415	1.33	400
CC10-620NJ-RC	620	5	25	45	100	375	1.40	300
CC10-680NJ-RC	680	5	25	45	100	375	1.47	400
CC10-750NJ-RC	750	5	25	45	100	360	1.54	360
CC10-820NJ-RC	820	5	25	45	100	350	1.61	400
CC10-910NJ-RC	910	5	25	35	50	320	1.68	380
CC10-1000NJ-RC	1000	5	25	35	50	290	1.75	370
CC10-1200NJ-RC	1200	5	7.9	35	50	250	2.00	310
CC10-1500NJ-RC	1500	5	7.9	28	50	200	2.30	330
CC10-1800NJ-RC	1800	5	7.9	28	50	160	2.60	300
CC10-2200NJ-RC	2200	5	7.9	28	50	160	2.80	280
CC10-2700NJ-RC	2700	5	7.9	22	25	140	3.20	290
CC10-3300NJ-RC	3300	5	7.9	22	25	110	3.40	290
CC10-3900NJ-RC	3900	5	7.9	20	25	100	3.60	260
CC10-4700NJ-RC	4700	5	7.9	20	25	90	4.00	260
CC10-5600NJ-RC	5600	5	7.9	18	7.9	45	4.00	240
CC10-6800NJ-RC	6800	5	7.9	18	7.9	40	4.90	200
CC10-8200NJ-RC	8200	5	7.9	18	7.9	25	6.00	170
CC10-10000NJ-RC	10000	5	2.52	18	7.9	25	8.00	150
CC10-15000NJ-RC	15000	5	2.52	15	7.9	20	11.00	100

Features

- 1008 size suitable for pick and place automation
- Low Profile under 2.03mm
- Ceramic core provide high self resonant frequency.
- High Q values at high frequencies
- Ceramic core also provides excellent thermal and batch consistency

Electrical

Inductance Range: 10nH to 15,000nH
Tolerance: 5% over entire range, except 10nH thru 18nH they are available in 10%
 Most values available in tighter tolerances
Test Frequency: At specified frequency with Test OSC @ 200mV
Operating Temp: -40°C ~ 125°C
Irms: Based on 15°C temperature rise @ 25° Ambient.

Resistance to Soldering Heat

Test Method: Reflow Solder the device onto PCB
 Peak Temp: 260°C \pm 5°C for 10 sec.
 Solder Composition: Sn/Ag3.0/Cu0.5
 Total test time: 6 minutes

Test Equipment

(L/Q): HP4286A / HP4287A /Agilent E4991A
(SRF): HP8753D / Agilent E4991
(RDC): Chen Hwa 502BC
Irms: HP4284A + HP42841A / HP4285A + HP42841A

Physical

Packaging: 2000 pieces per 7 inch reel.
Marking: Three Dot Color Code System

Also available in 5% = J and 2% = G
 All specifications subject to change without notice.