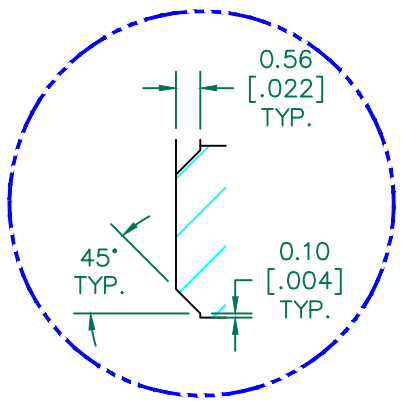


SEE DETAIL "A"

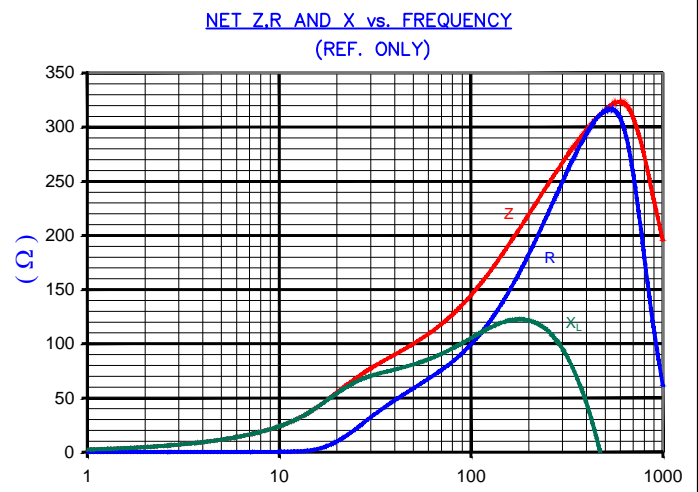
SECTION A-A



CHAMFER
DETAIL "A"
SCALE= 6:1

**UNCONTROLLED
DOCUMENT**

NET IMPEDANCE (Z)			
Frequency	300 MHz	500 MHz	1 GHz
Nominal (REF)	270 Ω	315 Ω	200 Ω
Minimum	- Ω	252 Ω	- Ω



AGILENT E4991A Impedance/Material Analyzer
HP 16092A-Test Fixture

FERRITE CORE DIMENSIONS (SPEC) MM [Inches]:

A	14.27 [.562]	+	0.29 [.011]
B	6.35 [.250]	+	0.13 [.005]
C	28.58 [1.125]	+	0.57 [.023]

WEIGHT/1000 18.02 kgs [39.73 Lbs]

NOTES: UNLESS OTHERWISE SPECIFIED

1. COSMETIC SPECIFICATION REFER TO WI-QA-038.

SCALE DRAWING 1:1

HFB143064-300



DIMENSIONS ARE IN mm [INCHES].				This print is the property of Laird Tech. and is loaned in confidence subject to return upon request and with the understanding that no copies shall be made without the written consent of Laird Tech. All rights to design or invention are reserved.		Laird	
				PROJECT/PART NUMBER:	REV	PART TYPE:	DRAWN BY:
				HFB143064-300	B	FERRITE CORE	TMB
B	UPDATE THE LOGO	09/17/09	Jcai	DATE:	04/03/03	SCALE:	2 : 1
A	ORIGINAL DRAFT	04/03/03	TMB	CAD #	HFB143064-300-B	TOOL #	B0562
REV	DESCRIPTION	DATE	INT			MATERIAL: FERRITE	