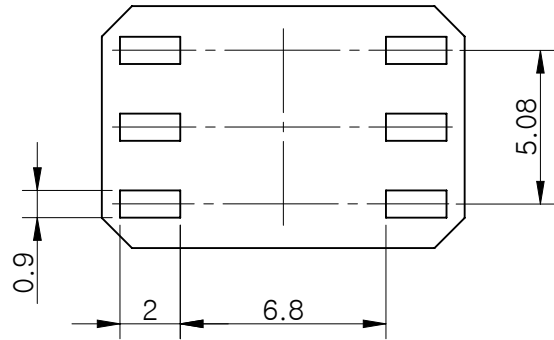
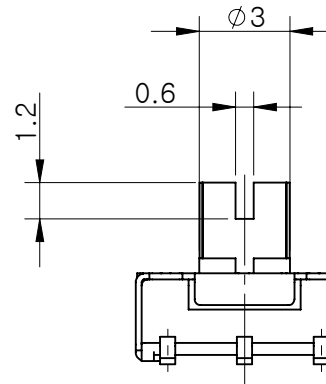
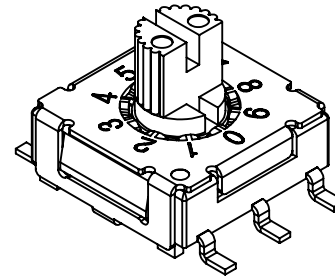
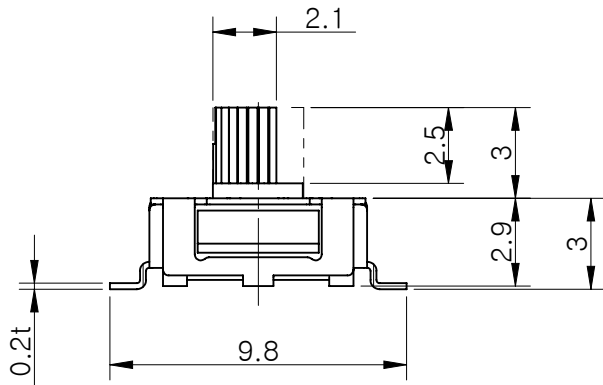
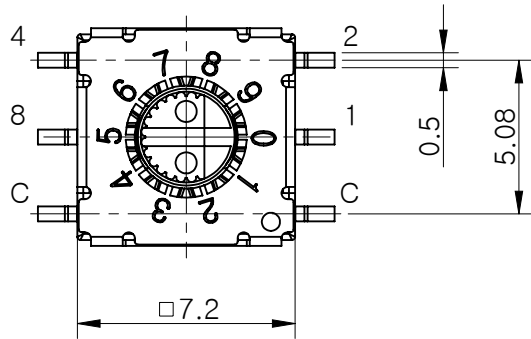


MRK. △	DATE	REVISION	SIGN
-----------	------	----------	------



P.C.B DIMENSION



Specification

- Operating Voltage : 50V
(None-Switching : 100mA)
(Switching : 100mA)
- Contact Resistance : 100mΩ Max
- Insulation Resistance : 100MΩ Min
- Operating Force : 200gf-cm Max**
- Life Cycle : 10,000 steps
- Sealing : Comparable IP67

		Real Code				
		C	1	2	4	8
16 P o s i t i o n	0	●				
	1	●	●			
	2	●		●		
	3	●	●	●		
	4	●			●	
	5	●	●		●	
	6	●		●	●	
	7	●	●	●	●	
	8	●				●
	9	●	●			●
16 P o s i t i o n	A	●		●		●
	B	●	●	●		●
	C	●			●	●
	D	●	●		●	●
	E	●		●	●	●
	F	●	●	●	●	●

STANDARD LAYOUT

01	MINI ROTARY SWITCH	재질 <지정안함>		1	-
NO.	DESCRIPTION	MATERIAL		Q.TY	VENDOR
DRAW/DESIGNED	CHECKED	APPROVED	 G.TOL ±0.1	TITLE MINI ROTARY SWITCH	
				UNIT mm	SCALE 4:1
2017-03-30			SIZE A4	DRAW NO. GSMR-10S0-01	SHEET 1/1
SUNGMUN ELECTRONICS CO.,LTD					