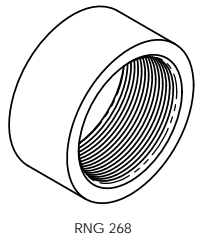


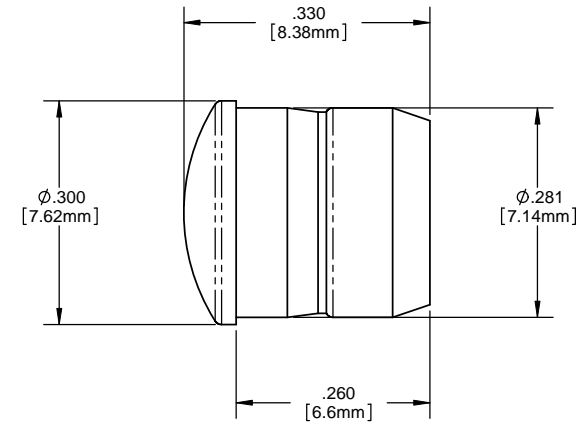
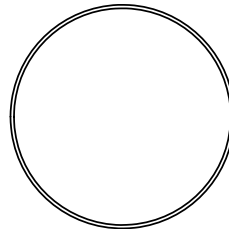
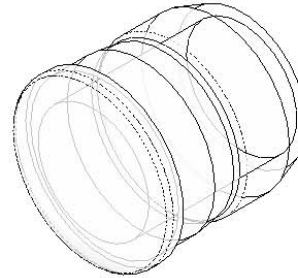
- NOTES:
1. MOUNTING: Mounts in a  $\phi .281 \pm .002$  [ $\phi 7.13\text{mm} \pm .05$ ] panel hole on  $.375$  [ $9.5\text{mm}$ ] centers. Panel thickness  $.031$  [ $0.8\text{mm}$ ] to  $.250$  [ $6.35\text{mm}$ ]. Panel hole should be deburred, but not chamfered.
  2. ASSEMBLY: Insert lens through panel hole, slide RNG 268 retainer on back of lens. PCB mounted LEDs slide into lens when the panel cover is closed or the PCB card is inserted into the case.
  3. MATERIAL: Polycarbonate, UL 94-V2
  4. U.S. & Foreign Pat. Issued & Pend.

REVISIONS				
ECN#	REV.	DESCRIPTION	DATE	INITIALS
	001	REVISED PER ECR111009AZ01	4-23-10	SMU

RETAINER  
(ORDER SEPARATELY)



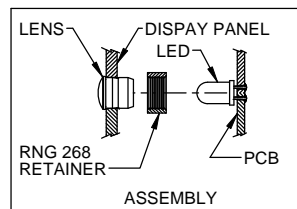
RNG 268



ORDERING CODE : **CMC 313 XXX**

MODEL

LENS COLOR	
RTP	RED TRANSPARENT
ATP	AMBER TRANSPARENT
GTP	GREEN TRANSPARENT
BTP	BLUE TRANSPARENT
YTP	YELLOW TRANSPARENT
CTP	CLEAR TRANSPARENT



UNLESS OTHERWISE SPECIFIED  
DIMENSIONS ARE IN INCHES  
ANGLES DECIMALS  
±1" .X ±.020  
XXX ±.010  
XXX ±.005

BREAK ALL CORNERS AND SHARP  
EDGES (R1/16")



THIRD ANGLE PROJECTION

PROPRIETARY AND CONFIDENTIAL  
THE INFORMATION CONTAINED IN THIS  
DRAWING IS THE SOLE PROPERTY OF  
VISUAL COMMUNICATIONS COMPANY, INC. AND  
REPRODUCTION IN PART OR AS A WHOLE  
WITHOUT THE WRITTEN CONSENT OF  
VISUAL COMMUNICATIONS COMPANY, INC. IS  
PROHIBITED.

MATERIAL POLYCARBONATE, UL 94-V2	
FINISH SEE NOTES	
APPROVAL	DATE
DRAWN: SMU	4-23-10
CHECKED: DZ	4-23-10
DO NOT SCALE DRAWING	

VISUAL COMMUNICATIONS COMPANY, INC. 190 Bosstick Boulevard, Suite 101 San Marcos, CA 92069 USA Phone (760) 560-1300 Fax (760) 560-1301 email vccsales@vccite.com		
TITLE: 5MM ROUND PLAIN DIFFUSED LENS		
SIZE	DWG. NO.	REV
<b>B</b>	<b>CMC 313 XXX</b>	<b>001</b>
SCALE: 1:1		SHEET 1 OF 1