

**PLEASE CHECK WWW.MOLEX.COM FOR LATEST PART INFORMATION**

**Part Number:** [0673511807](#)  
**Status:** **Active**  
**Description:** MicroCross™ DVI-I Digital/Analog Visual Interface, Panel Mount, Through Hole, Right Angle, PCB Extended Height Receptacle, Gold (Au) Flash, 3.12mm (.123") PC Tail Length, Polyester (PBT), Screw Hole, 4-40 Thread, 29 Circuits, Lead Free

**Documents:**

[3D Model](#)  
[Drawing \(PDF\)](#)

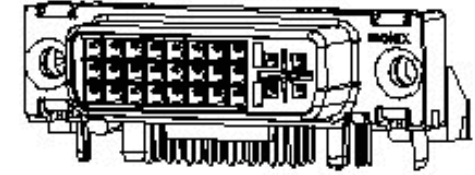
[RoHS Certificate of Compliance \(PDF\)](#)

**General**

Product Family	I/O Connectors
Series	<a href="#">67351</a>
Application	Wire-to-Board
Comments	DDWG (Digital Display Working Group) Standard
Component Type	Receptacle
Product Name	MicroCross™DVI
Type	N/A

**Physical**

Boot Color	N/A
Circuits (Loaded)	29
Circuits (maximum)	29
Color - Resin	Ivory, Natural
Durability (mating cycles max)	100
Gender	Receptacle
Keying to Mating Part	Yes
Lock to Mating Part	Yes
Material - Metal	Copper Alloy
Material - Plating Mating	Gold
Material - Plating Termination	Tin
Material - Resin	Polyester
Number of Rows	3
Orientation	Right Angle
PC Tail Length (in)	0.123 In
PC Tail Length (mm)	3.12 mm
PCB Locator	Yes
PCB Retention	Yes
Packaging Type	Tray
Panel Mount	Yes
Pitch - Mating Interface (in)	0.050 In, 0.075 In, 0.124 In
Pitch - Mating Interface (mm)	1.27 mm, 1.90 mm, 3.17 mm
Pitch - Term. Interface (in)	0.050 In, 0.075 In, 0.124 In
Pitch - Term. Interface (mm)	1.27 mm, 1.90 mm, 3.17 mm
Plating min: Mating (µin)	2, 30
Plating min: Mating (µm)	0.05, 0.75
Plating min: Termination (µin)	150
Plating min: Termination (µm)	3.75
Polarized to Mating Part	Yes
Polarized to PCB	Yes
Ports	1
Surface Mount Compatible (SMC)	No
Temperature Range - Operating	-20°C to +85°C
Termination Interface: Style	Through Hole
Waterproof / Dustproof	No
Wire Size AWG	N/A



*image - Reference only*

*Series*

**EU RoHS**

**ELV and RoHS  
Compliant**  
**REACH SVHC**  
 Not Reviewed  
**Halogen-Free  
Status**

**China RoHS**



**Need more information on product  
environmental compliance?**

Email [productcompliance@molex.com](mailto:productcompliance@molex.com)  
 For a multiple part number RoHS Certificate of Compliance, [click here](#)

Please visit the [Contact Us](#) section for any non-product compliance questions.

**Search Parts in this Series**

[67351Series](#)

**Mates With**

[74323](#) MicroCross™ DVI Plug Components.  
[88741](#) MicroCross™ DVI Cable Assemblies

**Use With**

[71781](#) Panel Mount Hex Screw Kit

**Electrical**

Current - Maximum per Contact	3A
Grounding to Panel	Yes
Shield Type	Full Shield
Shielded	Yes
Voltage - Maximum	40V AC (RMS)

**Material Info****Reference - Drawing Numbers**

Packaging Specification	PK-74320-010
Sales Drawing	SD-67351-047

This document was generated on 06/07/2010

**PLEASE CHECK [WWW.MOLEX.COM](http://WWW.MOLEX.COM) FOR LATEST PART INFORMATION**

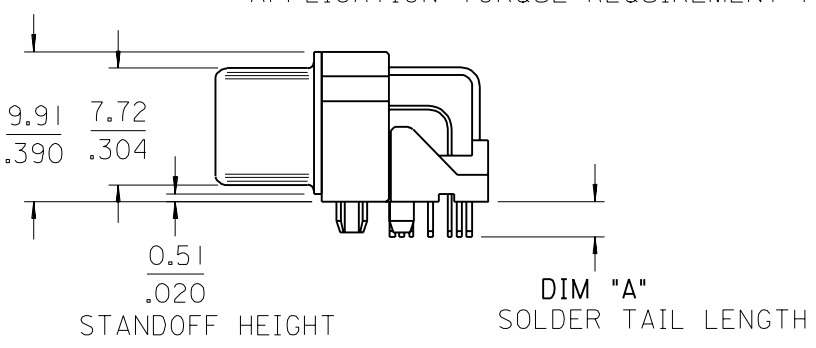
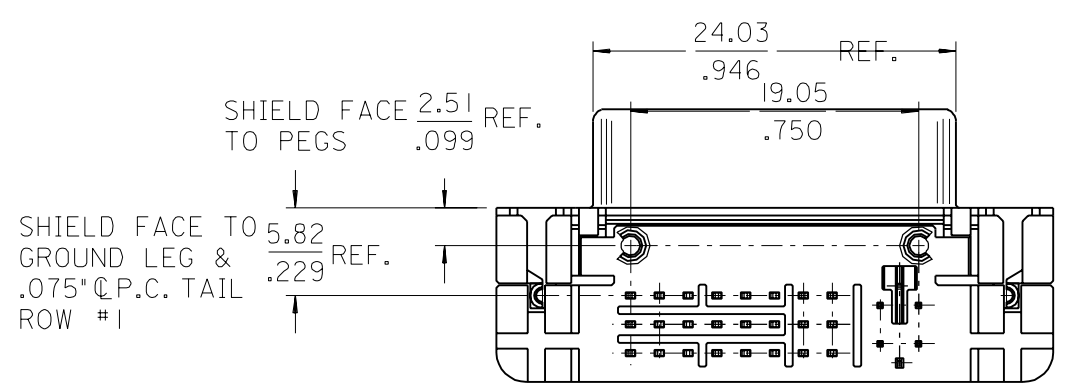
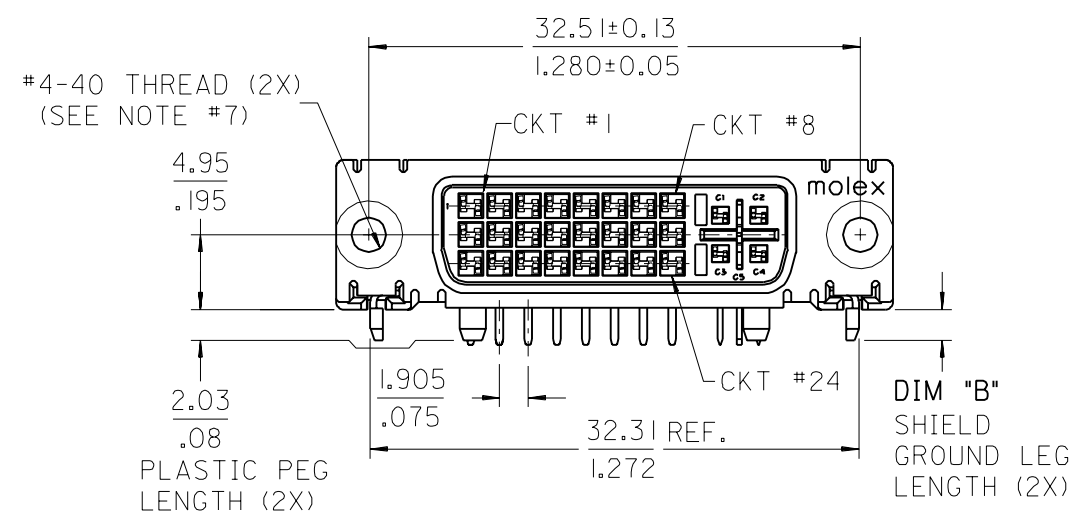
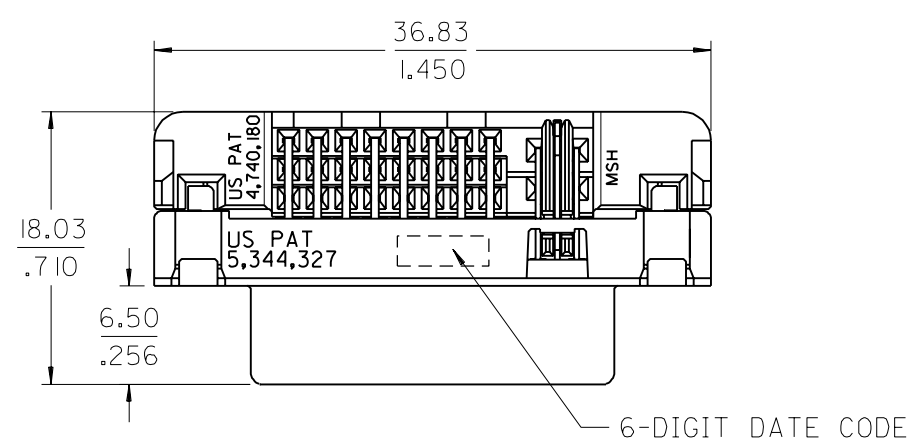
8  
7  
6  
5  
4  
3  
2  
1

ENG. NO SEE CHART

EDP NO.

SIMILAR ITEM

CADFILE NO. S67351047.S01



- NOTES:
- MATERIALS:  
SHIELD -- DEEP DRAW STEEL.  
HOUSING -- GLASS FILLED POLYMER, NATURAL (IVORY WHITE), UL 94v-0.  
TAIL ALIGNER -- GLASS FILLED POLYMER, NATURAL (IVORY WHITE), UL 94v-0.  
CONTACTS -- COPPER ALLOY.  
MICROCROSS GROUND -- COPPER ALLOY.
  - PLATING: SEE SHEET 2
  - PRODUCT CONFORMS TO MOLEX PRODUCT SPECIFICATION NUMBER PS-74320-001. REFER TO THIS SPECIFICATION FOR SPACING ON A P.C.B. OF TWO OR MORE CONNECTORS WHEN USING A CABLE OR AN ADAPTER ASSEMBLY.
  - SEE SHEET 2 FOR RECOMMENDED PANEL CUT-OUT AND P.C.B. LAYOUT.
  - PARTS WILL BE PACKAGED IN TRAYS PER PK-74320-010.
  - PRODUCT CONFORMS TO DDWG DVI SPECIFICATION. REFER TO THIS SPECIFICATION FOR CONNECTOR MATING DIMENSIONS.
  - RECOMMENDED MOUNTING HARDWARE IS MOLEX P/N 88780-6066 OR 82007-0300 OR 71781-0001 REFER TO PRODUCT SPECIFICATION NUMBER PS-74320-001 FOR THE APPLICATION TORQUE REQUIREMENT FOR ASSEMBLING MOUNTING HARDWARE.

DO NOT SCALE DRAWING

PART NUMBER	PLATING OPTION	DIM "A"	DIM "B"
67351-1800	1	2.34/.092	2.03±0.51
67351-1801	1	1.27/.050	.080±.020
67351-1803	1	3.12/.123	2.79/.110
67351-1804	2	2.34/.092	2.03±0.51
67351-1805	2	1.27/.050	.080±.020
67351-1806	2	2.79/.110	2.79/.110
67351-1807	2	3.12/.123	2.79/.110

NEW RELEASE

EC NO.  
DRWN: TAZHANG '03/01/13  
CHK:  
APPR:

A

DESCRIPTION

QUALITY SYMBOLS

MAJOR = 0

CRITICAL = 0

REV

GENERAL TOLERANCES: (UNLESS SPECIFIED)

	mm	INCH
4 PLACES	± .---	±. ---
3 PLACES	± .---	±. ---
2 PLACES	±0.25	±.010
1 PLACE	±0.25	±.010

ANGULAR: ±3°

DRAFT WHERE APPLICABLE MUST REMAIN WITHIN DIMENSIONS

SCALE 2:1

DESIGN UNITS  mm  INCH

THIRD ANGLE PROJECTION

DRAWN BY & DATE TAZHANG 03/01/13

CHECKED BY & DATE

APPROVED BY & DATE

CAD FILENAME S67351047.S01

MATERIAL NO. SEE CHART

DRAWING NO. SD-67351-047

SHEET NO. 1 OF 2

THIS DRAWING CONTAINS INFORMATION THAT IS PROPRIETARY TO MOLEX INCORPORATED AND SHOULD NOT BE USED WITHOUT WRITTEN PERMISSION.

DIMENSIONS:  mm  INCH  mm ONLY

SHT REV

REVISE ON CAD ONLY

TITLE: DVI - I RIGHT ANGLE RECEPTACLE CONNECTOR LEAD FREE PLATING

MOLEX MOLEX INCORPORATED

SIZE A3

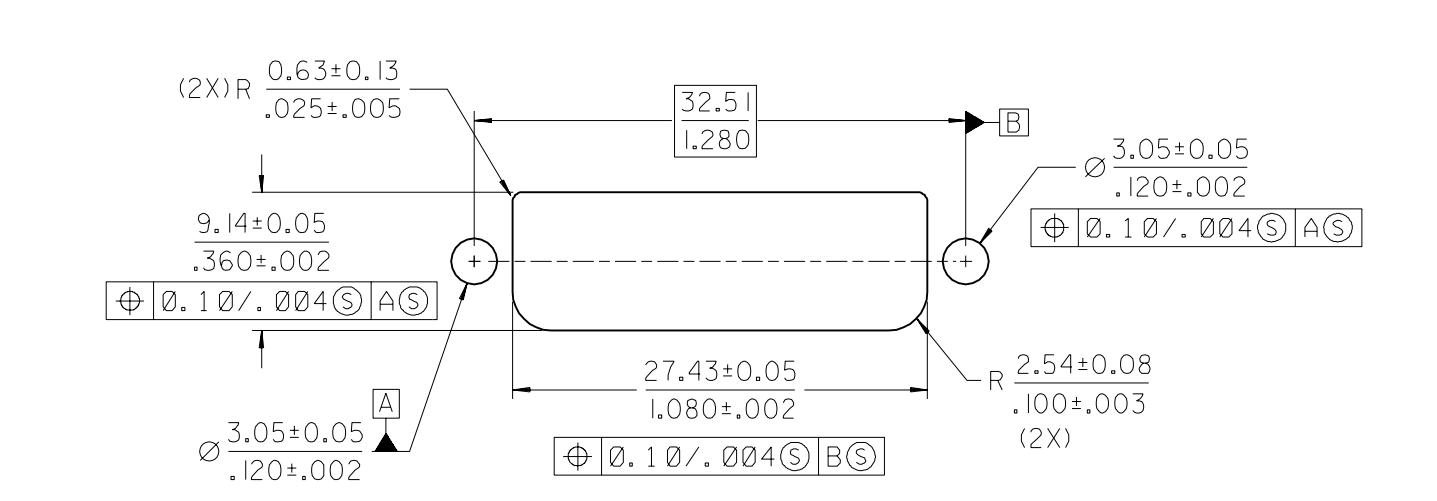
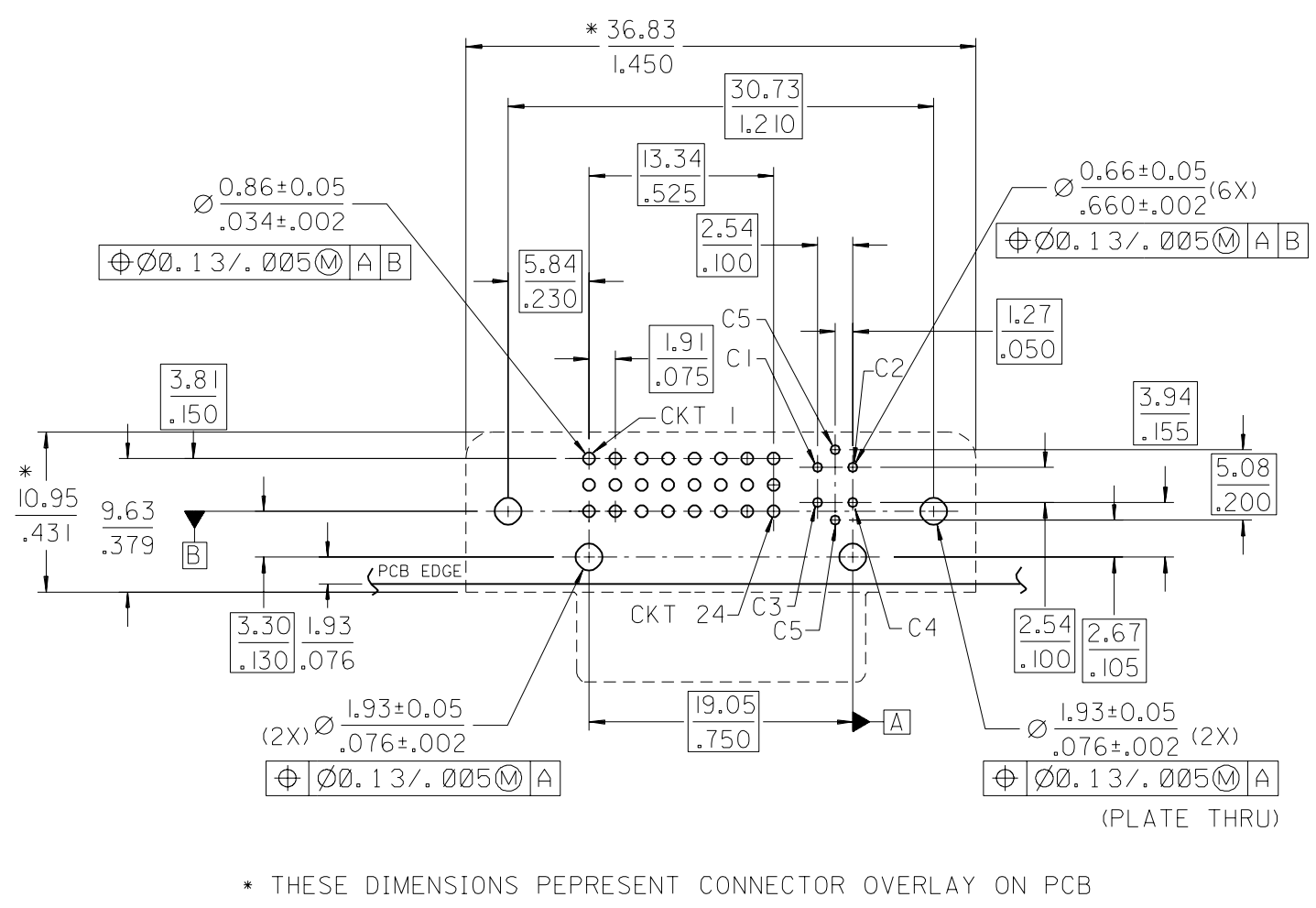
ENG. NO SEE CHART

EDP NO.

SIMILAR ITEM

CADFILE NO. S67351047.S02

DO NOT SCALE DRAWING



PLATING OPTIONS:

PLATING OPTION #1:

- OUTER SHIELD -- 150u"/(3.75um) MIN. BRIGHT TIN OVER 50u"/(1.27um) MIN. NICKEL OVER COPPER FLASH.
- .075"/(1.91mm) CONTACTS -- 30u"/(0.75um) MIN. SELECT GOLD AND 100u"/(2.50um) MIN. SELECT TIN OVER 50u"/(1.27um) MIN. NICKEL OVERALL.
- .100"/(2.54mm) CONTACTS -- 30u"/(0.75um) MIN. SELECT GOLD AND 100u"/(2.50um) MIN. SELECT TIN. OVER 50u"/(1.27um) MIN. NICKEL OVERALL.
- MICROCROSS GROUND -- 30u"/(0.75um) MIN. SELECT GOLD AND 100u"/(2.50um) MIN. SELECT TIN OVER 50u"/(1.27um) MIN. NICKEL OVERALL.

PLATING OPTION #2:

- OUTER SHIELD -- 150u"/(3.75um) MIN. BRIGHT TIN OVER 50u"/(1.27um) MIN. NICKEL OVER COPPER FLASH.
- .075"/(1.91mm) CONTACTS -- SELECT GOLD FLASH AND 100u"/(2.50um) MIN. SELECT TIN OVER 50u"/(1.27um) MIN. NICKEL OVERALL.
- .100"/(2.54mm) CONTACTS -- SELECT GOLD FLASH AND 100u"/(2.50um) MIN. SELECT TIN. OVER 50u"/(1.27um) MIN. NICKEL OVERALL.
- MICROCROSS GROUND -- 30u"/(0.75um) MIN. SELECT GOLD AND 100u"/(2.50um) MIN. SELECT TIN OVER 50u"/(1.27um) MIN. NICKEL OVERALL.

RECOMMEND PANEL CUT-OUT  
PANEL THICKNESS: 0.76±.030 - 1.02±.040

NEW RELEASE	EC NO.	DESCRIPTION	QUALITY SYMBOLS
	DRWN: TAZHANG 03/01/13		MAJOR = 0
A	CH/K:	CRITICAL = 0	
	APPR:		

GENERAL TOLERANCES: (UNLESS SPECIFIED)	
mm	INCH
4 PLACES ± .---	±. ---
3 PLACES ± .---	±. ---
2 PLACES ±0.25	±.010
1 PLACE ±0.25	±.010
ANGULAR: ±3°	
DRAFT WHERE APPLICABLE MUST REMAIN WITHIN DIMENSIONS	

SCALE 2:1	DESIGN UNITS <input checked="" type="checkbox"/> mm <input type="checkbox"/> INCH
DRAWN BY & DATE TAZHANG 03/01/13	
CHECKED BY & DATE	
APPROVED BY & DATE	
CAD FILENAME S67351047.S02	

DIMENSIONS: <input checked="" type="checkbox"/> mm <input type="checkbox"/> INCH <input type="checkbox"/> mm ONLY		SHT	REV
THIRD ANGLE PROJECTION		REVISE ON CAD ONLY	
TITLE: DVI - I RIGHT ANGLE RECEPTACLE CONNECTOR LEAD FREE PLATING			
MOLEX INCORPORATED			
MATERIAL NO. SEE SHEET 1	DRAWING NO. SD-67351-047	SHEET NO. 2 OF 2	
THIS DRAWING CONTAINS INFORMATION THAT IS PROPRIETARY TO MOLEX INCORPORATED AND SHOULD NOT BE USED WITHOUT WRITTEN PERMISSION.			SIZE A3