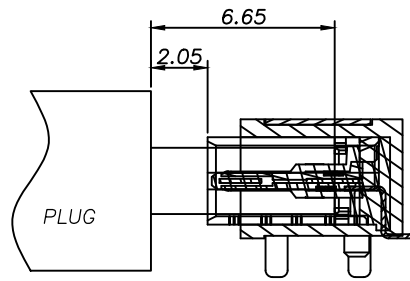


SECTION:A-A

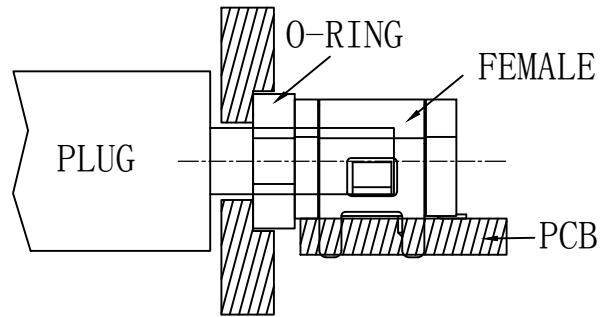
NOTE:

- 1.MATERIAL SPECIFICATION:
  - 1.HOUSING: HIGH TEMPERATURE RESISTANT PLASTIC,UL94 V-0.
  - 2.COVER: STAINLESS STEEL.
  - 3.CONTACTS: COPPER ALLOY
  - 4.MID PLATE: STAINLESS STEEL
  - 5.SHELL: STAINLESS STEEL
  - 6.O-RING: SILICONE RUBBER,BLACK
- 2.PLATING SPECIFICATION:
  - 2-1.CONTACTS:
    - Ni 50u" MIN. UNDER PLATED OVER ALL.
    - SEE TABLE 1 ON THE FUNCTIONAL AREA OF CONTACT.
    - SEE TABLE 1 ON THE SOLDER AREA OF CONTACT.
  - 2-2.SHELL:
    - Ni 30u" MIN. UNDER PLATED OVER ALL.
  - 2-3.COVER:
    - Ni 30u" MIN. UNDER PLATED OVER ALL.
  - 2-4.MID PLATE:
    - CLEAR ONLY.
- 3.MECHANICAL PERFORMANCE,
  - 3-1.INSERTION FORCE: 5~20N.
  - 3-2.REMOVAL FORCE: 8~20N.
  - 3-3.DURABILITY: 10000 CYCLES.
- 4.ELECTRICAL PERFORMANCE,
  - 4-1. CURRENT RATING:3.0A  
VOLTAGE RATING:5.0V
  - 4-2. LLCR:
    - VBUS & GND PINS AND OTHER PINS: 40mΩ/PIN MAX.
    - SHIELD: 50mΩ/MAX.
    - LLCR MAX. CHANGE OF ALL PINS: 10mΩ.
  - 4-3.INSULATION RESISTANCE: 100MΩ MIN
  - 4-4.DIELECTRIC WITHSTAND VOLTAGE,AC 100V FOR 1 MINUTE.
- 5.ENVIRONMENTAL PERFORMANCE:
  - OPERATING TEMPERATURE: -30℃~+85℃.
- 6.IR REFLOW:
  - THE PEAK TEMPERATURE ON THE BOARD SHALL BE MAINTAINED FOR 10 SECONDS AT 260°C.
7. WATER PROOFNESS:THISPRODUCTIS BASED ON IPX7.

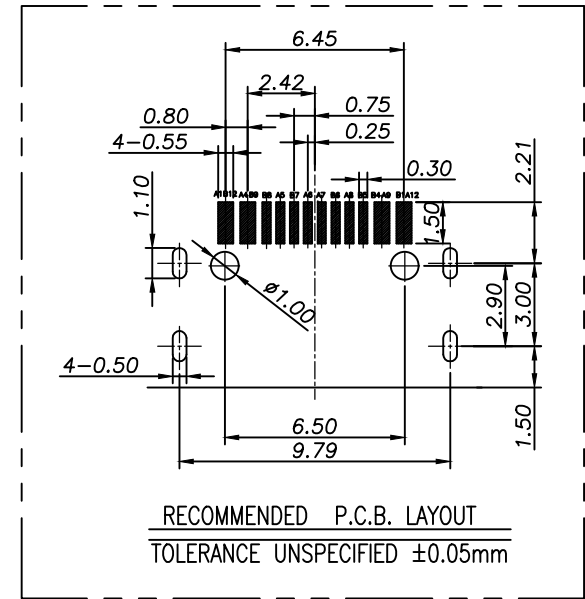
			GENERAL TOLERANCE		制图 DRAWING		深圳市华灿天禄电子有限公司 ShenzhenhuaciantianluELECTRONICS CO.,LTD			
			DIM	TOL	审核 CHECK					
			X.X	±0.30	批准 APPROVAL		产品名称 TITLE	Type C F 16P 单排 L7.05mm 板上 防水	版本 REV.	A
1			初版发行		比例 SCALE		产品料号 PART NO.	HC-AA0B010-093	单位 UNITS	mm
序号 No.	变更内容 MODIFY CONTENT	日期 MODIFY DATE	Angle ±3.0°		投影 Projection		材料 MATERIAL		页次 SHEET	1/3



AFTER MATING



组装面板防水示意图



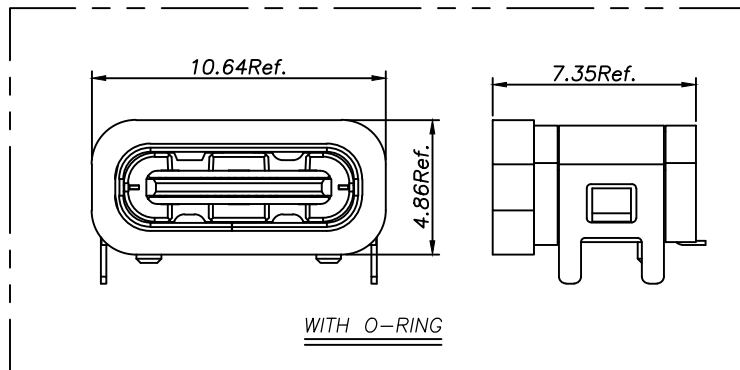
RECOMMENDED P.C.B. LAYOUT  
TOLERANCE UNSPECIFIED ±0.05mm

USB TYPE-C PIN ASSIGNMENTS

PIN	SIGNAL NAME	PIN	SIGNAL NAME
A1	GND	B12	GND
A4	VBUS	B9	VBUS
A5	CC1	B8	SBU2
A6	DP1	B7	DN2
A7	DN1	B6	DP2
A8	SBU1	B5	CC2
A9	VBUS	B4	VBUS
A12	GND	B1	GND

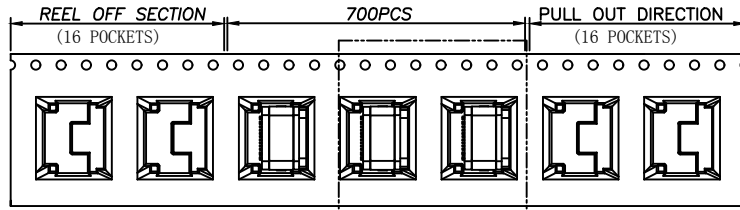
TABLE 1

ITEM	CONTACTS	CONTACTS	
		FUNCTIONAL AREA	SOLDER AREA
1	C2680	Au:1u"	Au:G/F
2	C1814	Au:3u"	Au:G/F

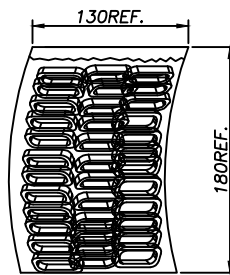
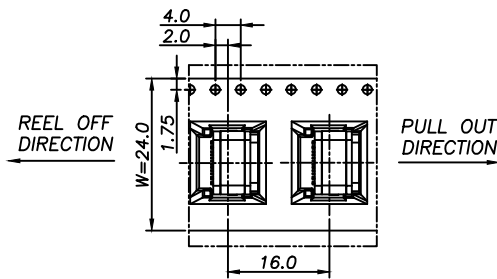
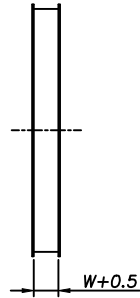
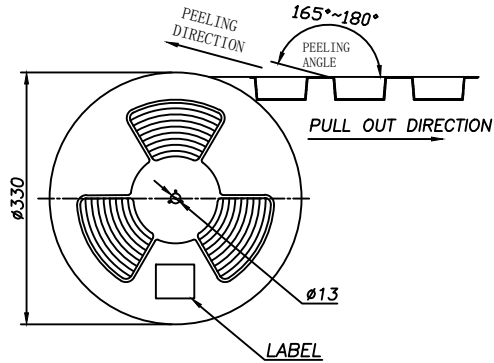


WITH O-RING

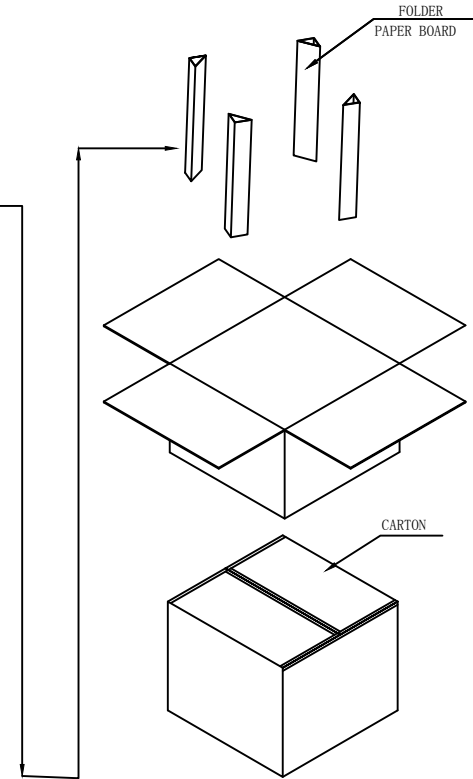
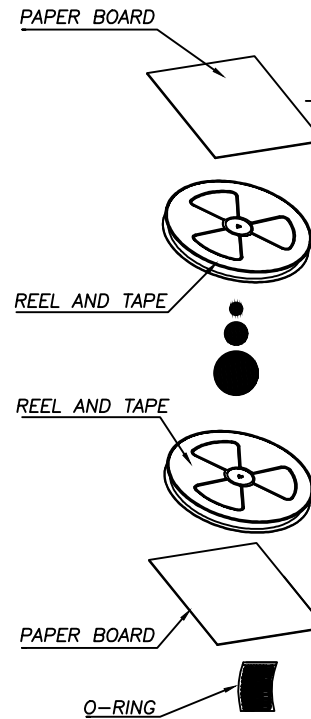
			GENERAL TOLERANCE		制图 DRAWING		深圳市华灿天禄电子有限公司 ShenzhenhuaciantianluELECTRONICS CO., LTD			
			DIM	TOL	审核 CHECK					
			X.X	±0.30	批准 APPROVAL		产品名称 TITLE	Type C F 16P 单排 L7.05mm 板上 防水	版本 REV.	A
1			X.XX	±0.20	比例 SCALE		产品料号 PART NO.	HC-AA0B010-093	单位 UNITS	mm
序号 No.			X.XXX	±0.10	投影 Projection		材料 MATERIAL		页次 SHEET	2/3
变更内容 MODIFY CONTENT			Angle ±3.0°							
日期 MODIFY DATE										



SEE DETAIL X



1000PCS/BAG  
O-RING



	REEL	CARTON
CONNECTOR (PCS)	700	7000

			GENERAL TOLERANCE	制图 DRAWING	深圳市华灿天禄电子有限公司 ShenzhenhuaciantianluELECTRONICS CO.,LTD			
			DIM TOL	审核 CHECK				
			X.X ±0.30	批准 APPROVAL	产品名称 TITLE	Type C F 16P 单排 L7.05mm 板上 防水-包装图	版本 REV.	A
1	初版发行		X.XX ±0.20	比例 SCALE	产品料号 PART NO.	HC-AA0B010-093	单位 UNITS	mm
序号 No.	变更内容 MODIFY CONTENT	日期 MODIFY DATE	Angle ±3.0°	投影 Projection	材料 MATERIAL		页次 SHEET	3/3