

PLEASE CHECK WWW.MOLEX.COM FOR LATEST PART INFORMATION

Part Number: [0554820539](#)
Status: **Active**
Overview: [mini_mi_ii](#)
Description: 1.25mm (.049") Pitch Mini Mi II™ Wire-to-Wire Adapter, without Panel Mount Clip, 5 Circuits, Lead-free

Documents:

[3D Model](#) [Product Specification PS-55482-006 \(PDF\)](#)
[Drawing \(PDF\)](#) [RoHS Certificate of Compliance \(PDF\)](#)

General

| | |
|----------------|----------------------------|
| Product Family | Accessories |
| Series | 55482 |
| Component Type | Adapter |
| Overview | mini_mi_ii |
| Product Name | Mini Mi II™ |

Physical

| | |
|--------------------------------|----------------|
| Circuits (Loaded) | 5 |
| Color - Resin | Natural |
| Gender | Male |
| Material - Metal | Brass |
| Material - Plating Mating | Tin |
| Material - Plating Termination | Tin |
| Material - Resin | Nylon |
| Number of Rows | 1 |
| Packaging Type | Bag |
| Plating min: Mating (µin) | 40 |
| Plating min: Mating (µm) | 1.00 |
| Plating min: Termination (µin) | 40 |
| Plating min: Termination (µm) | 1.00 |
| Temperature Range - Operating | -20°C to +80°C |

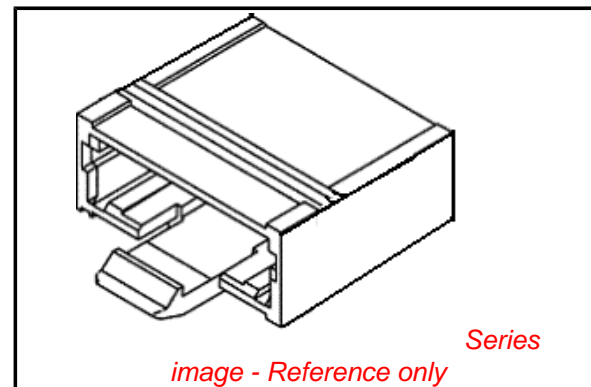
Electrical

| | |
|-------------------------------|------|
| Current - Maximum per Contact | 1.5A |
|-------------------------------|------|

Material Info

Reference - Drawing Numbers

| | |
|-----------------------|--------------|
| Product Specification | PS-55482-006 |
| Sales Drawing | SD-55482-005 |



EU RoHS

**ELV and RoHS
Compliant**
**REACH SVHC
Not Reviewed**
**Halogen-Free
Status**

China RoHS



**Need more information on product
environmental compliance?**

Email productcompliance@molex.com
For a multiple part number RoHS Certificate of Compliance, [click here](#)

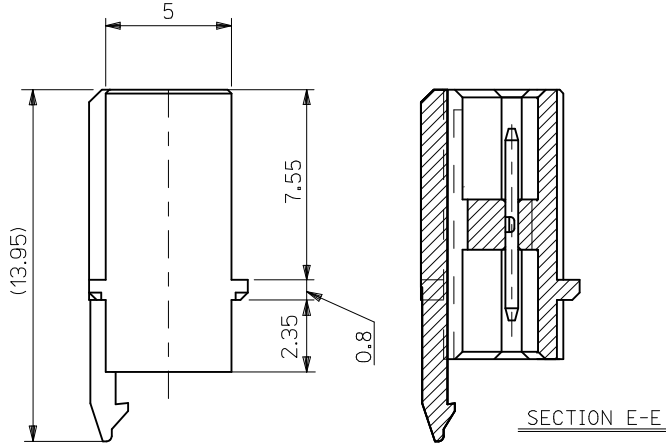
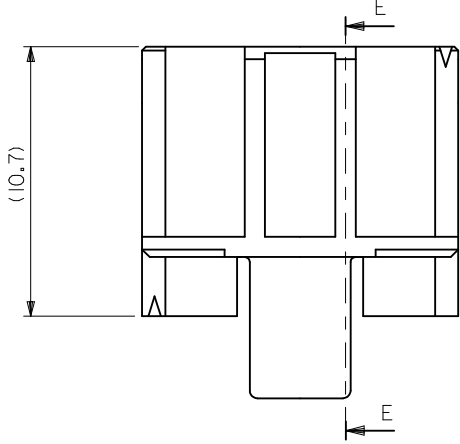
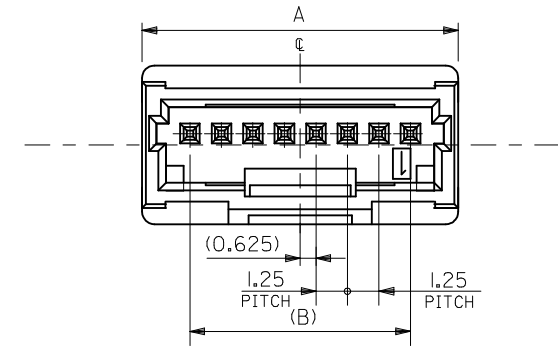
Please visit the [Contact Us](#) section for any non-product compliance questions.

Search Parts in this Series

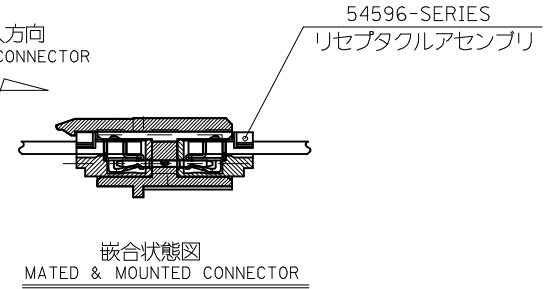
[55482Series](#)

Use With

[54596 IDT Housing](#)

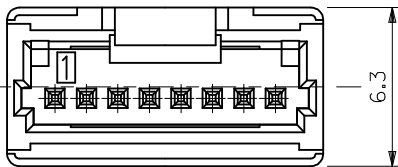


MA中継コネクタ挿入方向
ED & MOUNTED CONNECTOR



- 注記 1.材質 MATERIAL
 NOTES ウエハー: ポリアミド、UL94-V0、ナチュラル色
 WAFER: PA、UL94-V0、COLOR NATURAL
 ピン: 黄銅、銅下地 錫メッキ
 PIN: BRASS, PRE-TINNED
- 2.嵌合相手 MATE WITH
 リセプタクルアセンブリ: 54596 シリーズ
 REC. ASS'Y: 54596 SERIES
 ピン: リン青銅、錫メッキ
 PIN: PHOSPHOR BRONZE, PRE-TINNED
- 3.本製品は 55482-***30 の鉛フリー品である。
 THIS PRODUCT IS LEAD FREE OF 55482-***30.
- 4.ELV AND RoHS COMPLIANT.

| | | | |
|-------|-------|------------|----------|
| 23.75 | 27.55 | 55482-2039 | 20 |
| 22.5 | 26.3 | 55482-1939 | 19 |
| 21.25 | 25.05 | 55482-1839 | 18 |
| 20 | 23.8 | 55482-1739 | 17 |
| 18.75 | 22.55 | 55482-1639 | 16 |
| 17.5 | 21.3 | 55482-1539 | 15 |
| 16.25 | 20.05 | 55482-1439 | 14 |
| 15 | 18.8 | 55482-1339 | 13 |
| 13.75 | 17.55 | 55482-1239 | 12 |
| 12.5 | 16.3 | 55482-1139 | 11 |
| 11.25 | 15.05 | 55482-1039 | 10 |
| 10 | 13.8 | 55482-0939 | 9 |
| 8.75 | 12.55 | 55482-0839 | 8 |
| 7.5 | 11.3 | 55482-0739 | 7 |
| 6.25 | 10.05 | 55482-0639 | 6 |
| 5 | 8.8 | 55482-0539 | 5 |
| 3.75 | 7.55 | 55482-0439 | 4 |
| 2.5 | 6.3 | 55482-0339 | 3 |
| 1.25 | 5.05 | 55482-0239 | 2 |
| B | A | TRAY | CIRCUITS |



| | | | | | | | | |
|---|--|---|--|---------------------|--|---|------------------|------------------------|
| REVISED EC NO: J2010-0170 DRWN:TKON CHKD:KASAKAWA APPR:NUKITA | 2009/07/27 2009/07/28 2009/07/29 | GENERAL TOLERANCES (UNLESS SPECIFIED) | | 55482-***39 | | MODEL NO. | ORDER NO. オーダー番号 | |
| | | DIMENSION STYLE | | MM ONLY | | SCALE | DESIGN UNITS | THIRD ANGLE PROJECTION |
| | | DRAWN BY DATE | | T. UENO 2004/06/07 | | TITLE | | |
| | | CHECKED BY DATE | | M. SASAO 2004/06/07 | | MINI MI2 1-ROW RELAY WAFER ASSY -LEAD FREE- | | |
| APPROVED BY DATE | | M. SASAO 2004/06/07 | | MOLEX INCORPORATED | | | | |
| MATERIAL NO. | | SEE TABLE | | DOCUMENT NO. | | SHEET NO. | | |
| SIZE | | THIS DRAWING CONTAINS INFORMATION THAT IS PROPRIETARY TO MOLEX INCORPORATED AND SHOULD NOT BE USED WITHOUT WRITTEN PERMISSION | | | | | | |