

THIS DRAWING IS UNPUBLISHED.

RELEASED FOR PUBLICATION

ALL RIGHTS RESERVED.

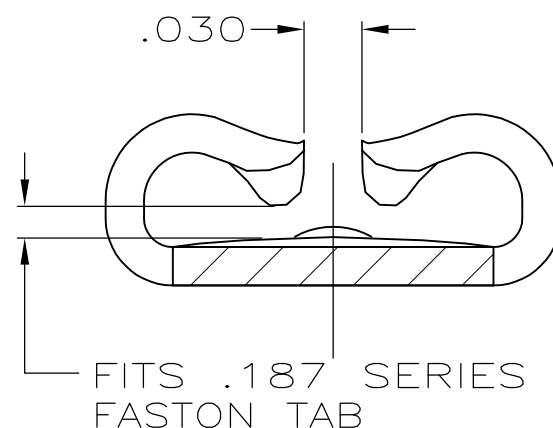
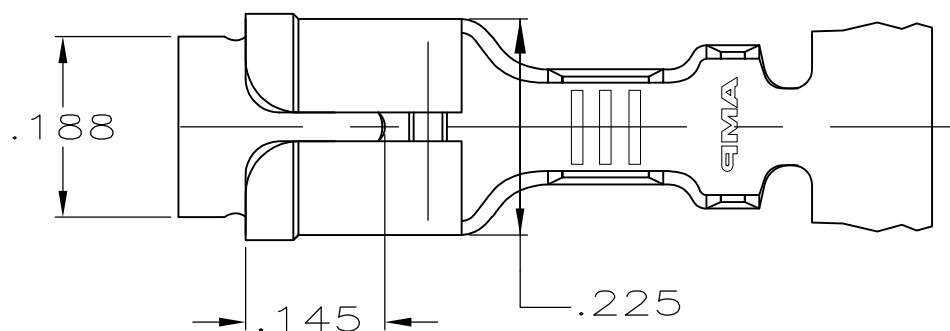
© COPYRIGHT - By -

LOC AF DIST 50

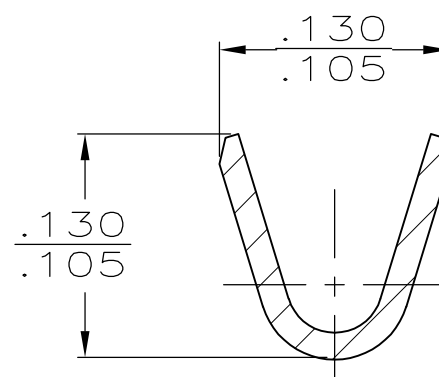
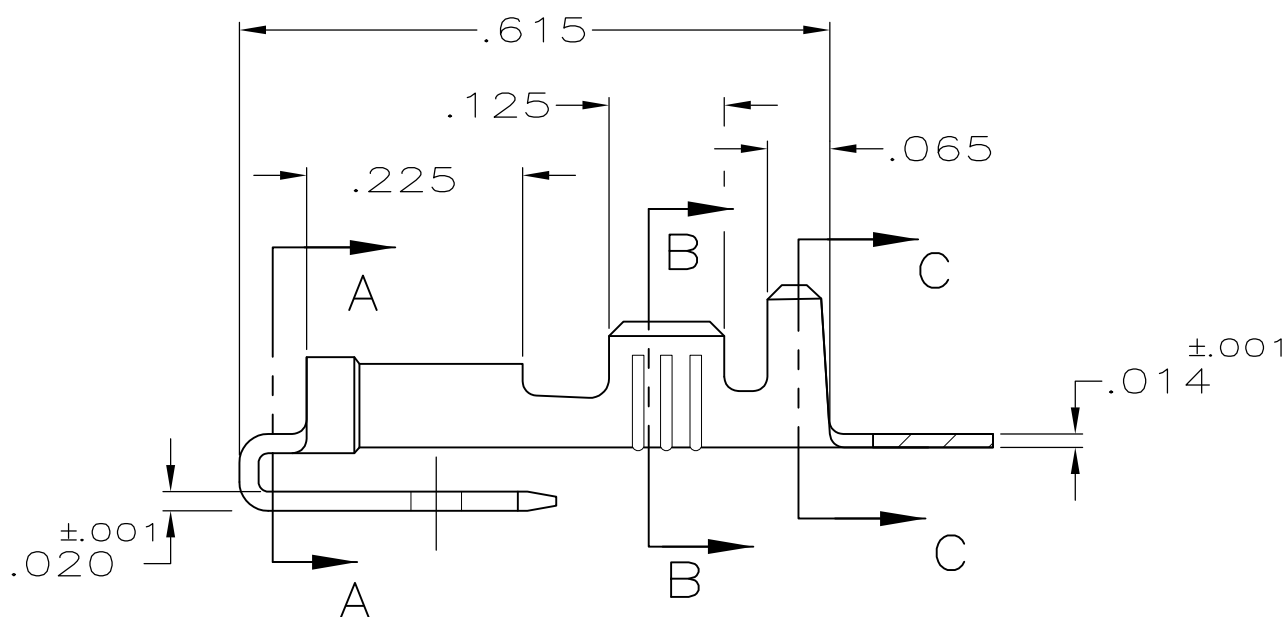
REVISIONS

P	LTR	DESCRIPTION	DATE	DWN	APVD
D		REVISED PER ECR-12-013459	27NOV2012	KH	PD

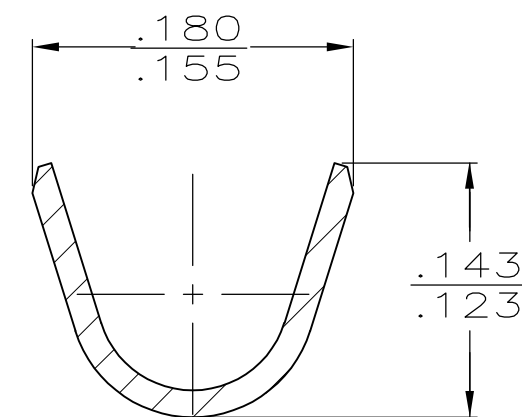
1 CONTINUOUS STRIP ON REELS.



SECTION A-A
SCALE 10:1



SECTION B-B
SCALE 10:1



SECTION C-C
SCALE 10:1

.060-.110 DIA	20-16 AWG	.020	62139-1
INSULATION RANGE	WIRE SIZE	MATING TAB THK ±.001	PART NO.

THIS DRAWING IS A CONTROLLED DOCUMENT.		DWN JR RUTH 9/6/91	STE TE Connectivity	
DIMENSIONS: INCHES		CHK MS FEHER 9/6/91		
TOLERANCES UNLESS OTHERWISE SPECIFIED:		APVD C MEYERS 9/6/91	NAME	
0 PLC ± -		PRODUCT SPEC	RECEPTACLE & TAB, FASTON, PIGGYBACK, .187 SERIES	
1 PLC ± -		APPLICATION SPEC	SIZE	CAGE CODE
2 PLC ± -		FINISH	A3	00779
3 PLC ± .015		MATERIAL	DRAWING NO	
4 PLC ± -		BRASS	C-62139	
ANGLES ± -		FINISH	RESTRICTED TO	
TIN		WEIGHT	-	
CUSTOMER DRAWING		SCALE	5:1	
		SHEET	1 OF 1	
		REV	D	