

PLEASE CHECK WWW.MOLEX.COM FOR LATEST PART INFORMATION

Part Number: [0473370008](#)
Status: **Active**
Description: Stainless Steel Extractor for Camera Socket, 8.5x8.5 Type, Lead free

Documents:

[3D Model](#) [RoHS Certificate of Compliance \(PDF\)](#)
[Drawing \(PDF\)](#)

General

Product Family	Application Tooling
Series	47337
Comments	Arm to Leg Distance: 3.7mm (.146")
Function	Extraction
Geographic Area	Asia
Level of Automation	Manual
Product Name	N/A
Tool Type	Handtool

Material Info

Reference - Drawing Numbers

Sales Drawing [SD-105091-008, SD-47337-008](#)

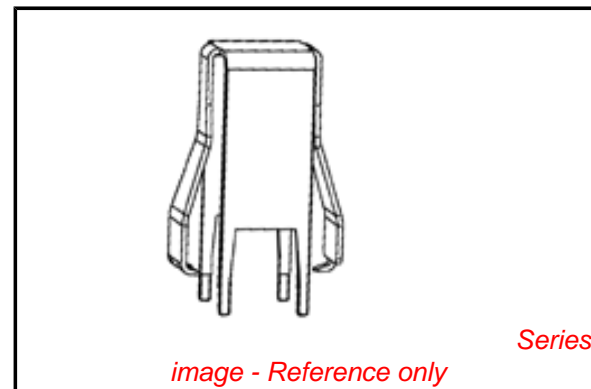


image - Reference only

EU RoHS

**ELV and RoHS
Compliant**
**REACH SVHC
Not Reviewed**
**Halogen-Free
Status
Not Reviewed**

China RoHS

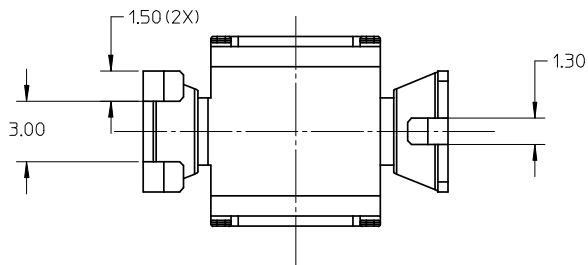
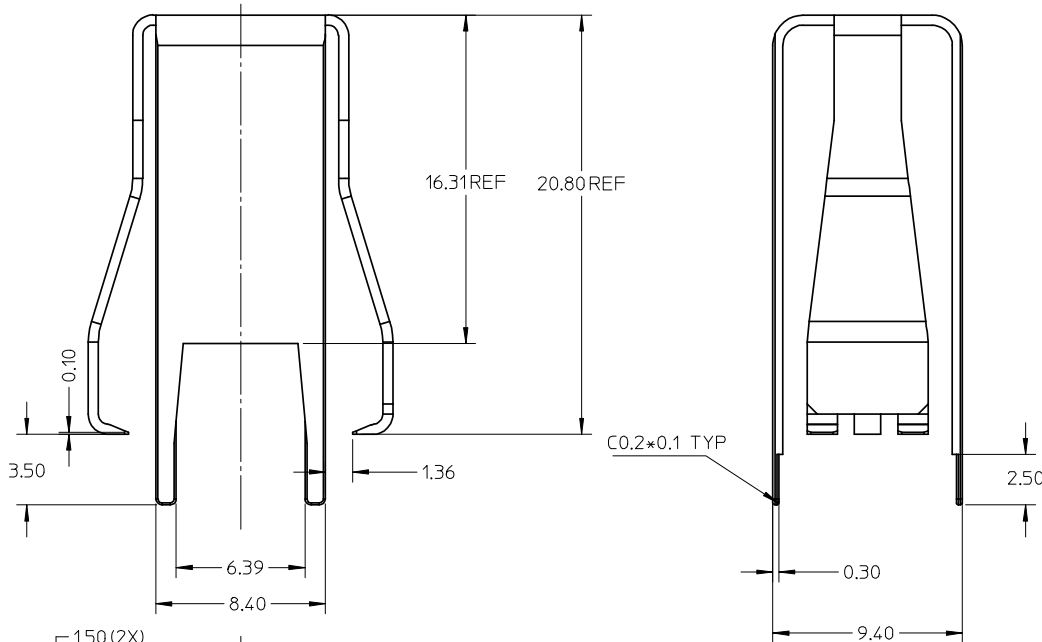
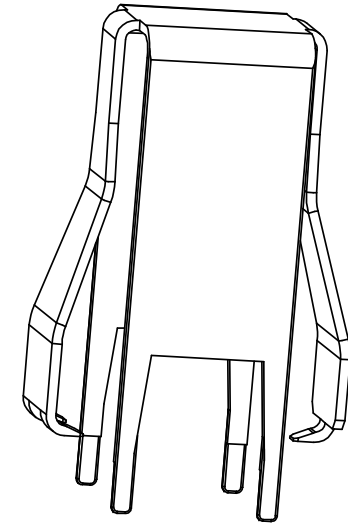
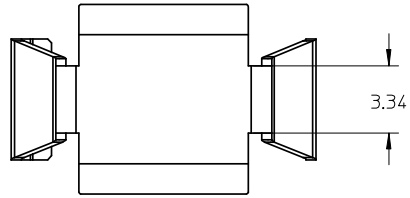


**Need more information on product
environmental compliance?**

Email productcompliance@molex.com
 For a multiple part number RoHS Certificate of
 Compliance, [click here](#)

Please visit the [Contact Us](#) section for any
 non-product compliance questions.

Search Parts in this Series
[47337Series](#)



NOTES:
 1.MATERIAL: STAINLESS STEEL, THICKNESS: 0.5MM
 2.FINISH: NON-PLATING.
 3.COMPLIANT TO RoHS DIRECTIVE 200/95/EC AND ELV 2000/53/EC

NEW RELEASE EC NO: SH2008-0421 DRWN:MSH CHKD:YLZHU APPR:HWANG	2008/02/22 2008/02/26 2008/03/20	DESCRIPTION REV	QUALITY SYMBOLS	GENERAL TOLERANCES (UNLESS SPECIFIED)	DIMENSION STYLE	SCALE	DESIGN UNITS	THIRD ANGLE PROJECTION	
			▽=9 ◻=0	mm INCH 4 PLACES ± --- ± --- 3 PLACES ± --- ± --- 2 PLACES ± 0.15 ± --- 1 PLACE ± 0.15 ± --- ANGULAR ± 2 °	MM ONLY	4:1	METRIC	DRAWN BY: IHE DATE: 2007/03/12 CHECKED BY: YLZHU DATE: 2007/10/31 APPROVED BY: HWANG DATE: 2007/10/31	TITLE
			DRAFT WHERE APPLICABLE MUST REMAIN WITHIN DIMENSIONS	MATERIAL NO.	DOCUMENT NO.	EXTRACTOR FOR 8.5X8.5 CAMERA SOCKET MOLEX INCORPORATED			
			SIZE A3	473370008	SD-47337-008	SHEET NO. 1 OF 1 THIS DRAWING CONTAINS INFORMATION THAT IS PROPRIETARY TO MOLEX INCORPORATED AND SHOULD NOT BE USED WITHOUT WRITTEN PERMISSION			