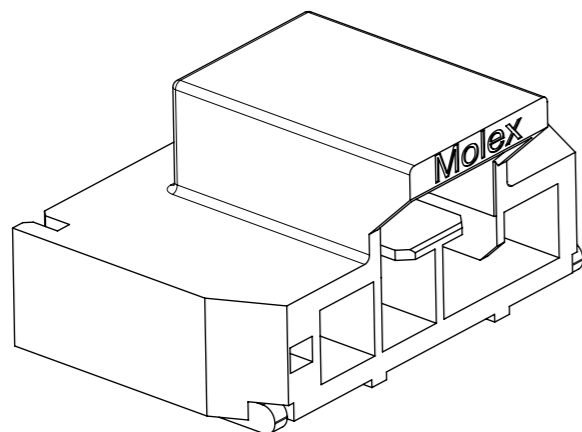
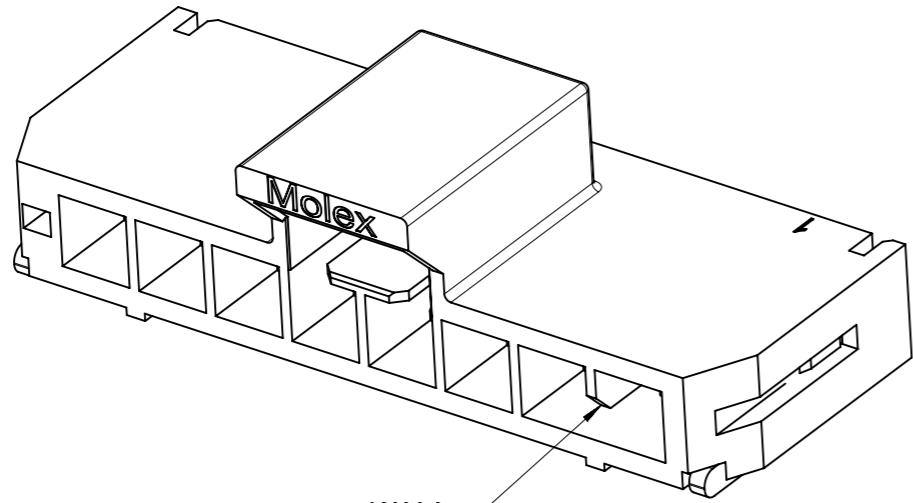


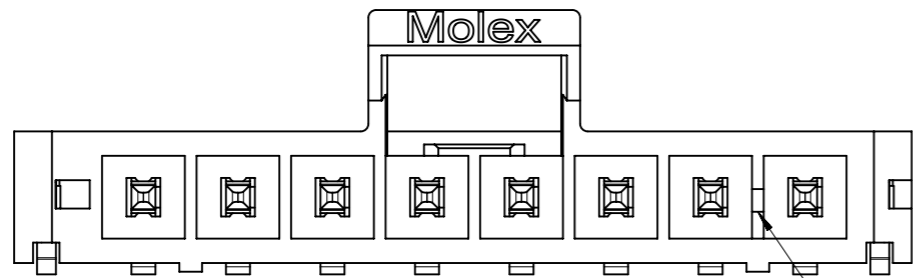
RECOMMENDED PCB LAYOUT(CONNECTOR SIDE VIEW)
THICKNESS=1.60mm MIN. TOLERANCE:±0.05



THIS DRAWING CONTAINS INFORMATION THAT IS PROPRIETARY TO MOLEX ELECTRONIC TECHNOLOGIES, LLC AND SHOULD NOT BE USED WITHOUT WRITTEN PERMISSION											
QUALITY SYMBOLS ▽A = 0 ▽E = 0 ▽F = 0 ▼ = 0 ▽C = 0 ⊗ = 0 ■ = 0 ▽ = 0	RE-MASTER IN ECTR EC NO: 625433 DRWN: GLLI CHK'D: YXZHENG APPR: YXZHENG	GENERAL TOLERANCES (UNLESS SPECIFIED) ANGULAR TOL ± 3.0 °		DIMENSION UNITS mm	SCALE 5:1						
		4 PLACES ±	DRWN BY WJHUO	DATE 2014/10/30							
		3 PLACES ±	CHK'D BY	DATE	SD DRAWING FOR NANO-FIT HEADER OF SMT RA SINGLE POWER CONN.						
		2 PLACES ± 0.2	APPR BY AYIN	DATE 2015/03/12							
		1 PLACE ± 0.3	DRAWING SIZE A3	THIRD ANGLE PROJECTION	PRODUCT CUSTOMER DRAWING						
		0 PLACES ±	DRAFT WHERE APPLICABLE MUST REMAIN WITHIN DIMENSIONS								SERIES: 105430
		DOCUMENT NUMBER: SD-105430-001		DOC TYPE: PSD	DOC PART: 000	SHEET NUMBER: 1 OF 4					

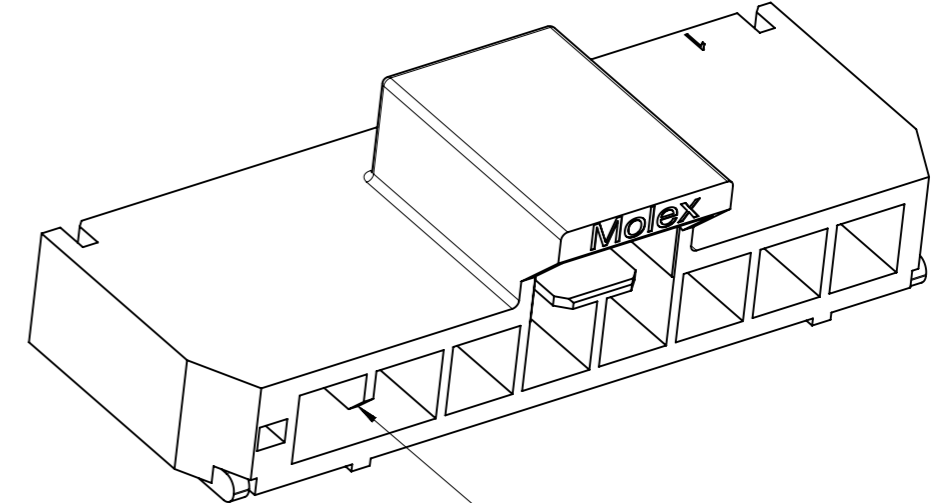


KAY A

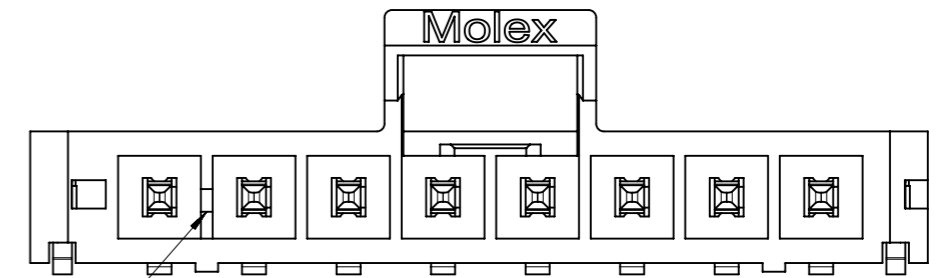


KAY A

BLACK



KAY B



KAY B

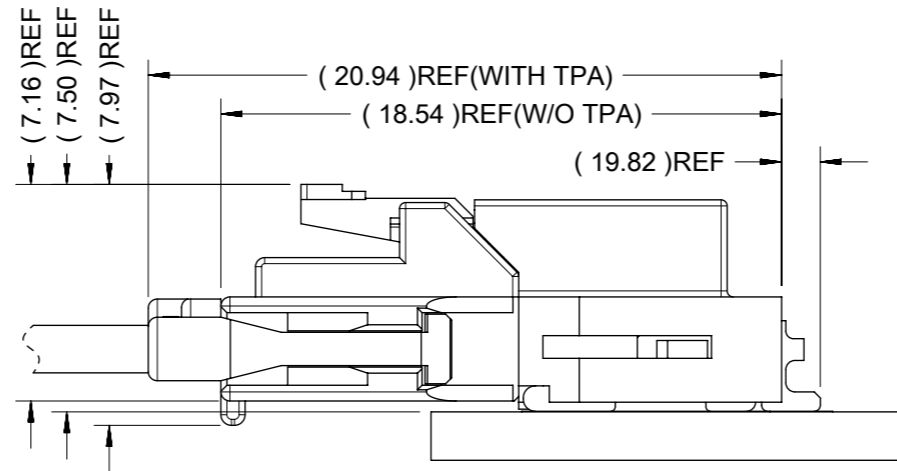
NATURAL

COLOR OPTION

SYMBOLS	THIS DRAWING CONTAINS INFORMATION THAT IS PROPRIETARY TO MOLEX ELECTRONIC TECHNOLOGIES, LLC AND SHOULD NOT BE USED WITHOUT WRITTEN PERMISSION		CURRENT REV DESC: RE-MASTER IN ECTR				
	DIMENSION UNITS	SCALE					
▽ = 0	mm		DRWN: GLLI	2019/10/10	2019/10/10	NANO-FIT HEADER OF SMT RA SINGLE POWER	
▽ = 0	GENERAL TOLERANCES (UNLESS SPECIFIED)		CHK'D: YXZHENG	2019/10/10	2019/10/10	CONN.	
▽ = 0	ANGULAR TOL ± 3.0°		APPR: YXZHENG	2019/10/10	2019/10/10	PRODUCT CUSTOMER DRAWING	
▽ = 0	4 PLACES ±		INITIAL REVISION:		DOCUMENT NUMBER	DOC TYPE	
▽ = 0	3 PLACES ±		DRWN: RMV02		2016/01/14	DOC PART	
▽ = 0	2 PLACES ± 0.2		APPR: AYIN		2017/05/15	REVISION	
▽ = 0	1 PLACE ± 0.3		DRWN: RMV02		2016/01/14	SD-105430-001	
▽ = 0	0 PLACES ±		APPR: AYIN		2017/05/15	PSD	
□ = 0	DRAFT WHERE APPLICABLE MUST REMAIN WITHIN DIMENSIONS		THIRD ANGLE PROJECTION	DRAWING	SERIES	MATERIAL NUMBER	
■ = 0				A3-SIZE	105430	CUSTOMER	
▽ = 0					GENERAL MARKET		
▽ = 0					SHEET NUMBER		
▽ = 0					2 OF 4		

DOCUMENT STATUS	P1	RELEASE DATE	2019/10/10	06:03:15
-----------------	----	--------------	------------	----------

9		8		7		6		5		4		3		2		1	
PART NUMBER	DIM. A	DIM. B	DIM. C	DIM. D	CKT SIZE	PLATING	LUBE										
105430-1102	8.74	3.82	2.50	7.04	2	TIN											
105430-1103	11.24	5.07	5.00	9.54	3												
105430-1104	13.74	6.32	7.50	12.04	4												
105430-1105	16.24	7.57	10.00	14.54	5												
105430-1106	18.74	8.82	12.50	17.04	6												
105430-1107	21.24	10.07	15.00	19.54	7												
105430-1108	23.74	11.32	17.50	22.04	8												
105430-1202	8.74	3.82	2.50	7.04	2			GOLD 0.38	NO								
105430-1203	11.24	5.07	5.00	9.54	3												
105430-1204	13.74	6.32	7.50	12.04	4												
105430-1205	16.24	7.57	10.00	14.54	5												
105430-1206	18.74	8.82	12.50	17.04	6												
105430-1207	21.24	10.07	15.00	19.54	7												
105430-1208	23.74	11.32	17.50	22.04	8												
105430-1302	8.74	3.82	2.50	7.04	2	GOLD 0.76											
105430-1303	11.24	5.07	5.00	9.54	3												
105430-1304	13.74	6.32	7.50	12.04	4												
105430-1305	16.24	7.57	10.00	14.54	5												
105430-1306	18.74	8.82	12.50	17.04	6												
105430-1307	21.24	10.07	15.00	19.54	7												
105430-1308	23.74	11.32	17.50	22.04	8												
105430-1402	8.74	3.82	2.50	7.04	2			GOLD 0.76	YES								
105430-1403	11.24	5.07	5.00	9.54	3												
105430-1404	13.74	6.32	7.50	12.04	4												
105430-1405	16.24	7.57	10.00	14.54	5												
105430-1406	18.74	8.82	12.50	17.04	6												
105430-1407	21.24	10.07	15.00	19.54	7												
105430-1408	23.74	11.32	17.50	22.04	8												
COLOR: BLACK																	



9		8		7		6		5		4		3		2		1	
PART NUMBER	DIM. A	DIM. B	DIM. C	DIM. D	CKT SIZE	PLATING	LUBE										
105430-2102	8.74	3.82	2.50	7.04	2	TIN											
105430-2103	11.24	5.07	5.00	9.54	3												
105430-2104	13.74	6.32	7.50	12.04	4												
105430-2105	16.24	7.57	10.00	14.54	5												
105430-2106	18.74	8.82	12.50	17.04	6												
105430-2107	21.24	10.07	15.00	19.54	7												
105430-2108	23.74	11.32	17.50	22.04	8												
105430-2202	8.74	3.82	2.50	7.04	2			GOLD 0.38	NO								
105430-2203	11.24	5.07	5.00	9.54	3												
105430-2204	13.74	6.32	7.50	12.04	4												
105430-2205	16.24	7.57	10.00	14.54	5												
105430-2206	18.74	8.82	12.50	17.04	6												
105430-2207	21.24	10.07	15.00	19.54	7												
105430-2208	23.74	11.32	17.50	22.04	8												
105430-2302	8.74	3.82	2.50	7.04	2	GOLD 0.76											
105430-2303	11.24	5.07	5.00	9.54	3												
105430-2304	13.74	6.32	7.50	12.04	4												
105430-2305	16.24	7.57	10.00	14.54	5												
105430-2306	18.74	8.82	12.50	17.04	6												
105430-2307	21.24	10.07	15.00	19.54	7												
105430-2308	23.74	11.32	17.50	22.04	8												
105430-2402	8.74	3.82	2.50	7.04	2			GOLD 0.76	YES								
105430-2403	11.24	5.07	5.00	9.54	3												
105430-2404	13.74	6.32	7.50	12.04	4												
105430-2405	16.24	7.57	10.00	14.54	5												
105430-2406	18.74	8.82	12.50	17.04	6												
105430-2407	21.24	10.07	15.00	19.54	7												
105430-2408	23.74	11.32	17.50	22.04	8												
COLOR: NATURAL																	

NOTES FOR ALL PARTS

1> MATERIAL:
HOUSING: LCP, UL 94V-0.
TERMINAL: BRASS.
SOLDER CLIP: BRASS.

2> PLATING FINISHED:
TERMINAL:
CONTACT AREA:
a. REFLOWED MATTE TIN 0.76 MICRONS MIN; b. GOLD 0.38 MICRONS MIN; c. GOLD 0.76 MICRONS MIN.
SOLDER AREA: TIN 0.76 MICRONS MINIMUM.
UNDER PLATING NICKEL 1.25 MICRONS MINIMUM.
SOLDER CLIP: TIN 2.5 MICRONS MINIMUM; UNDER PLATING NICKEL 1.25 MICRONS MINIMUM.

3> PRODUCT SPECIFICATION: PS-105405-001.
4> PACKAGE: TAPE REEL, DETAILS REFER TO DRAWING 1054301000-PK.
5> ALL COMPONENTS AND PRODUCT COMPLIANT TO RoHS DIRECTIVE 2011/65/EU AND ELV DIRECTIVE 2000/53/EC.
6> PRODUCT MATE WITH SERIES OF 105307(RECEPTACLE), 105300(CRIMP TERMINAL).
7> PARTS CONFORM TO CLASS 'B' REQUIREMENTS OF COSMETIC SPECIFICATION PS-45499-002.

THIS DRAWING CONTAINS INFORMATION THAT IS PROPRIETARY TO MOLEX ELECTRONIC TECHNOLOGIES, LLC AND SHOULD NOT BE USED WITHOUT WRITTEN PERMISSION																					
QUALITY SYMBOLS		RE-MASTER IN ECTR	EC NO: 625433	DRWN: GLLI	CHK'D: YXZHENG	APP'R: YXZHENG	GENERAL TOLERANCES (UNLESS SPECIFIED)		DIMENSION UNITS	SCALE	molex										
▽A	= 0						mm		5:1												
▽E	= 0						ANGULAR TOL ± 3.0 °		DRWN BY	DATE	SD DRAWING FOR NANO-FIT HEADER OF SMT RA SINGLE POWER CONN.										
▽B	= 0						4 PLACES	±	WJHUO	2014/10/30											
▽	= 0						3 PLACES	±	CHK'D BY	DATE	PRODUCT CUSTOMER DRAWING										
▽C	= 0						2 PLACES	± 0.2	APP'R BY	DATE											
▽	= 0						1 PLACE	± 0.3	AYIN	2015/03/12	SERIES	MATERIAL NUMBER	CUSTOMER								
▽	= 0						0 PLACES	±	DRAWING SIZE		THIRD ANGLE PROJECTION	105430	SEE TABLE	GENERAL MARKET							
▽	= 0						DRAFT WHERE APPLICABLE MUST REMAIN WITHIN DIMENSIONS		A3			DOCUMENT NUMBER	DOC TYPE	DOC PART	SHEET NUMBER						
▽	= 0								E	REV			SD-105430-001	PSD	000	3 OF 4					

