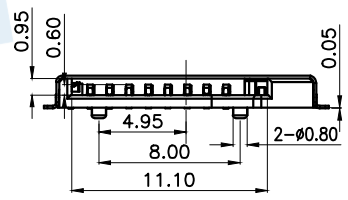
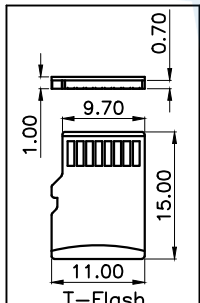
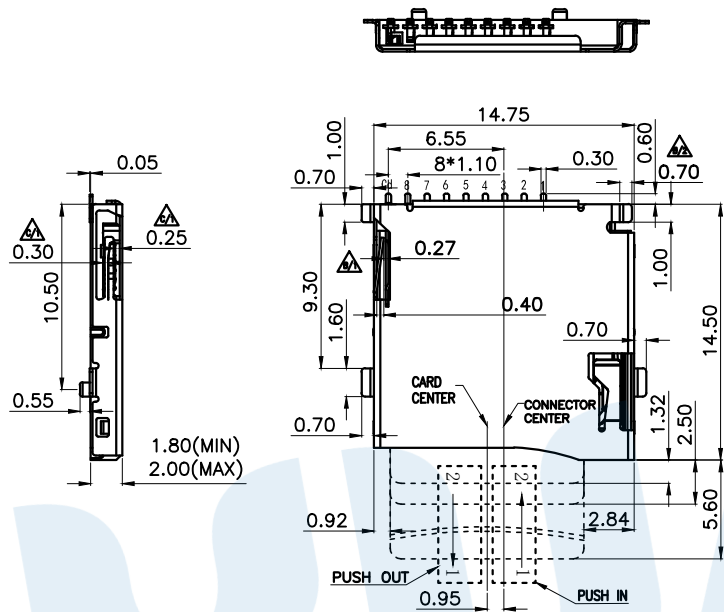
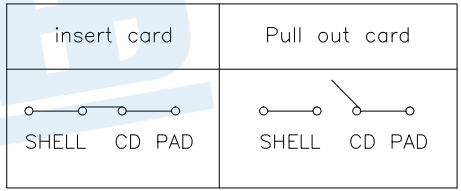
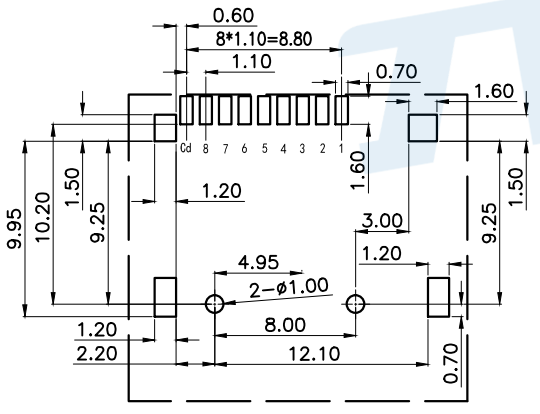


RoHS



PIN NO.	NAME	TYPE	DESCRIPTION
1	DAT2	I/O/PP	DATE LINE(BIT2)
2	CD/DAT3	I/O/PP	CARD DETECT DATE LIN(BIT3)
3	CMD	PP	COMMAND RESPONSE
4	VDD	S	SUPPLY VOLTAGE
5	CLX	I	CLOCK
6	VSS	S	SUPPLY VOLTAGE GROUND
7	DAT0	I/O/PP	DATE LINE(BIT0)
8	DAT1	I/O/PP	DATE LINE(BIT1)
9	CD	CD	CD



①	Spring		1	SUS	Nature
②	Terminal		9	Phosphor bronze	Au Plated
③	Cover		1	SUS	Ni Plated
④	Base		1	LCP	Black
NO.	Name	Number	Qty	Materil	Remarks

YUANDI® Yuandi Electronics Co, Ltd

design	date	name	TF CARD CONNECTOR
Review	date	model	TF-01
Approved	date		

Drawing number:
 angle ±2'
 10~30 ±0.30
 5~10 ±0.20
 ~ 5 ±0.10
 Tolerance not specified
 Proportion 1:1
 unit mm
 gage number
 A4

modify Review Approved Tolerance not specified Proportion 1:1 unit mm gage number A4