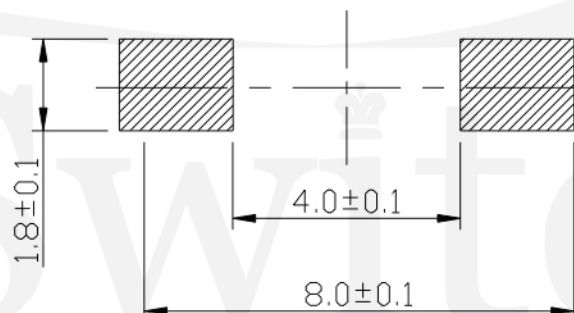
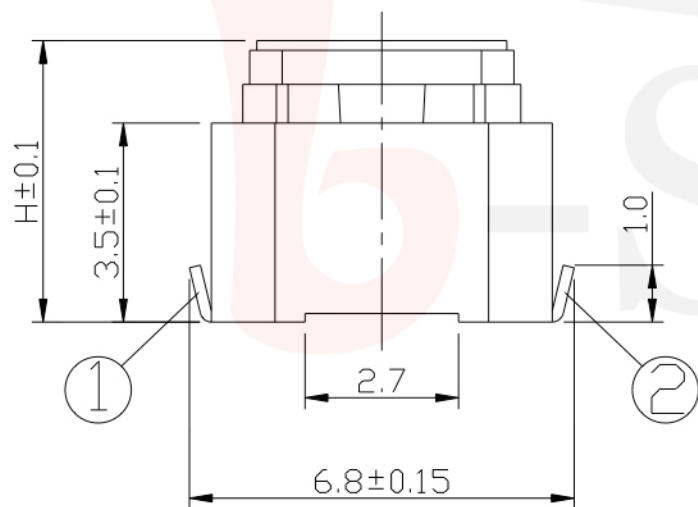


REFERENCE DRAWING



GT-TC129X-H050-LX



P.C.B LAND DIMENSION

G-SWITCH

Operating Force

A=180gf
B=250gf
C=300gf

Switch Height

H043=4.3mm
H050=5.0mm

Switch lifetime (Force)

L1=100,000 Cycles
L3=300,000 Cycles
L5=500,000 Cycles

G-Switch Specification:

Operating temperature range: -30°C to +85°C

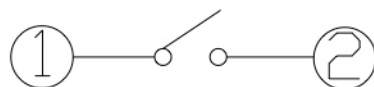
Rating: 50mA, 12V DC

Insulation resistance: 100MΩ min. 100V DC

Dielectric strength: 250V AC for 1 min

Contact resistance: 100mΩ max.

Travel: 1.3±0.1mm



CIRCUIT DIAGRAM



RoHS
Compliant
2002/95/EC



Compliant
Halogen Free



G-Switch Electronic (HongKong) CO.,Ltd.

Unless otherwise specified, Tolerance:
X. ±0.30
X.x ±0.20
X.xx ±0.15
X.xxx ±0.10
Angles ±3°

DESIGN	陈锋枫	DATE	2019.05.29
CHECKED		DATE	
APPROVED		DATE	
http://www.dg-switch.com			
TEL: 0769-82388879			

Molde code:		
GT-TC129X-HXXX-LX		
REV.: X1	SCALE: 4:1	UNIT: mm
SIZE: A4	SHEET: 1/1	