

## CTDLFF Series

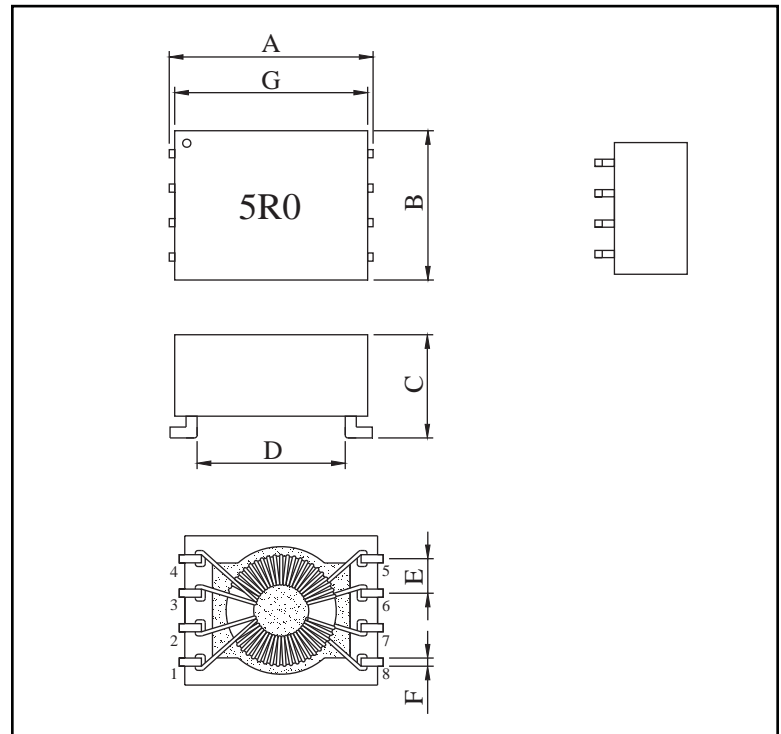
### SPECIFICATIONS

| Part Number    | Lines | Inductance      |                 | DCR Max. ( $\Omega$ ) | Rated Current (A) | Hi-Pot 0.5mA, 2Sec |
|----------------|-------|-----------------|-----------------|-----------------------|-------------------|--------------------|
|                |       | Min. ( $\mu$ H) | Max. ( $\mu$ H) |                       |                   |                    |
| CTDLFF-5R0-4LA | 4     | 5.0             | 0.25            | 0.1                   | 200VDC            |                    |
| CTDLFF-5R0-4LB | 4     | 5.0             | 0.20            | 0.5                   | 200VDC            |                    |
| CTDLFF-5R0-3LA | 3     | 5.0             | 0.25            | 0.1                   | 200VDC            |                    |
| CTDLFF-5R0-3LB | 3     | 5.0             | 0.20            | 0.5                   | 200VDC            |                    |
| CTDLFF-5R0-2LA | 2     | 5.0             | 0.25            | 0.1                   | 200VDC            |                    |
| CTDLFF-5R0-2LB | 2     | 5.0             | 0.20            | 0.5                   | 200VDC            |                    |



### PHYSICAL DIMENSIONS

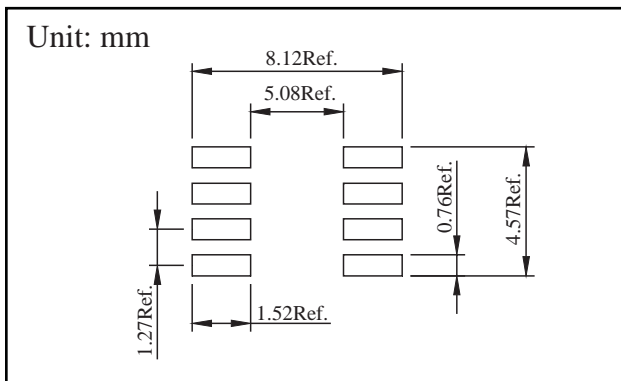
| Size   | A     | B     | C     | D     | E     | F     | G     |
|--------|-------|-------|-------|-------|-------|-------|-------|
|        | Max.  | Max.  | Max.  | Typ.  | Typ.  | Typ.  | Typ.  |
| mm     | 7.6   | 5.7   | 4.0   | 5.6   | 1.27  | 0.3   | 7.1   |
| inches | 0.299 | 0.224 | 0.157 | 0.220 | 0.050 | 0.012 | 0.280 |



### CHARACTERISTICS

- Description:** SMD Data Line EMI Filters
- Applications:** LAN's, telephones, personal computers, electronic games, etc.
- Operating Temperature:** -40°C to +85°C
- Testing:** Inductance is tested on an HP4284A at 1MHz, 0.5V
- Temperature Rise:** 40°C
- Packaging:** Tape & Reel.
- Marking:** Parts are marked with inductance code.
- Miscellaneous:** **RoHS Compliant.**
- Additional Information:** Additional electrical & physical information available upon request.
- Samples available. See website for ordering information.**

### PAD LAYOUT



### CIRCUIT DIAGRAMS

