



4N25, 4N26, 4N27, 4N28, 4N35, 4N36, 4N37, 4N38 H11A1, H11A2, H11A3, H11A4, H11A5 DC Input 6-Pin Phototransistor Optocoupler

Features

- High isolation 5000 VRMS
- CTR flexibility available see order information
- DC input with transistor output
- Operating temperature range - 55 °C to 110 °C
- Regulatory Approvals
 - UL - UL1577 (E364000)
 - VDE - EN60747-5-5(VDE0884-5)
 - CQC – GB4943.1, GB8898
 - IEC60065, IEC60950

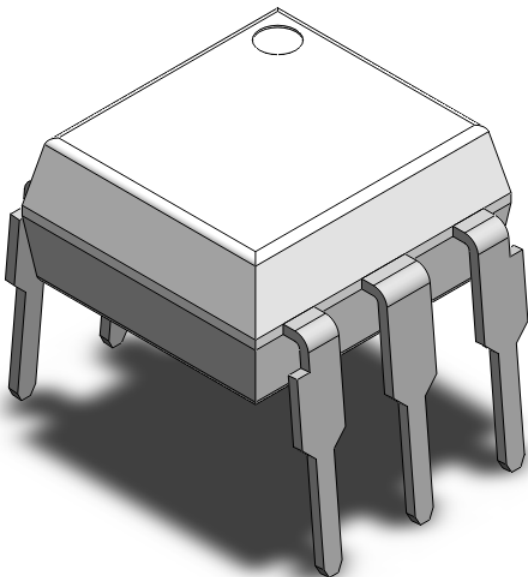
Applications

- Switch mode power supplies
- Computer peripheral interface
- Microprocessor system interface

Description

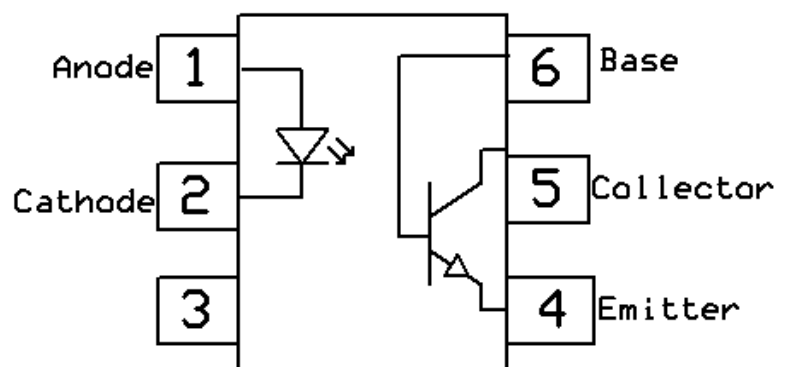
The 4N25, 4N26, 4N27, 4N28, 4N35, 4N36, 4N37, 4N38, H11A1, H11A2, H11A3, H11A4, H11A5 series consists of a photo transistor optically coupled to a gallium arsenide Infrared-emitting diode in a 6-lead DIP package different lead forming options.

Package Outline



Note: Different bending options available. See package dimension.

Schematic





4N25, 4N26, 4N27, 4N28, 4N35, 4N36, 4N37, 4N38
H11A1, H11A2, H11A3, H11A4, H11A5
DC Input 6-Pin Phototransistor Optocoupler

Absolute Maximum Rating at 25°C

Symbol	Parameters	Ratings	Units	Notes
V _{ISO}	Isolation voltage	5000	V _{RMS}	
T _{OPR}	Operating temperature	-55 ~ +110	°C	
T _{STG}	Storage temperature	-55 ~ +150	°C	
T _{SOL}	Soldering temperature	260	°C	
Emitter				
I _F	Forward current	60	mA	
I _{F(TRANS)}	Peak transient current (≤1μs P.W,300pps)	1	A	
V _R	Reverse voltage	6	V	
P _D	Power dissipation	100	mW	
Detector				
P _D	Power dissipation	150	mW	
B _{VCEO}	Collector-Emitter Breakdown Voltage	80	V	
B _{VCBO}	Collector-Base Breakdown Voltage	80	V	
B _{VECO}	Emitter-Collector Breakdown Voltage	7	V	
B _{VEBO}	Emitter-Base Breakdown Voltage	7	V	



4N25, 4N26, 4N27, 4N28, 4N35, 4N36, 4N37, 4N38 H11A1, H11A2, H11A3, H11A4, H11A5 DC Input 6-Pin Phototransistor Optocoupler

Electrical Characteristics $T_A = 25^\circ\text{C}$ (unless otherwise specified)

Emitter Characteristics

Symbol	Parameters	Test Conditions	Min	Typ	Max	Units	Notes
V_F	Forward voltage	$I_F = 10\text{mA}$		1.24	1.4	V	
I_R	Reverse Current	$V_R = 6\text{V}$	-	-	5	μA	
C_{IN}	Input Capacitance	$f = 1\text{MHz}$	-	45	-	pF	

Detector Characteristics

Symbol	Parameters		Test Conditions	Min	Typ	Max	Units	Notes
$B_{V_{CEO}}$	Collector-Emitter Breakdown		$I_C = 0.1\text{mA}$	80	-	-	V	
$B_{V_{ECO}}$	Emitter-Collector Breakdown		$I_E = 0.1\text{mA}$	7	-	-	V	
$B_{V_{CBO}}$	Collector-Base Breakdown		$I_C = 0.1\text{mA}$	80	-	-	V	
$B_{V_{EBO}}$	Emitter-Base Breakdown		$I_E = 0.1\text{mA}$	7	-	-	V	
I_{CEO}	Collector-Emitter	4N25,4N26,4N27,4N28	$V_{CE} = 10\text{V}, I_F = 0\text{mA}$	-	-	50	nA	
	Dark Current	H11A1,A2,A3,A4,A5						
		4N35,4N36,4N37,4N38						
I_{CBO}	Collector-Base Dark Current		$V_{CB} = 10\text{V}, I_F = 0\text{mA}$	-	-	20	nA	

Transfer Characteristics

Symbol	Parameters		Test Conditions	Min	Typ	Max	Units	Notes
CTR	Current Transfer Ratio	4N35, 4N36, 4N37	$I_F = 10\text{mA}, V_{CE} = 10\text{V}$	100	-	-	%	
		4N25,4N26, 4N38, H11A2, H11A3		20	-	-		
		4N27, 4N28, H11A4		10	-	-		
		H11A1		50	-	-		
		H11A5		30	-	-		
$V_{CE(SAT)}$	Collector-Emitter Saturation Voltage	4N25,4N26, 4N27,4N28	$I_F = 50\text{mA}, I_C = 2\text{mA}$	-	-	0.5	V	
		4N35,4N36,4N37	$I_F = 10\text{mA}, I_C = 0.5\text{mA}$	-	-	0.3		
	Saturation Voltage	H11A1,H11A2, H11A3,H11A4,H11A5	$I_F = 10\text{mA}, I_C = 0.5\text{mA}$	-	-	0.4		
		4N38	$I_F = 20\text{mA}, I_C = 4\text{mA}$	-	-	1.0		
R_{IO}	Isolation Resistance		$V_{IO} = 500\text{V}_{DC}$	1×10^{11}			Ω	
C_{IO}	Isolation Capacitance		$f = 1\text{MHz}$		0.25		pF	



4N25, 4N26, 4N27, 4N28, 4N35, 4N36, 4N37, 4N38 H11A1, H11A2, H11A3, H11A4, H11A5 DC Input 6-Pin Phototransistor Optocoupler

Switching Characteristics

Symbol	Parameters	Test Conditions	Min	Typ	Max	Units	Notes	
t_{on}	Turn On Time	4N25,4N26,4N27,4N28 H11A1,A2,A3,A4,A5	$I_F= 10mA, V_{CC}= 10V, R_L=$ 100Ω	-	4.3	9.8	μs	
		4N35,4N36,4N37,4N38	$I_C= 2mA, V_{CC}= 10V, R_L=$ 100Ω	-	9.8	11.5		
t_{off}	Turn Off Time	4N25,4N26,4N27,4N28 H11A1,A2,A3,A4,A5	$I_F= 10mA, V_{CC}= 10V, R_L=$ 100Ω	-	3.9	9.8	μs	
		4N35,4N36,4N37,4N38	$I_C= 2mA, V_{CC}= 10V, R_L=$ 100Ω	-	6.9	11.5		



4N25, 4N26, 4N27, 4N28, 4N35, 4N36, 4N37, 4N38 H11A1, H11A2, H11A3, H11A4, H11A5 DC Input 6-Pin Phototransistor Optocoupler

Typical Characteristic Curves

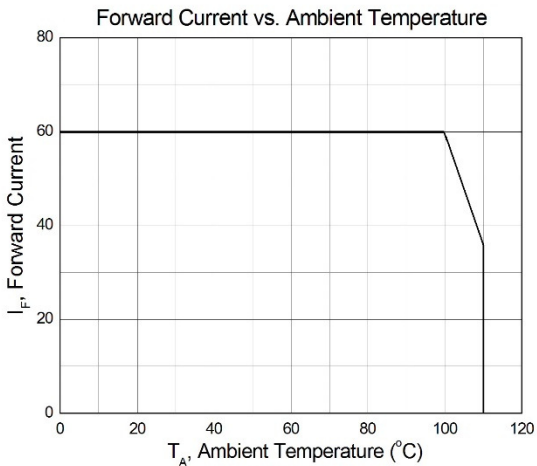


Figure 1

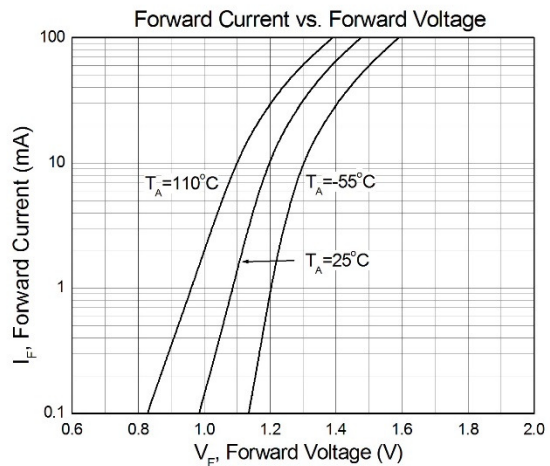


Figure 2

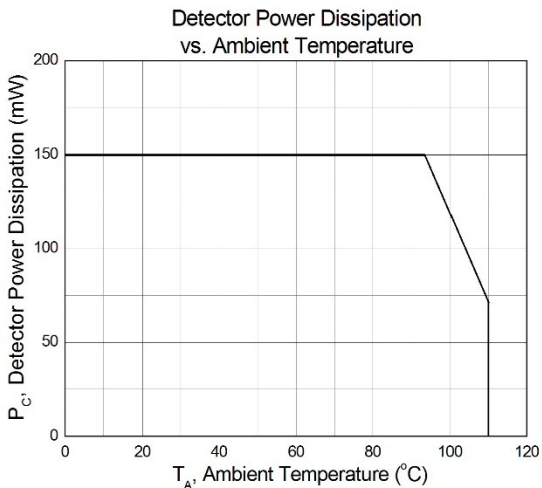


Figure 3

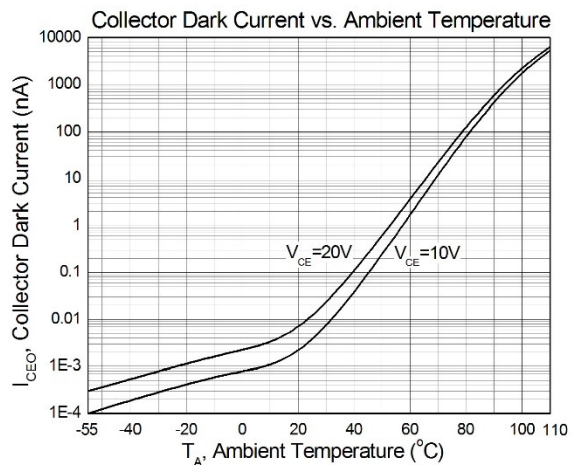


Figure 4

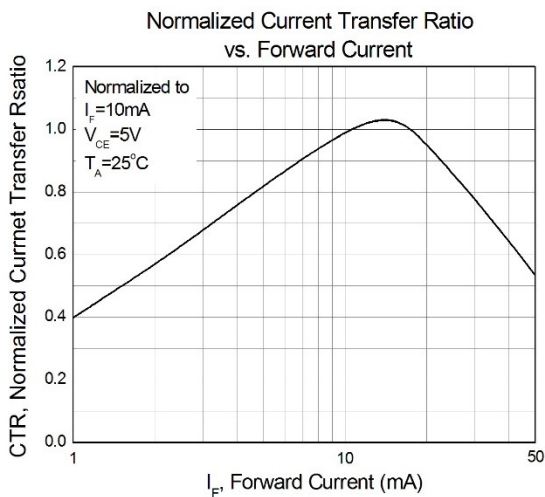


Figure 5

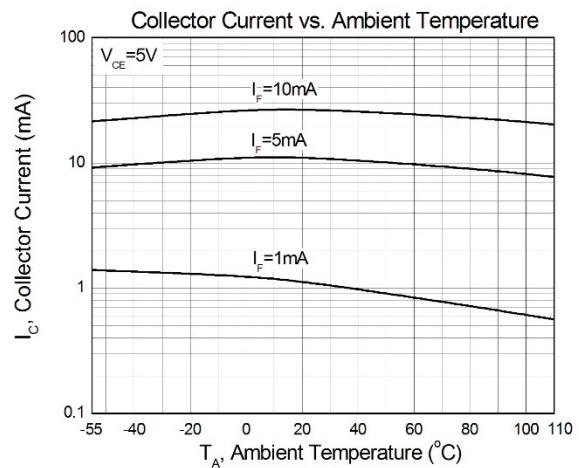


Figure 6



4N25, 4N26, 4N27, 4N28, 4N35, 4N36, 4N37, 4N38 H11A1, H11A2, H11A3, H11A4, H11A5 DC Input 6-Pin Phototransistor Optocoupler

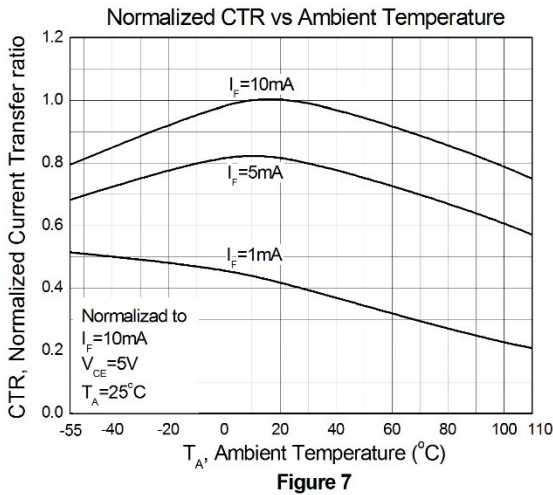


Figure 7

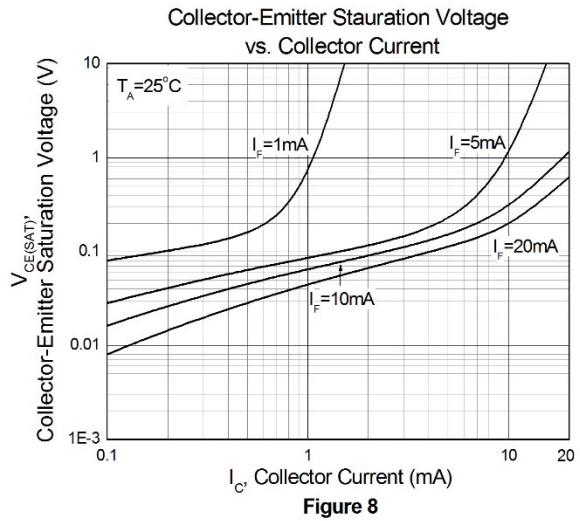


Figure 8

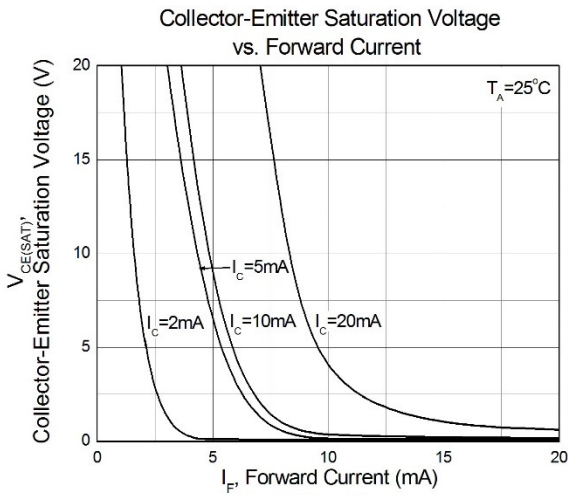


Figure 9

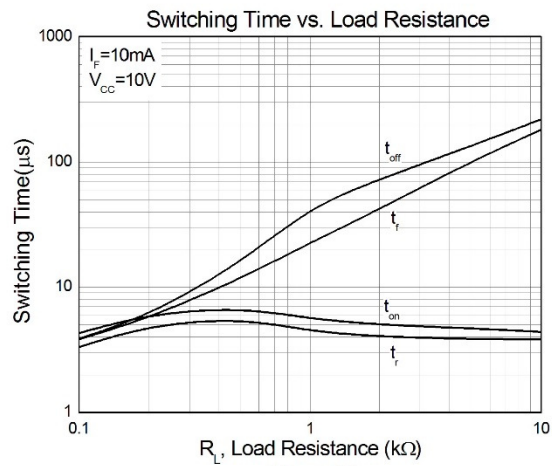


Figure 10

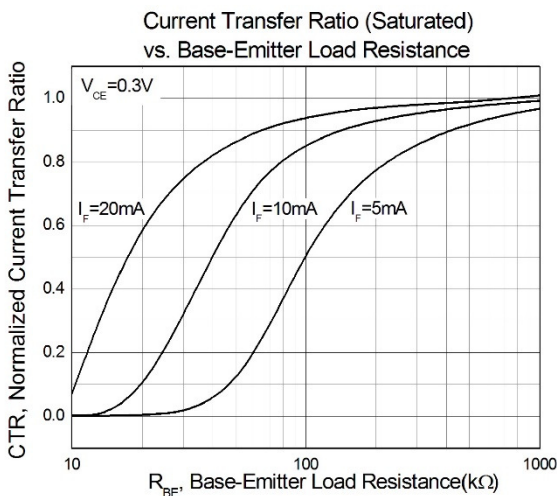


Figure 11

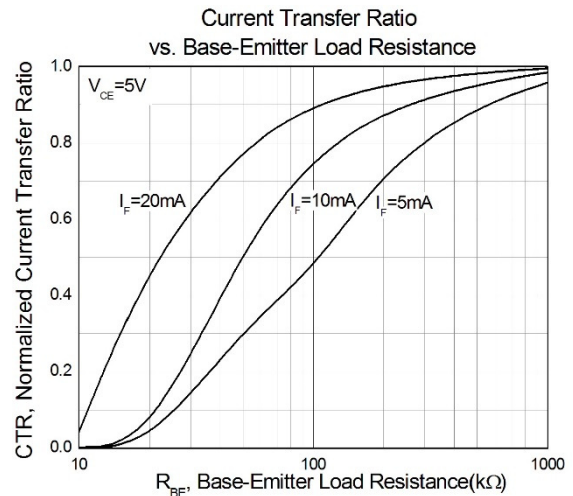


Figure 12



4N25, 4N26, 4N27, 4N28, 4N35, 4N36, 4N37, 4N38 H11A1, H11A2, H11A3, H11A4, H11A5 DC Input 6-Pin Phototransistor Optocoupler

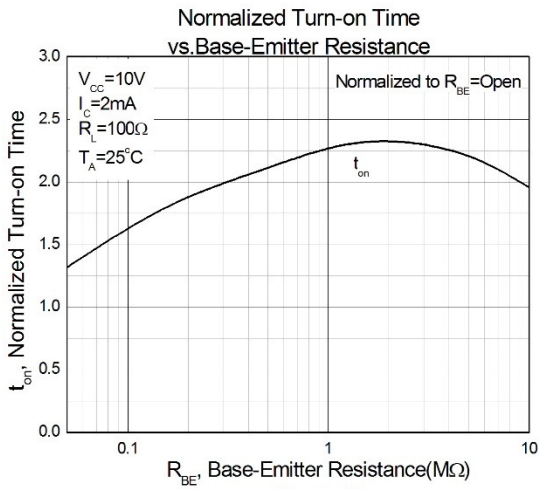


Figure 13

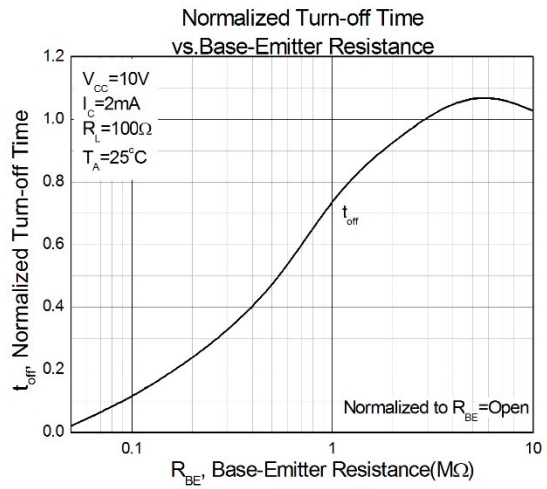


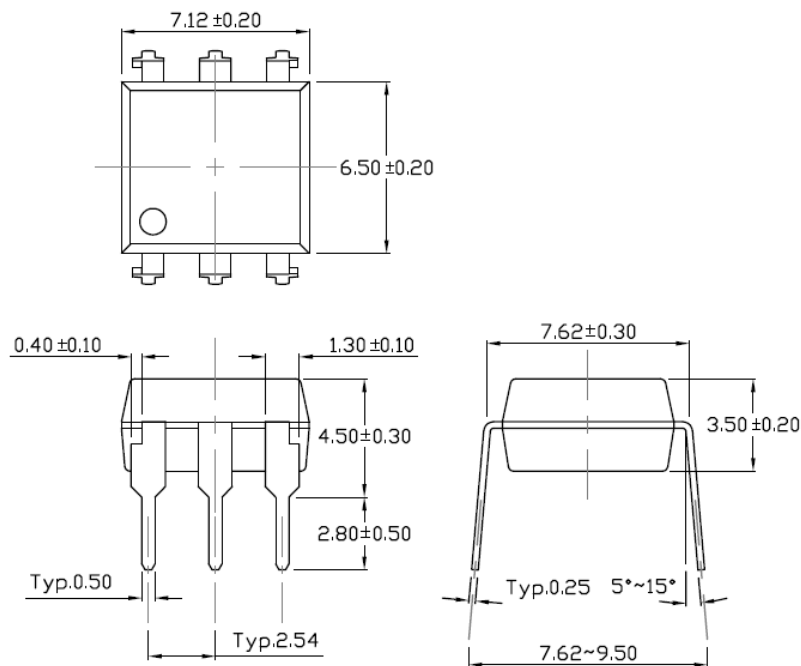
Figure 14



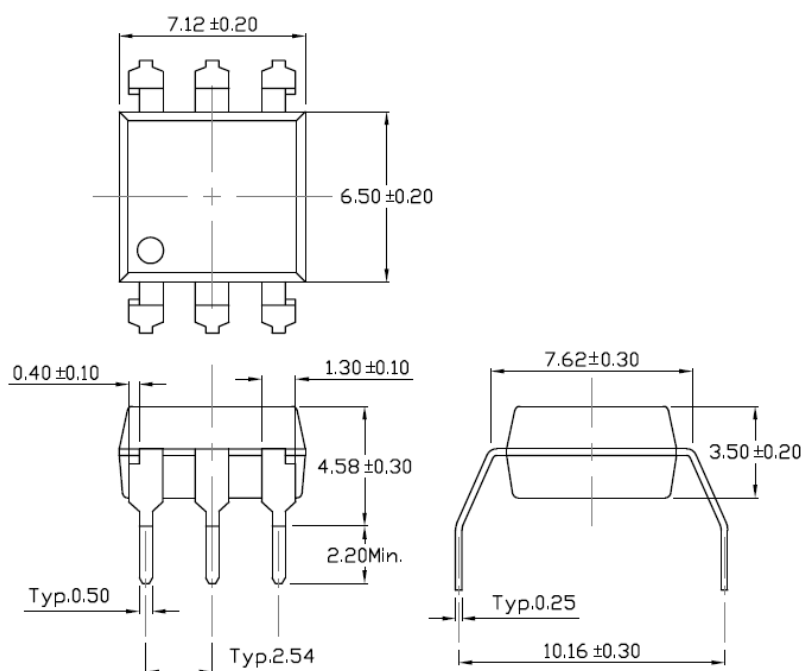
4N25, 4N26, 4N27, 4N28, 4N35, 4N36, 4N37, 4N38 H11A1, H11A2, H11A3, H11A4, H11A5 DC Input 6-Pin Phototransistor Optocoupler

Package Dimension *Dimensions in mm unless otherwise stated*

Standard DIP – Through Hole



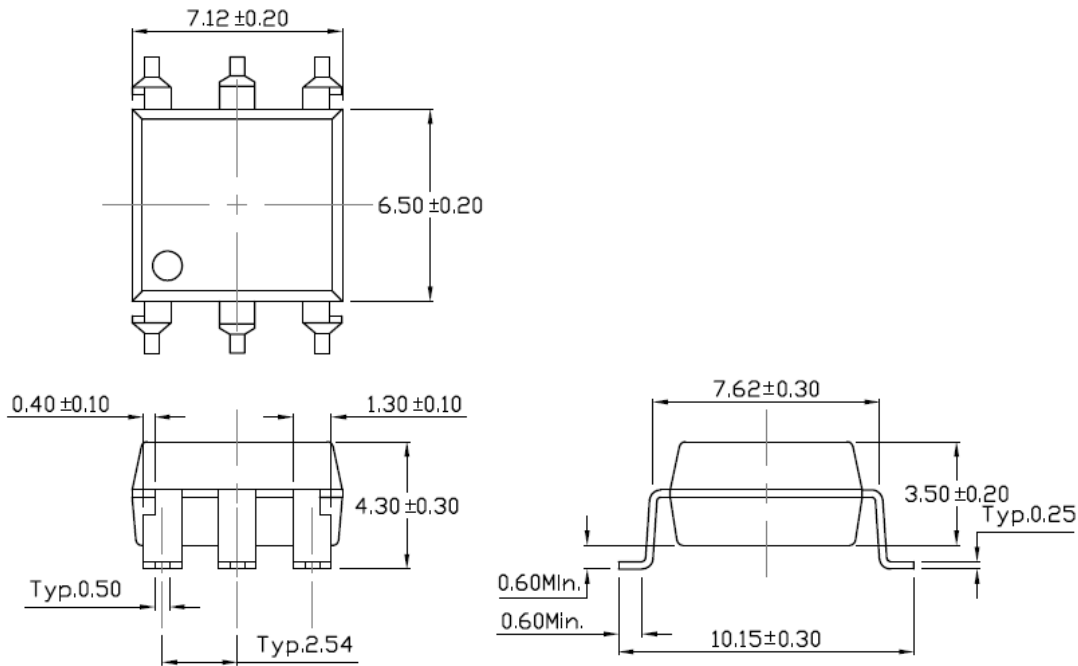
Wide Lead Forming – Through Hole (M Type)



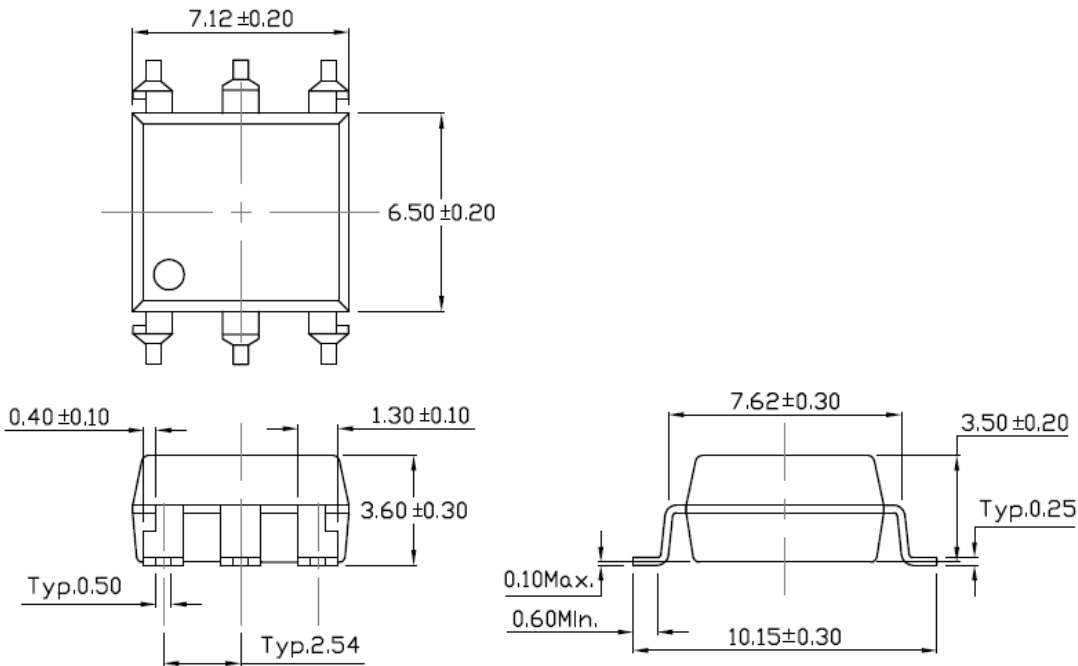


4N25, 4N26, 4N27, 4N28, 4N35, 4N36, 4N37, 4N38 H11A1, H11A2, H11A3, H11A4, H11A5 DC Input 6-Pin Phototransistor Optocoupler

Surface Mount Forming (S Type)



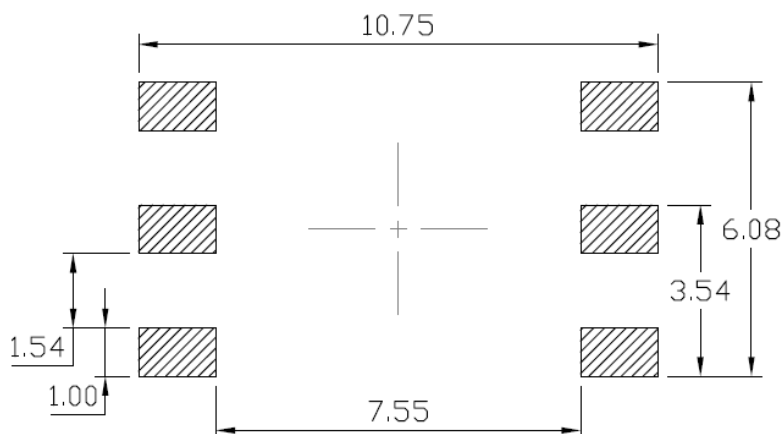
Surface Mount Forming (Low Profile) (SL Type)



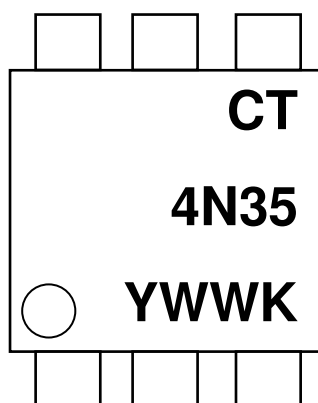


4N25, 4N26, 4N27, 4N28, 4N35, 4N36, 4N37, 4N38 H11A1, H11A2, H11A3, H11A4, H11A5 DC Input 6-Pin Phototransistor Optocoupler

Recommended Solder Mask *Dimensions in mm unless otherwise stated*



Marking Information



Note:

- CT : Denotes "CT Micro"
- 4N35 : Part Number
- Y : Fiscal Year
- WW : Work Week
- K : Manufacturing Code



4N25, 4N26, 4N27, 4N28, 4N35, 4N36, 4N37, 4N38
H11A1, H11A2, H11A3, H11A4, H11A5
DC Input 6-Pin Phototransistor Optocoupler

Ordering Information

4N2X(Y)(Z)-G, 4N3X(Y)(Z)-G

X = Part No. (X=5,6,7 or 8)

Y = Lead form option (S, SL, M or none)

Z = Tape and reel option (T1, T2 or none)

G= Material option (G: Green, None: Non-green)

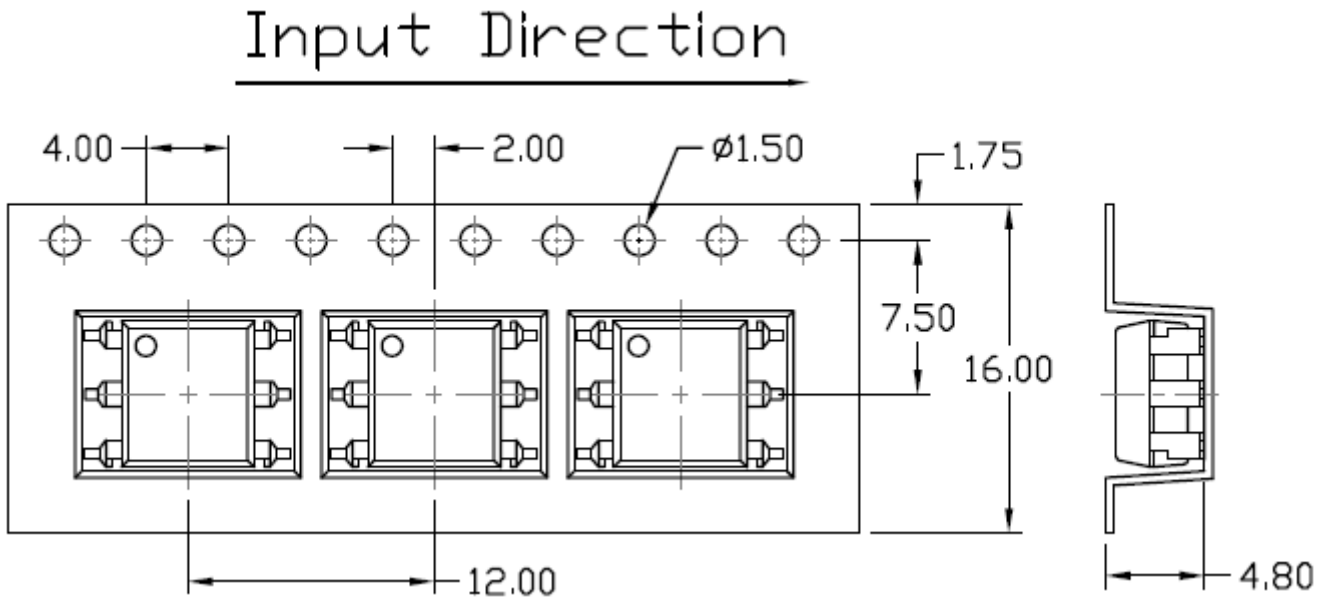
Option	Description	Quantity
None	Standard 6 Pin Dip	65Units/Tube
M	Wide Lead Forming	65Units/Tube
S(T1)	Surface Mount Lead Forming – With Option A Taping	1000 Units/Reel
S(T2)	Surface Mount Lead Forming – With Option B Taping	1000 Units/Reel
SL(T1)	Surface Mount Lead Forming(Low Profile) – With Option A Taping	1000 Units/Reel
SL(T2)	Surface Mount Lead Forming(Low Profile) – With Option B Taping	1000 Units/Reel



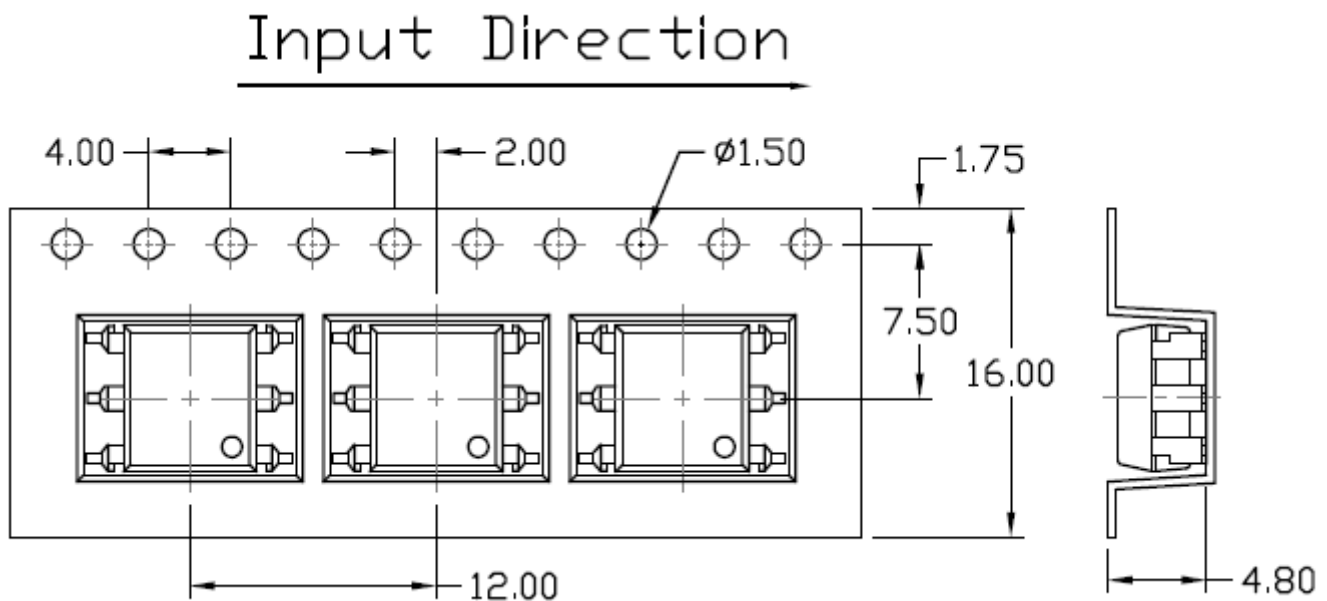
4N25, 4N26, 4N27, 4N28, 4N35, 4N36, 4N37, 4N38
H11A1, H11A2, H11A3, H11A4, H11A5
DC Input 6-Pin Phototransistor Optocoupler

Carrier Tape Specifications *Dimensions in mm unless otherwise stated*

Option S(T1) & SL(T1)



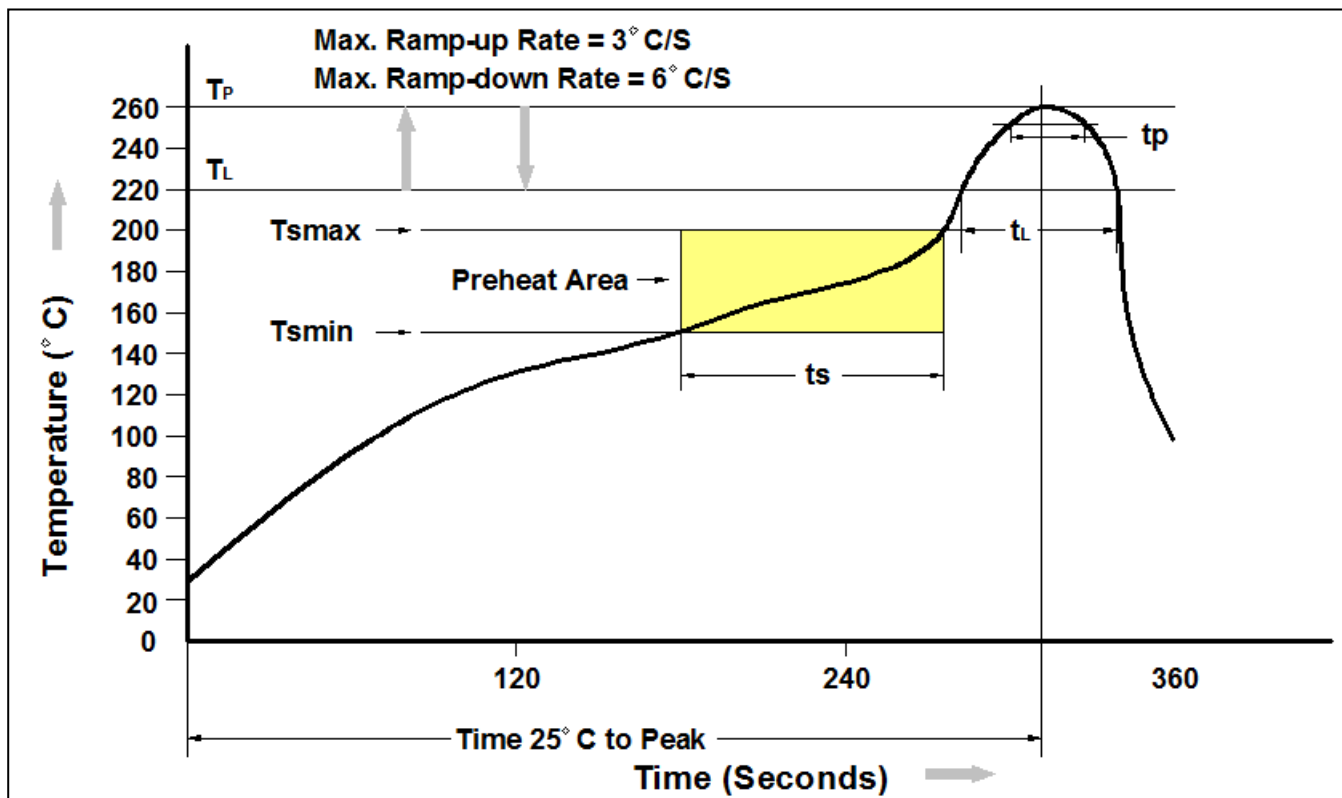
Option S(T2) & SL(T2)





4N25, 4N26, 4N27, 4N28, 4N35, 4N36, 4N37, 4N38
H11A1, H11A2, H11A3, H11A4, H11A5
DC Input 6-Pin Phototransistor Optocoupler

Reflow Profile



Profile Feature	Pb-Free Assembly Profile
Temperature Min. (Tsmín)	150°C
Temperature Max. (Tsmáx)	200°C
Time (ts) from (Tsmín to Tsmáx)	60-120 seconds
Ramp-up Rate (tL to tP)	3°C/second max.
Liquidous Temperature (TL)	217°C
Time (tL) Maintained Above (TL)	60 – 150 seconds
Peak Body Package Temperature	260°C +0°C / -5°C
Time (tP) within 5°C of 260°C	30 seconds
Ramp-down Rate (TP to TL)	6°C/second max
Time 25°C to Peak Temperature	8 minutes max.



4N25, 4N26, 4N27, 4N28, 4N35, 4N36, 4N37, 4N38 H11A1, H11A2, H11A3, H11A4, H11A5 DC Input 6-Pin Phototransistor Optocoupler

DISCLAIMER

CT MICRO RESERVES THE RIGHT TO MAKE CHANGES WITHOUT FURTHER NOTICE TO ANY PRODUCTS HEREIN TO IMPROVE RELIABILITY, FUNCTION OR DESIGN. CT MICRO DOES NOT ASSUME ANY LIABILITY ARISING OUT OF THE APPLICATION OR USE OF ANY PRODUCT OR CIRCUIT DESCRIBED HEREIN; NEITHER DOES IT CONVEY ANY LICENSE UNDER ITS PATENT RIGHTS, NOR THE RIGHTS OF OTHERS.

DISCOLORATION MIGHT OCCUR ON THE PACKAGE SURFACE AFTER SOLDERING, REFLOW OR LONG TERM USE. THIS DOES NOT IMPACT THE PRODUCT PERFORMANCE NOR THE PRODUCT RELIABILITY.

CT MICRO ARE NOT AUTHORIZED FOR USE AS CRITICAL COMPONENTS IN LIFE SUPPORT DEVICES OR SYSTEMS WITHOUT EXPRESS WRITTEN APPROVAL OF CT MICRO INTERNATIONAL CORPORATION.

- 1. Life support devices or systems are devices or systems which, (a) are intended for surgical implant into the body, or (b) support or sustain life, or (c) whose failure to perform when properly used in accordance with instruction for use provided in the labelling, can be reasonably expected to result in significant injury to the user.*
- 2. A critical component is any component of a life support device or system whose failure to perform can be reasonably expected to cause the failure of the life support device or system, or to affect its safety or effectiveness.*