

CGA8M4NP02J333J200KA

TDK Item Description : CGA8M4NP02J333T****



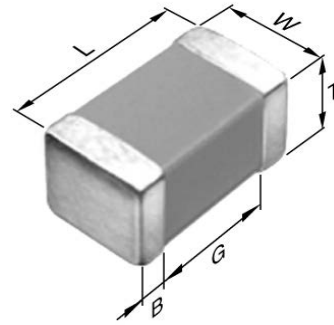
Equivalent C4532NP02J333J for Automotive

Application & Main Feature

Automotive Grade (High Temperature Application)

Series

CGA8(4532) [EIA CC1812]



Dimensions

L	4.50mm +/-0.4mm
W	3.20mm +/-0.4mm
T	2.00mm +/-0.2mm
B	0.20mm Min.
G	

Temperature Characteristic

NP0 (-55 to 150 degC 0+/-30ppm/degC)

Rated Voltage

2J (630Vdc)

Capacitance

33nF

Capacitance Tolerance

J (+/-5%)

Q Factor

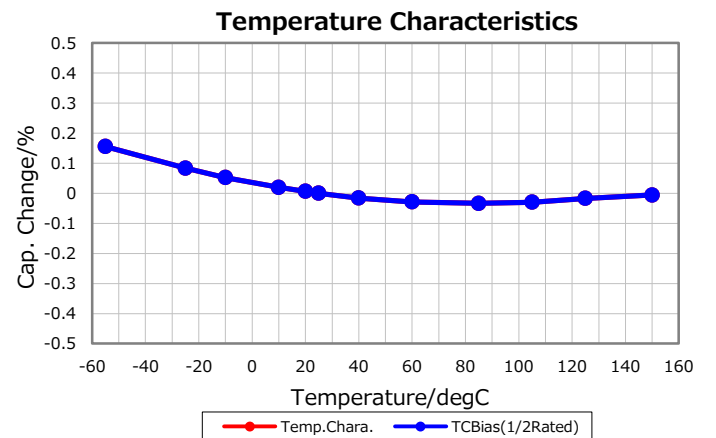
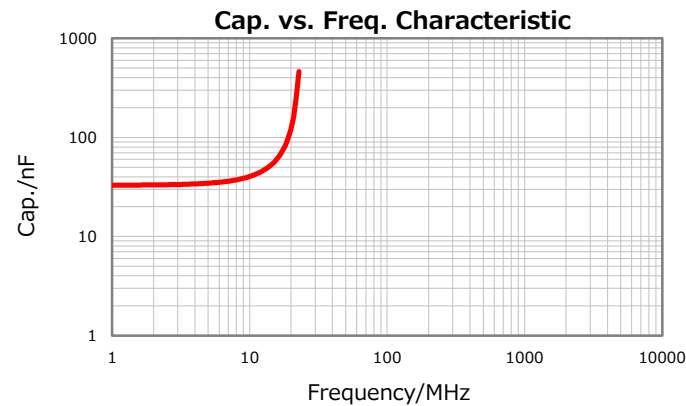
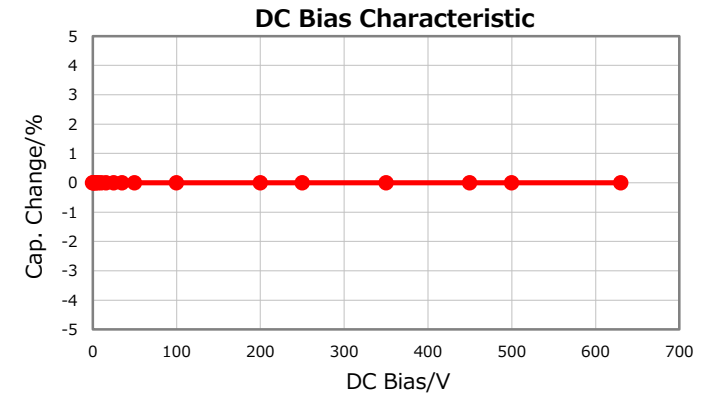
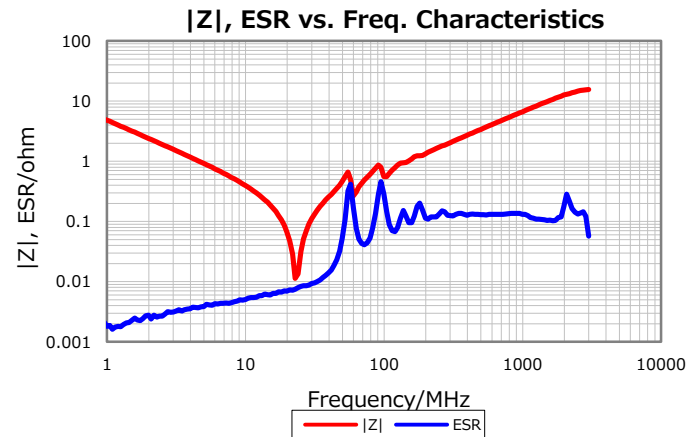
1000 Min.

Insulation Resistance

10Gohm Min

AEC-Q200

Yes



Characterization Sheet (Multilayer Ceramic Chip Capacitors)



All specifications are subject to change without notice.

April 13, 2016